

REVISIONS

1.
2.
3.
4.
5.
6.
7.
8.
9.
10.

ALL AREAS, DIMENSIONS, ARRANGEMENTS, AND PLANS INDICATED OR REPRESENTED BY THIS DRAWING ARE OWNED BY AND PROPERTY OF THE OFFICE, AND WHEN CREATED, EVALUATED, AND DEVELOPED FOR USE, AND IN CONNECTION WITH THE SPECIFIED PROJECT, NONE OF SUCH AREAS, DIMENSIONS, ARRANGEMENTS, AND PLANS SHALL BE USED BY OR DISCLOSED TO ANY PERSON, FIRM, OR CORPORATION FOR ANY PURPOSE WITHOUT WRITTEN PERMISSION OF RWB LINARES ARCHITECTURE, INC.

LIFE FELLOWSHIP
11401 WEST SAMPLE ROAD
CORAL SPRINGS, FL. 33065

1600 SOUTH DIXIE HWY., SUITE 400
BOCA RATON, FLORIDA 33432
PHONE 561-391-0081 FAX 561-391-0085
EMAIL mail@rwb-arch.com

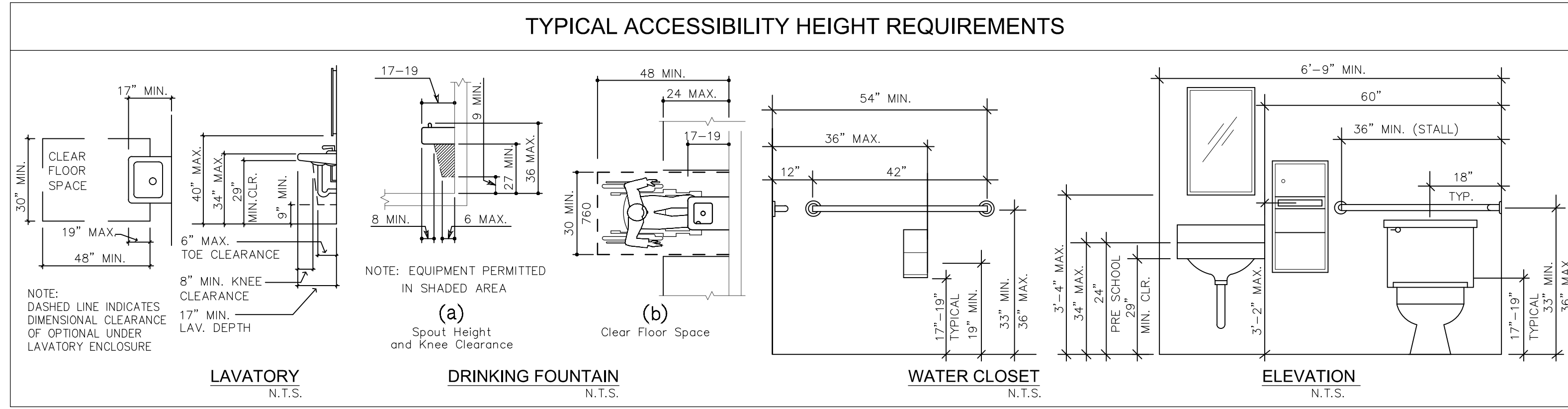
RWB
Linare
ARCHITECTURE

PROJECT # 14-067
DATE 05-19-16
SHEET #

A6.0

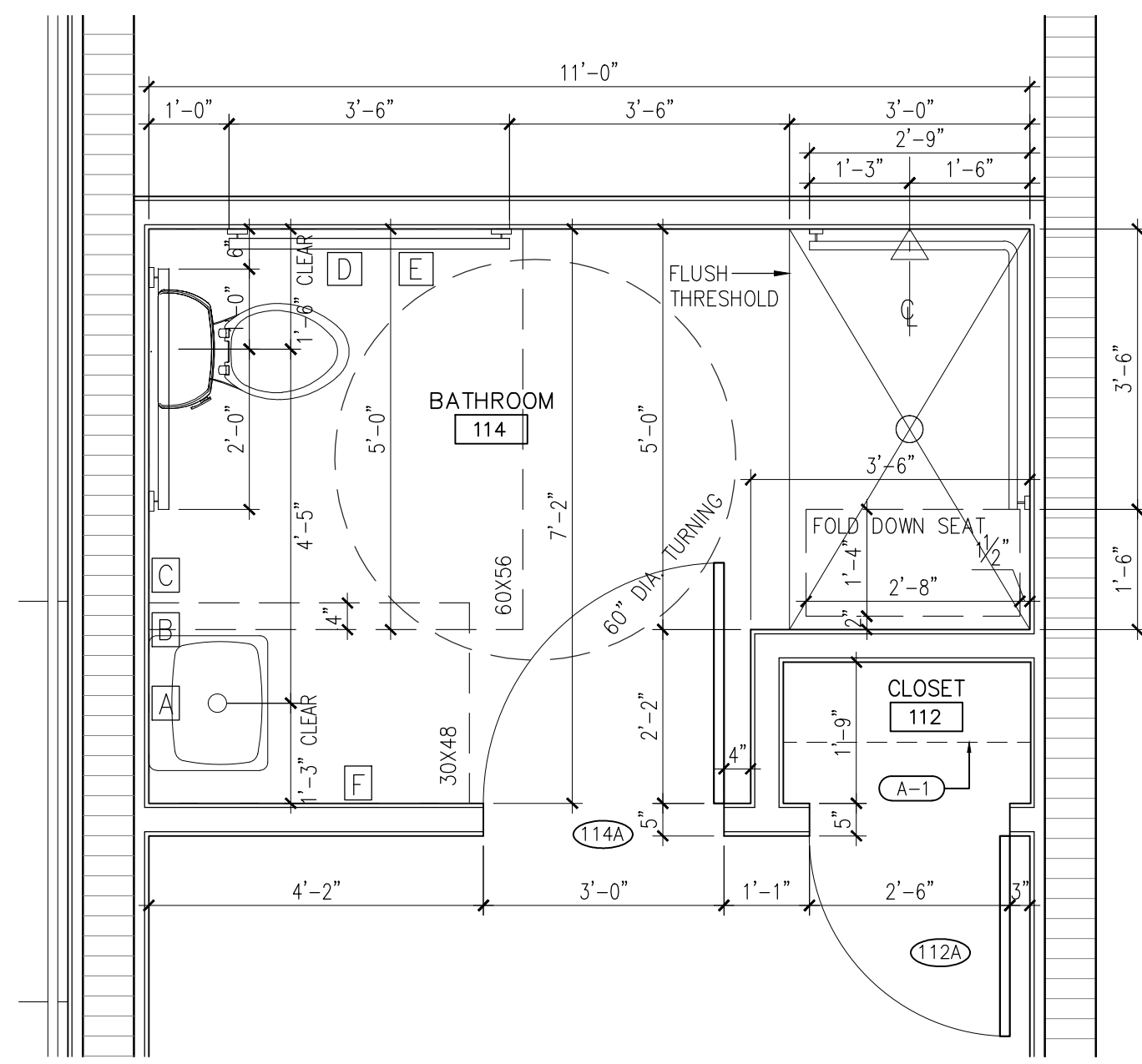
JUAN C. LINARES

AA26000640

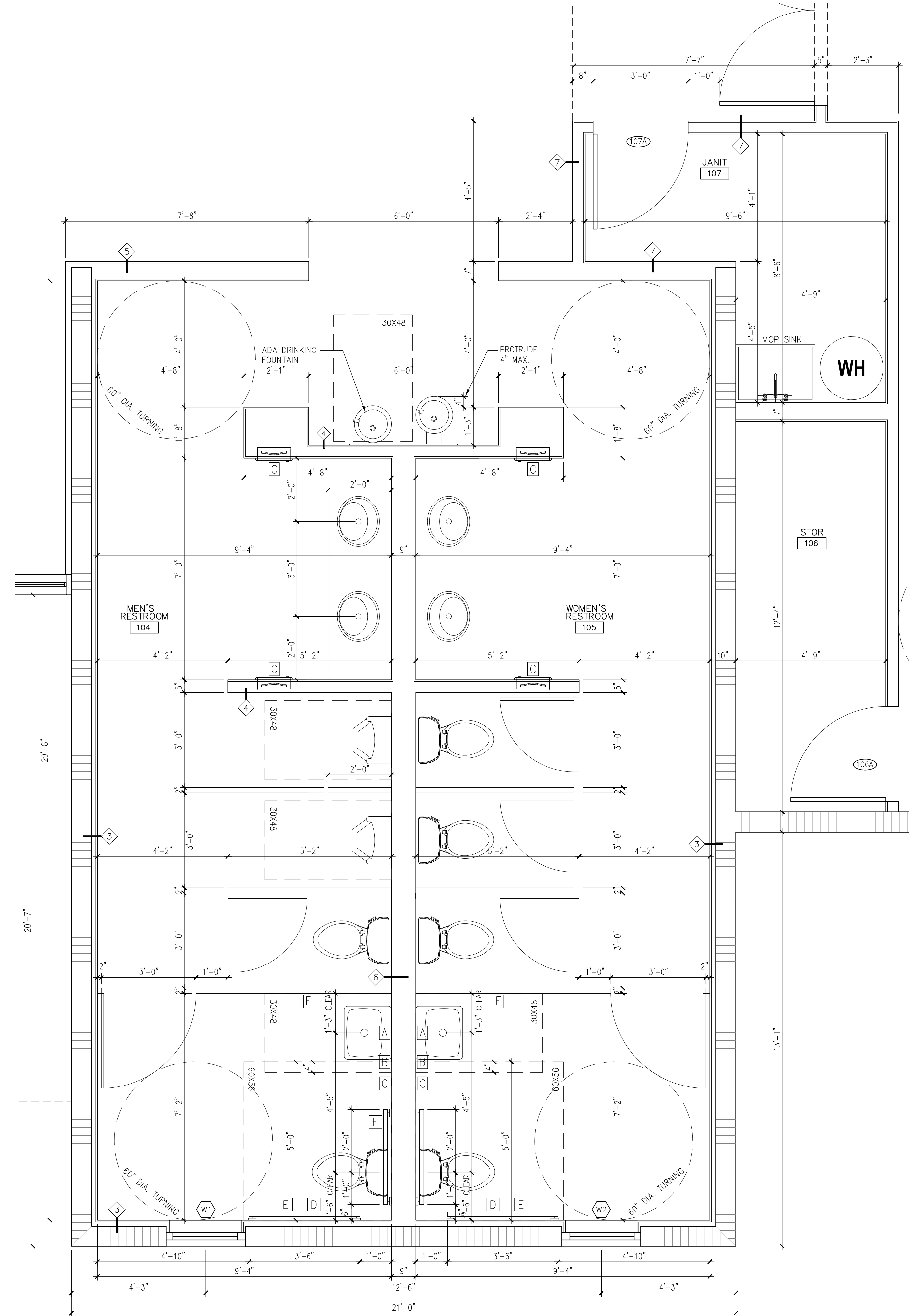


BATH ACCESSORIES SCHEDULE	
SYMBOL	SPECIFICATION
	MFR: BOBRICK MODEL: #B165-2430 MIRROR W/ STAINLESS STEEL FRAME
	MFR: BOBRICK MODEL: #B412 SURFACE MOUNTED SOAP DISPENSER
	MFR: BOBRICK MODEL: #B462 RECESSED MOUNTED PAPER TOWEL DISPENSER
	MFR: BOBRICK MODEL: #B463 SURFACE MOUNTED TISSUE DISPENSER
	MFR: BOBRICK MODEL: #B 550X36 & 42 SURFACE MOUNTED GRAB BARS SAFETY GRIP FINISH - MOUNT SECURELY w/ SOLID BLOCKING
	MFR: BY ID MODEL: MOVABLE FLOOR-BY OWNER 12" DIA X 24" H WAST PAPER BIN

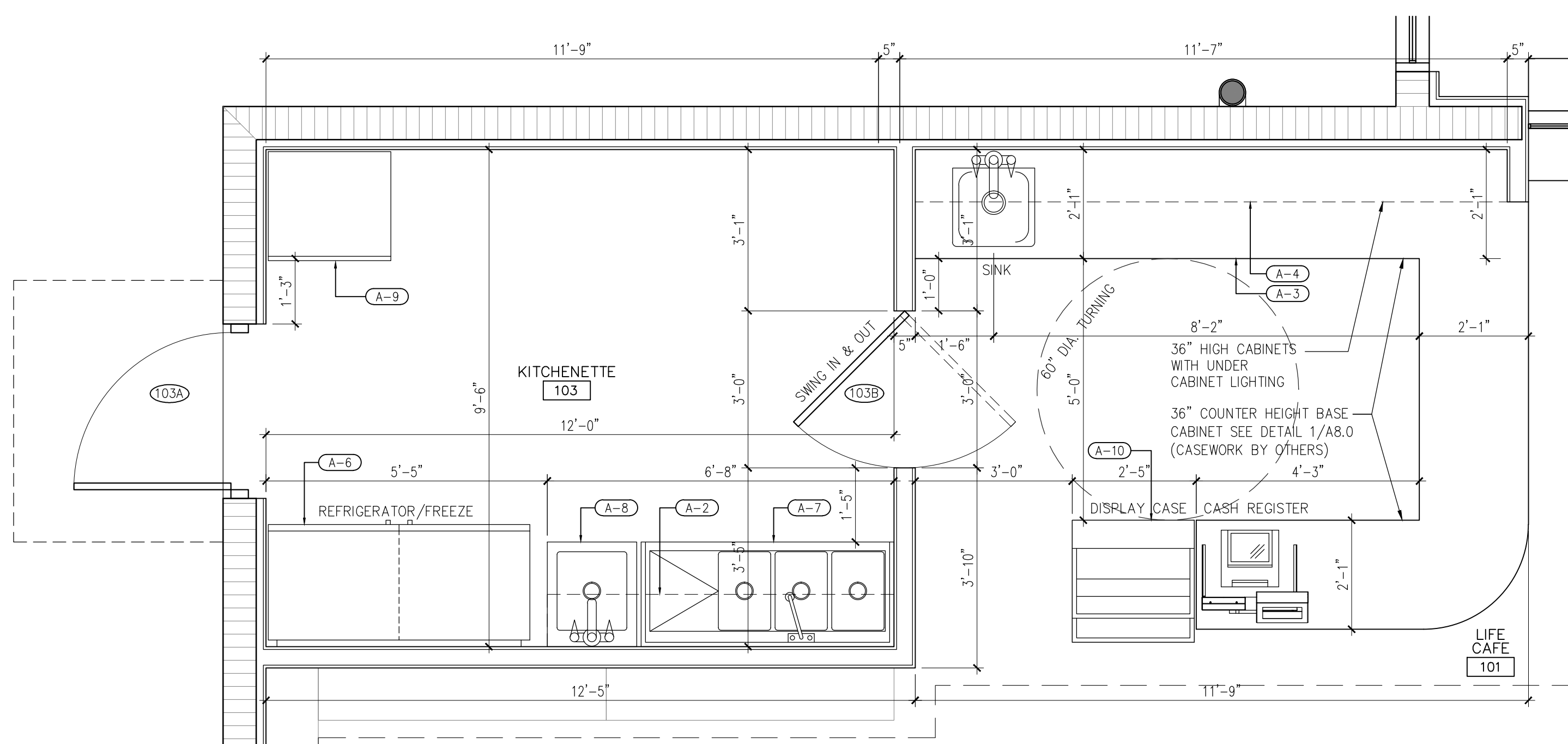
NOTE: ALTERNATE SCHEDULE ACCEPTABLE, CONTRACTOR TO SUBMIT SUBMITTALS FOR REVIEW PRIOR TO PROCUREMENT AND INSTALLATION.
SEE TYPICAL ACCESSIBILITY HEIGHT REQUIREMENTS FOR ADDITIONAL ACCESSIBILITY MOUNTING SPECIFICATIONS.
ALL DIMENSIONS ARE TO CENTERLINE OF STUD FOR NEW PARTITIONS AND FACE OF FINISHED WALL FOR EXISTING PARTITIONS.
PROVIDE 2x6 DIMENSIONED BLOCKING IN PARTITIONS TO RECEIVE WALL MOUNTED FIXTURES, CABINERY AND SHELVING.
INSULATE ALL EXPOSED PIPES.



2 ENLARGED RESTROOM
SCALE: 1/2" = 1'-0"



1 ENLARGED RESTROOM
SCALE: 1/2" = 1'-0"



3 ENLARGED KITCHEN / BAR
SCALE: 1/2" = 1'-0"