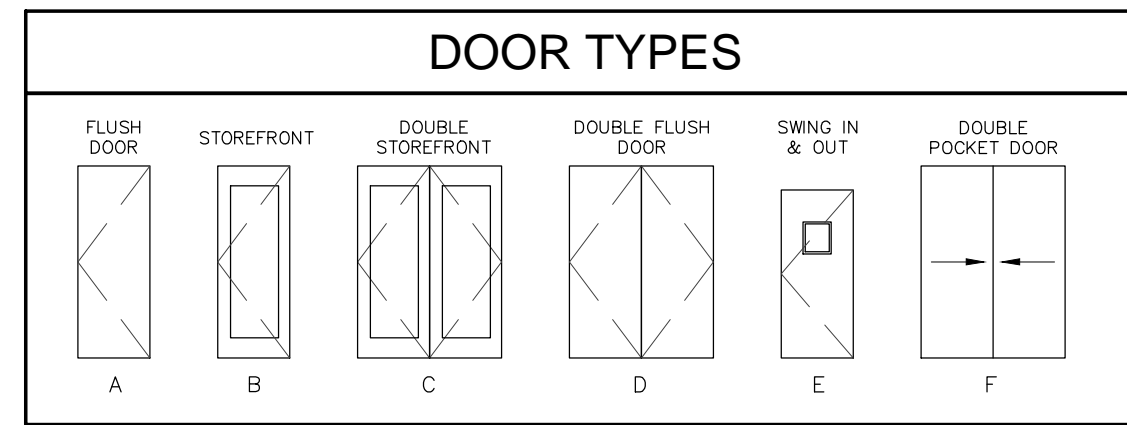
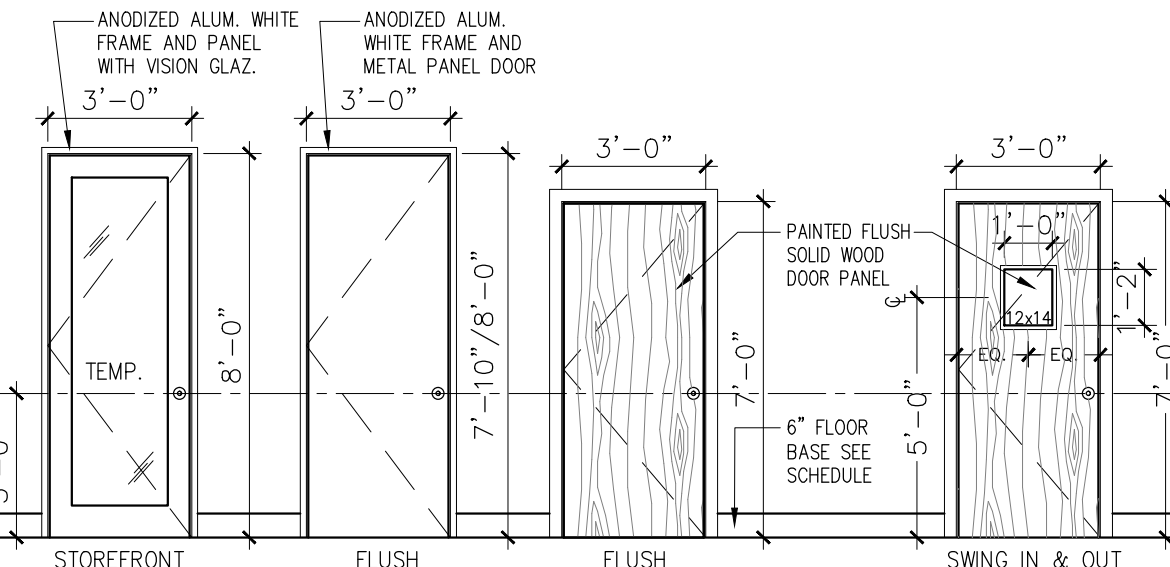


EXTERIOR DOOR SCHEDULE										
MK	DOOR SIZE	TYPE	MATERIAL	FRAME	THICK	FIRE LABEL	HARDWARE SET	LOC.	NOTES	WIND PRESSURE
100A	(2)3'-0"x8'-0"	C	HC/MTL/GL	MTL	1-3/4"	-	1	EXT.		
100B	(2)3'-0"x8'-0"	C	HC/MTL/GL	MTL	1-3/4"	-	1	EXT.		
100C	(2)3'-0"x8'-0"	C	HC/MTL/GL	MTL	1-3/4"	-	1	EXT.		
100D	(2)3'-0"x8'-0"	C	HC/MTL/GL	MTL	1-3/4"	-	1	EXT.		
100E	(2)3'-0"x8'-0"	C	HC/MTL/GL	MTL	1-3/4"	-	1	EXT.		
101A	3'-0"x8'-0"	B	HC/MTL/GL	MTL	1-3/4"	-	1	EXT.		
101B	(2)3'-0"x8'-2"	F	SOLID WOOD	WOOD	1-3/4"	-	1	INT.	POCKET DOOR SEE DETAIL 15/A7.0	
103A	3'-0"x8'-0"	A	HC/MTL	MTL	1-3/4"	-	1	EXT.		
103B	3'-0"x7'-0"	E	SOLID WOOD/GL	MTL	-	-	1	INT.	SWING IN & OUT GLASS 12x14	
106A	3'-0"x7'-0"	A	SOLID WOOD	MTL	-	-	3	INT.		
107A	3'-0"x7'-0"	A	SOLID WOOD	MTL	-	-	3	INT.	SMOKE DOOR	
108A	2'-6"x7'-0"	A	SOLID WOOD	MTL	-	-	2	INT.	SMOKE DOOR	
109A	3'-0"x8'-0"	B	HC/MTL/GL	MTL	1-3/4"	-	1	INT.		
109B	3'-0"x7'-0"	A	SOLID WOOD	MTL	-	-	2	INT.	SMOKE DOOR	
110A	(2)3'-0"x7'-0"	A	SOLID WOOD	MTL	-	-	7	INT.	SMOKE DOOR	
110B	(2)3'-0"x7'-0"	A	SOLID WOOD	MTL	-	-	7	INT.	SMOKE DOOR	
110C	3'-0"x7'-10"	A	HC/MTL	MTL	1-3/4"	-	1	EXT.		
110D	3'-0"x7'-10"	A	HC/MTL	MTL	1-3/4"	-	1	EXT.		
110E	(2)3'-0"x7'-10"	D	HC/MTL	MTL	1-3/4"	-	1	EXT.		
110F	3'-0"x7'-10"	A	HC/MTL	MTL	1-3/4"	-	1	EXT.		
111A	(2)3'-0"x7'-0"	A	SOLID WOOD	MTL	-	-	3	INT.		
112A	2'-6"x7'-0"	A	SOLID WOOD	WD	-	-	5	INT.		
113A	3'-0"x7'-0"	A	SOLID WOOD	MTL	-	-	2	INT.		
114A	3'-0"x7'-0"	A	SOLID WOOD	MTL	-	-	4	INT.		
115A	(2)3'-0"x8'-0"	D	HC/MTL	MTL	1-3/4"	-	6	EXT.		
116A	(2)3'-0"x7'-0"	A	SOLID WOOD	MTL	-	-	7	INT.		
116B	(2)3'-0"x8'-0"	C	HC/MTL/GL	MTL	1-3/4"	-	1	EXT.		



**NOTE:**  
 ALL DOORS WITH GLASS TO BE TEMPERED.  
 ALL FIRE RATED DOOR ASSEMBLY TO HAVE LABELS FROM MANUFACTURERS BEFORE FIELD INSTALLATION.  
 ALL FIRE RATED DOORS TO HAVE CLOSERS AND AN ACTIVE LATCH THAT WILL SECURE DOOR WHEN CLOSED TO COMPLY WITH SECTION 715.3.7 OF THE 2014 FLORIDA BUILDING CODE (SEE DOOR SCHEDULE AND NOTES).  
 ALL EGRESS DOORS EQUIPPED WITH PANIC HARDWARE TO COMPLY WITH SECTION 1008.1.9 OF THE 2014 FLORIDA BUILDING CODE (SEE DOOR SCHEDULE AND NOTES).  
 \* NOTE TO SUBCONTRACTORS - PLEASE VERIFY AND RECOMMEND IF THE PREFERABLE ROUGH OPENING SIZE MEETS PRODUCT APPROVAL.



DOOR ELEVATIONS

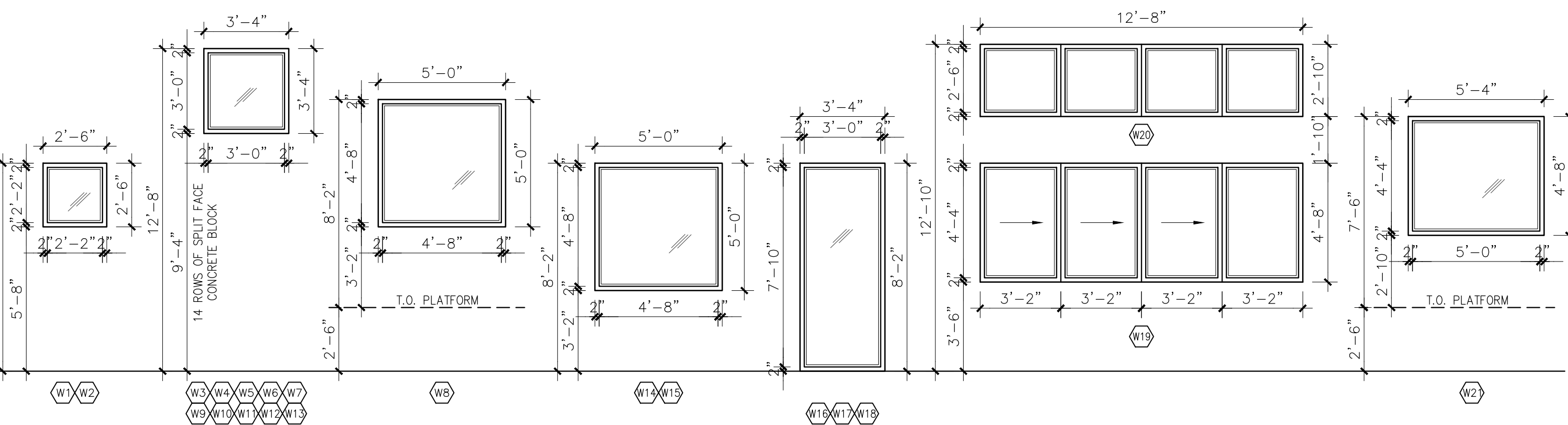
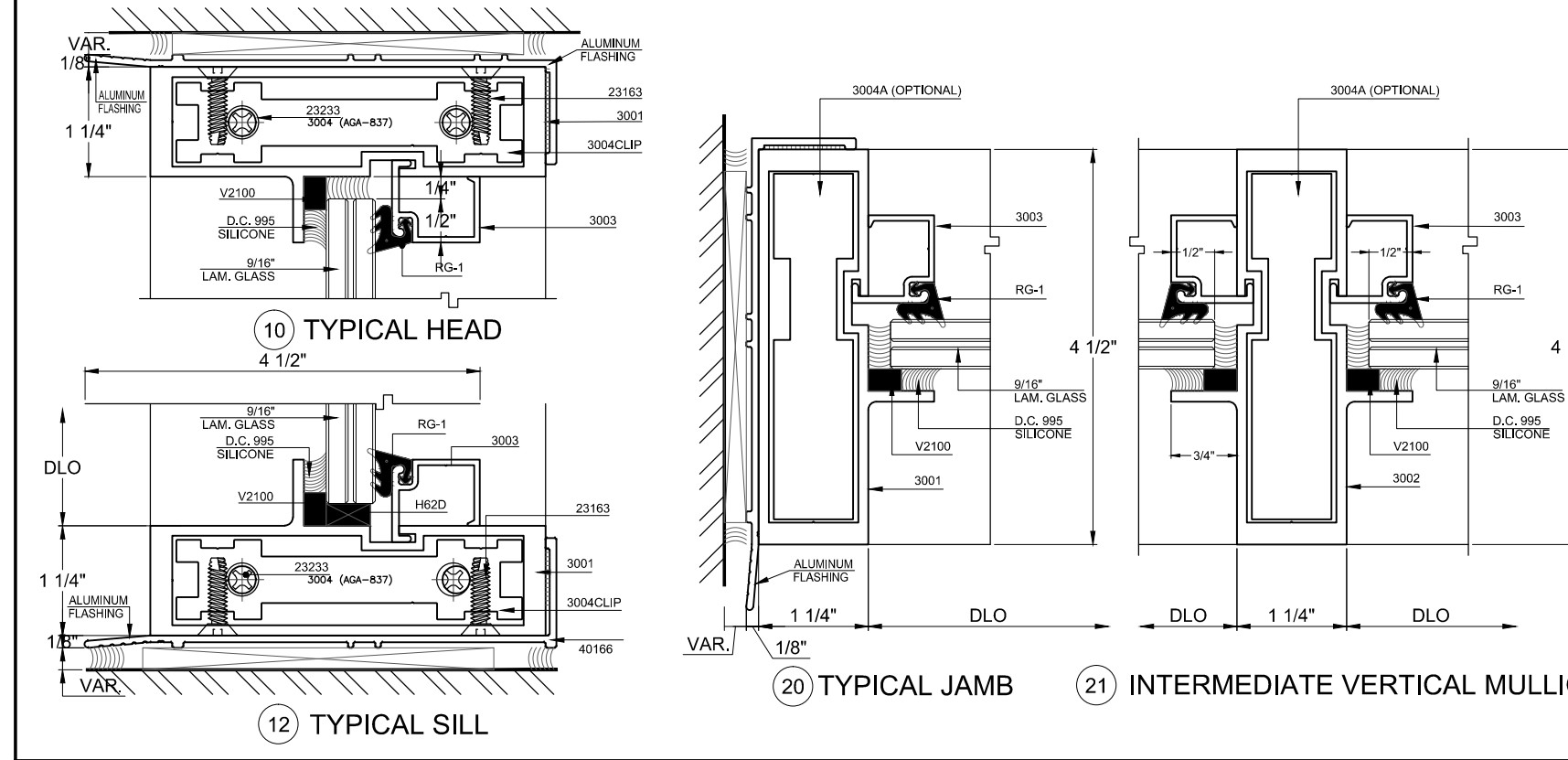
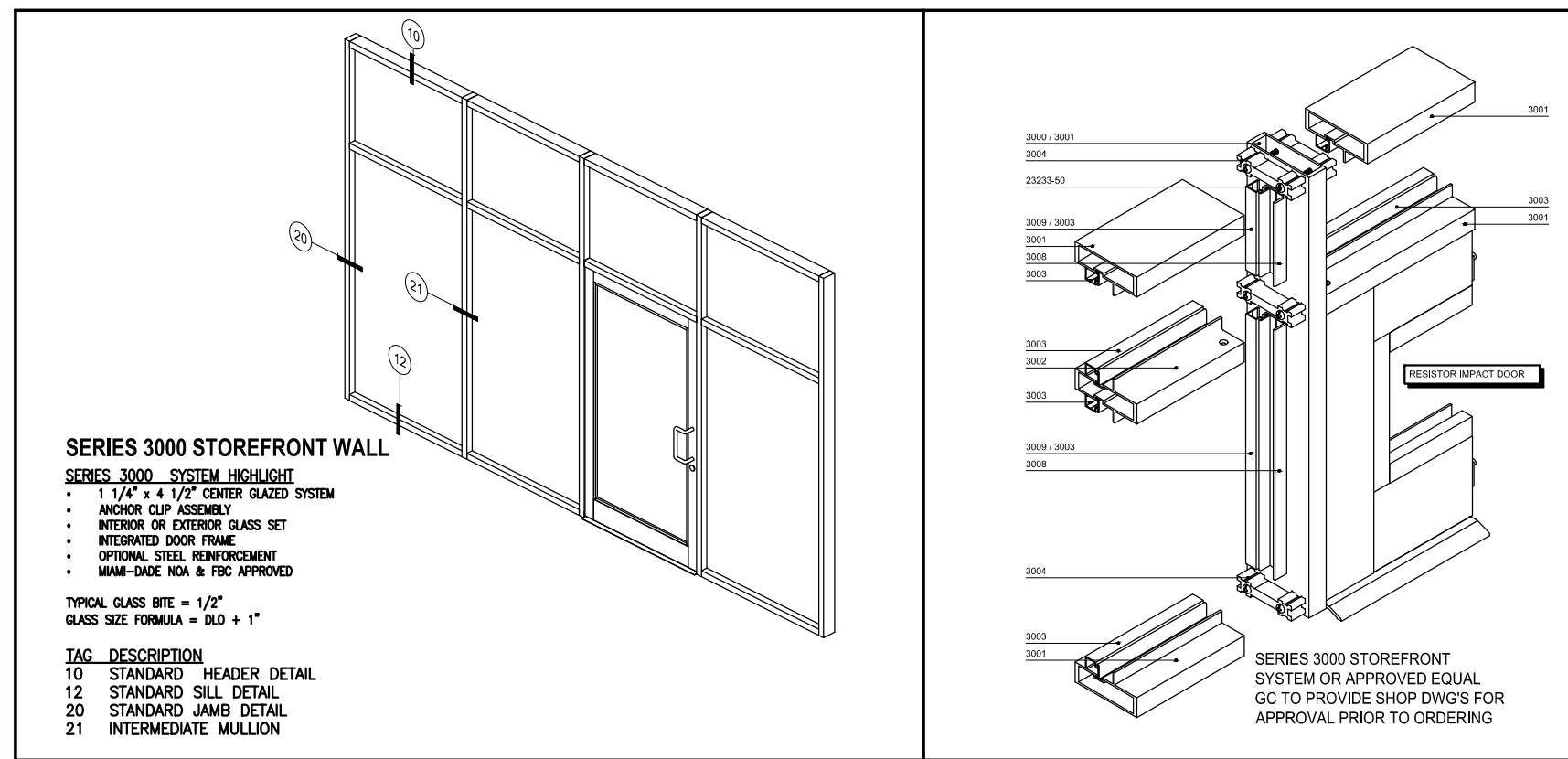
**NOTES:**  
 CONTRACTOR TO PROVIDE DOOR AND HARDWARE SUBMITTALS FOR ARCHITECT AND OWNER REVIEW AND APPROVAL PRIOR TO PROCUREMENT AND INSTALLATION.  
 1) ALL HARDWARE SHALL COMPLY WITH ADA REQUIREMENTS. FORCE REQUIRED TO OPERATE DOORS SHALL MEET ADA REQUIREMENTS.  
 2) MAXIMUM EFFORT TO OPERATE INTERIOR DOORS SHALL BE NOT GREATER THAN 5 POUNDS APPLIED AT RIGHT ANGLES TO THE HINGES AND AT THE CENTER OF THE DOOR PLANE.  
 3) G.C. TO PROVIDE AND INSTALL ALL DOOR HARDWARE.  
 4) ALL EGRESS DOORS WITH LOOKS SHALL RELEASE WITH OPERATION OF LEVER ON EGRESS SIDE OF DOORS.

DOOR HARDWARE		
HW	TYPE	FUNCTIONS
1	STOREFRONT	ALUM. PULLS EACH SIDE, CLOSER, DEADBOLT (INTERIOR THUMB/LEVER RELEASE) CLOSER STOP
2	OFFICE	CYLINDER LOCK, LEVER RELEASE INTERIOR, FLOOR STOP, SILENCERS
3	INT STORAGE	CLOSER, RUBBER SILENCERS, LEVER UTILITY KEY LOCK, CLOSER TO SET STOP, THRESHOLD
4	PRIVACY	PRIVACY SET, CLOSER, FLOOR STOP, SILENCERS
5	LOCK SET	LOCK SET, CLOSER, FLOOR STOP, SILENCERS
6	EXIT UTILITY	CLOSER, WEATHER STRIP & SWEEP, LEVER UTILITY KEY LOCK, CLOSER TO SET STOP, THRESHOLD
7	PRIVACY	PANIC PUSH BAR EGRESS, LEVER WITH LATCH INGRESS, CLOSER TO SET STOP

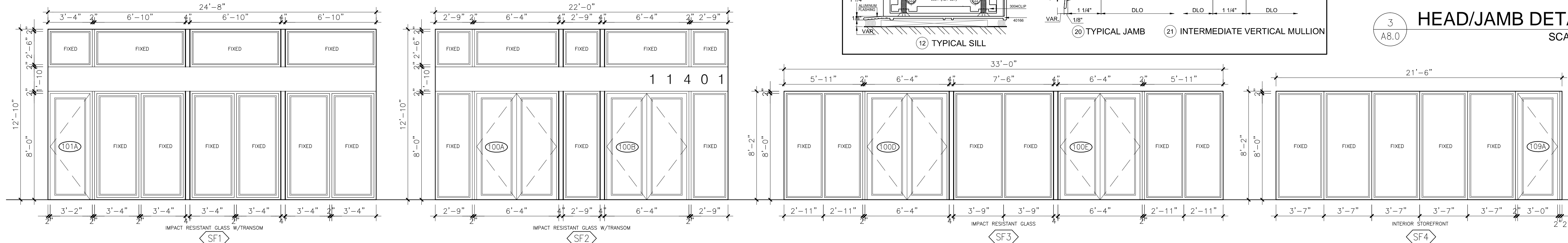
DOOR HARDWARE SCHEDULE	
ALL DOORS:	TO RECEIVE 1-1/2 PAIRS OF BUTT HINGES AND 2 SILENCERS PER LEAF.
SILENCERS:	HAGER 307 D FOR MTL DOORS
PASSAGE SET:	SATIN FINISH LEVER HANDLE MANUFACTURE: SCHLAGE OR APPROVED EQUAL
CLOSER:	SATIN FINISH SURFACE MOUNTED ABOVE DOOR MANUFACTURE: HAGER 5100 OR EQUAL OR MATCH EXISTING
PRIVACY SET:	DOOR STOPS: DOOR STOP & SPHERE LEVER HANDLE DOOR STOP & SPHERE MANUFACTURE: HAGER
DOOR STOPS:	DOOR STOPS TO BE INSTALLED NEAR HINGE SIDE OF DOOR TO AVOID ANY POSSIBLE TRIPPING HAZARD.
* ALTERNATES ALLOWED TO BE SUBMITTED AND APPROVED BY ARCHITECT, INTERIOR DESIGNER AND LANDLORD PRIOR TO BID AND PROCUREMENT	

WINDOW & STOREFRONT SCHEDULE										
MK	TYPE	FRAME	WIDTH	HEIGHT	SILL	DETAILS	REMARKS	WIND PRESSURE		
SF1	FIXED	ALUM	24'-8"	12'-10"	0'-0"		STOREFRONT SYSTEM. SEE MANUFACTURE SPECS FOR DETAILS AND INSTALLATION	SEE STRUCTURAL FOR WINDOW PRESSURE		
SF2	FIXED	ALUM	22'-0"	12'-10"	0'-0"					
SF3	FIXED	ALUM	33'-0"	8'-2"	0'-0"					
SF4	FIXED	ALUM	21'-8"	8'-2"	0'-0"					
W1	FIXED	ALUM	2'-6"	2'-6"	5'-8"					
W2	FIXED	ALUM	2'-6"	2'-6"	5'-8"					
W3	FIXED	ALUM	3'-4"	3'-4"	9'-4"					
W4	FIXED	ALUM	3'-4"	3'-4"	9'-4"					
W5	FIXED	ALUM	3'-4"	3'-4"	9'-4"					
W6	FIXED	ALUM	3'-4"	3'-4"	9'-4"					
W7	FIXED	ALUM	3'-4"	3'-4"	9'-4"					
W8	FIXED	ALUM	5'-0"	5'-0"	3'-2"					
W9	FIXED	ALUM	3'-4"	3'-4"	9'-4"					
W10	FIXED	ALUM	3'-4"	3'-4"	9'-4"					
W11	FIXED	ALUM	3'-4"	3'-4"	9'-4"					
W12	FIXED	ALUM	3'-4"	3'-4"	9'-4"					
W13	FIXED	ALUM	3'-4"	3'-4"	9'-4"					
W14	FIXED	ALUM	5'-0"	5'-0"	3'-2"					
W15	FIXED	ALUM	5'-0"	5'-0"	3'-2"					
W16	FIXED	ALUM	3'-4"	8'-2"	0'-0"					
W17	FIXED	ALUM	3'-4"	8'-2"	0'-0"					
W18	FIXED	ALUM	3'-4"	8'-2"	0'-0"					
W19	FIXED	ALUM	12'-8"	4'-8"	3'-6"					
W20	FIXED	ALUM	12'-8"	10'-10"	10'-0"					
W21	FIXED	ALUM	5'-4"	4'-8"	2'-10"					

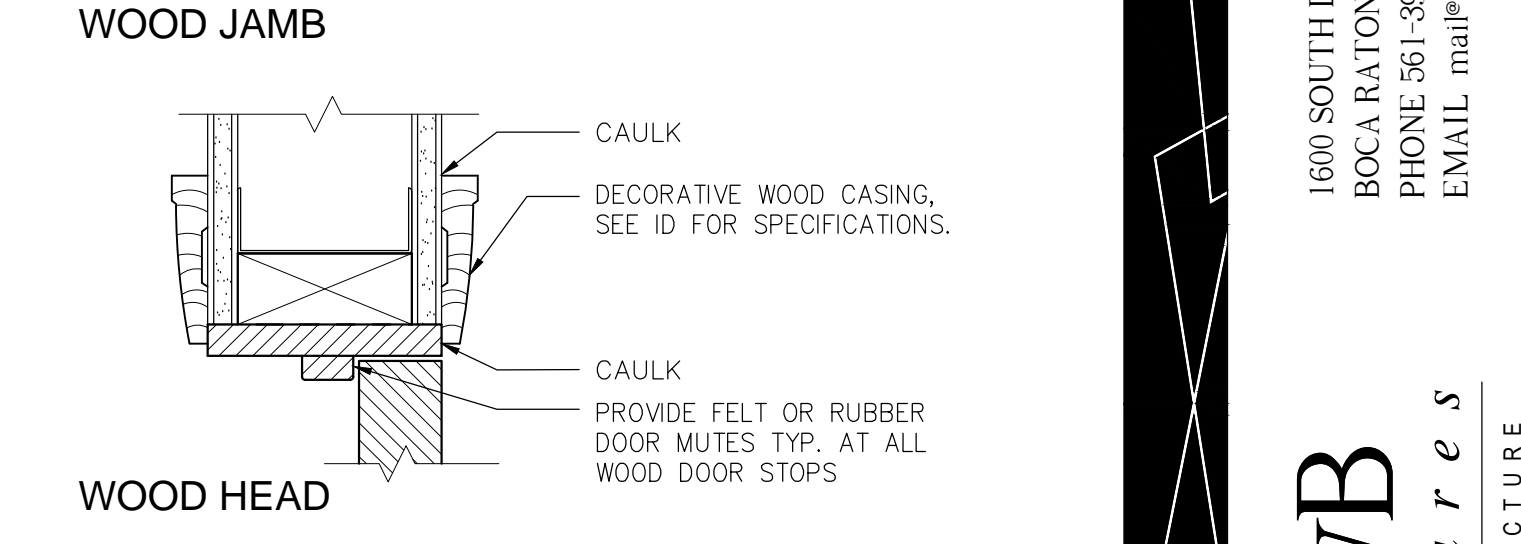
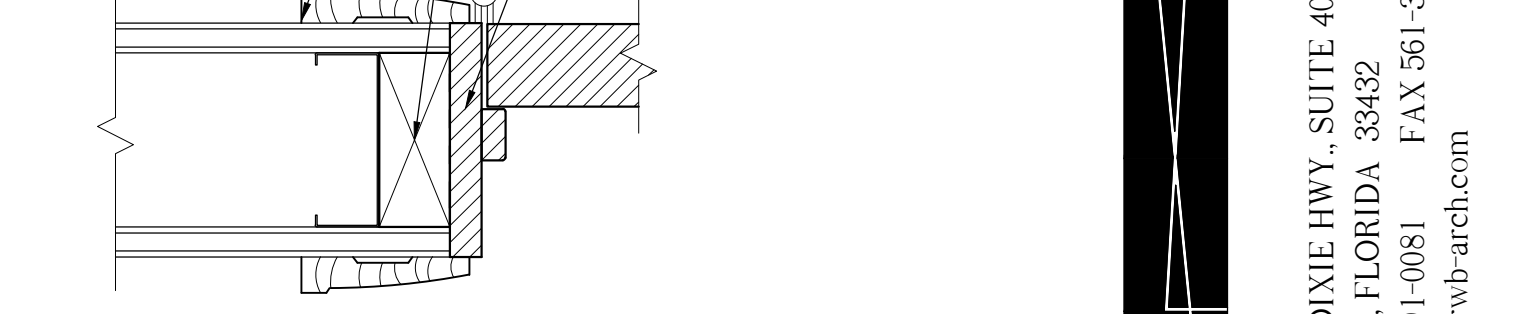
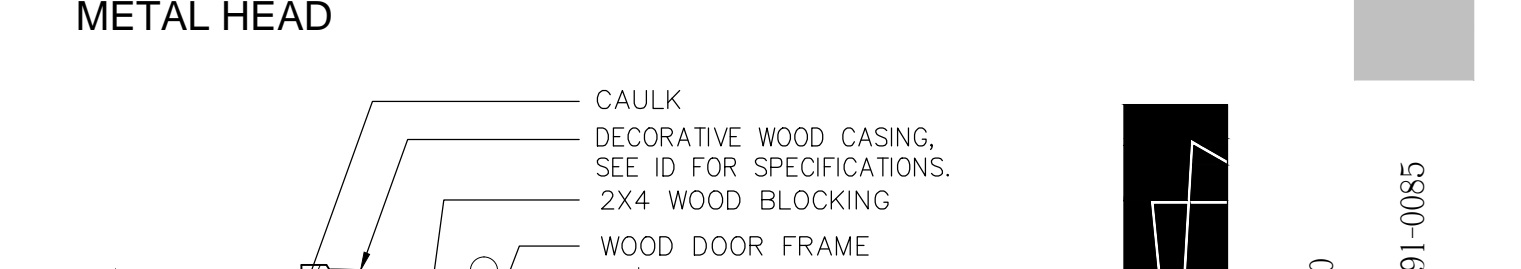
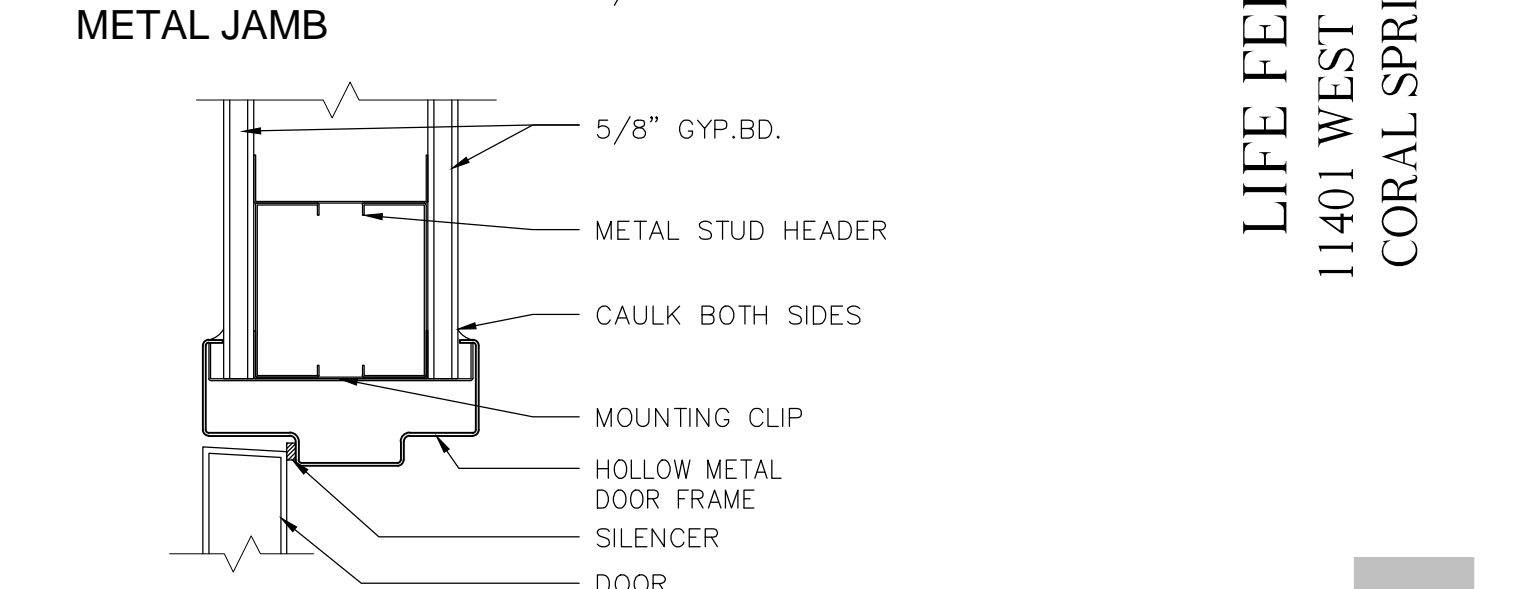
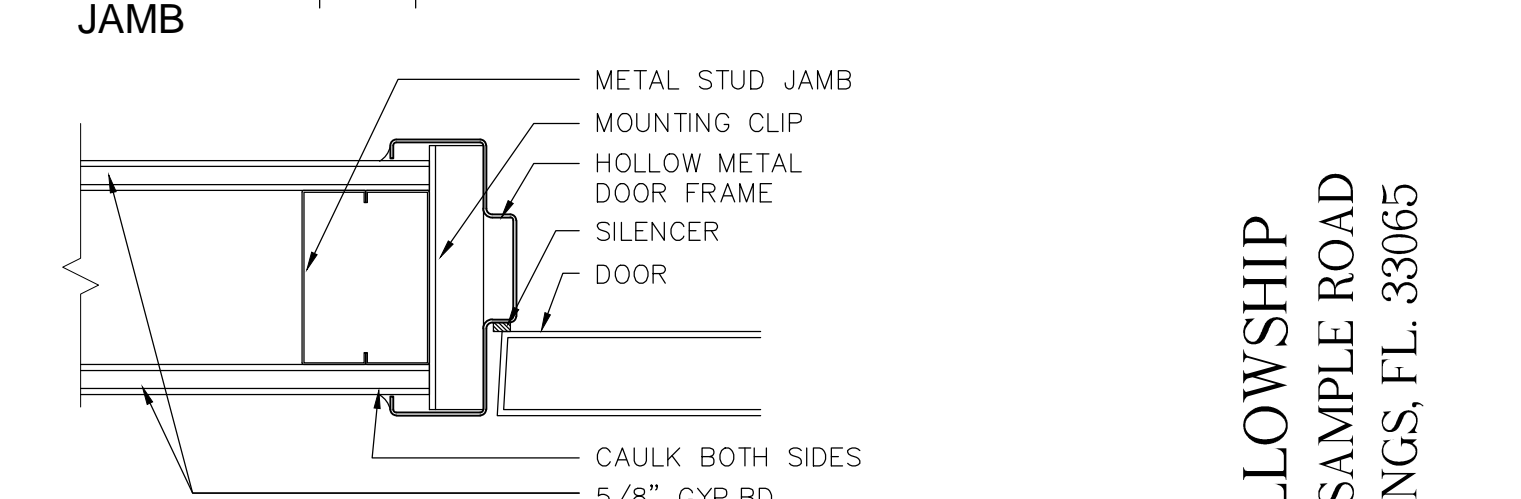
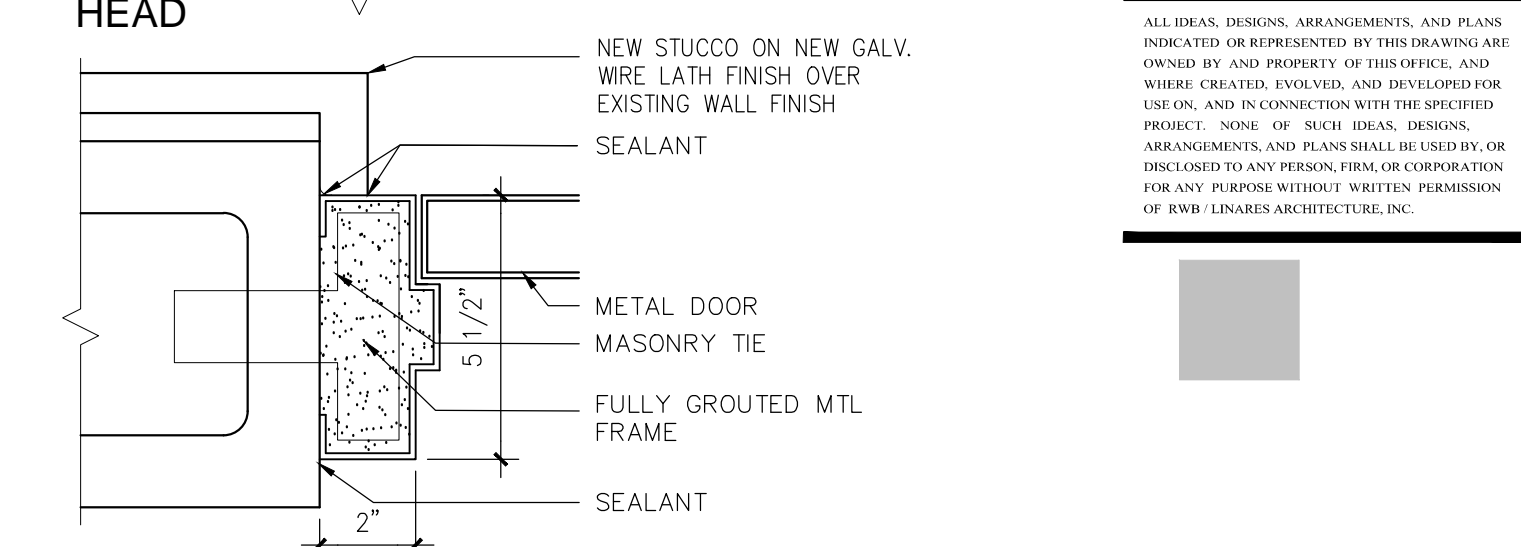
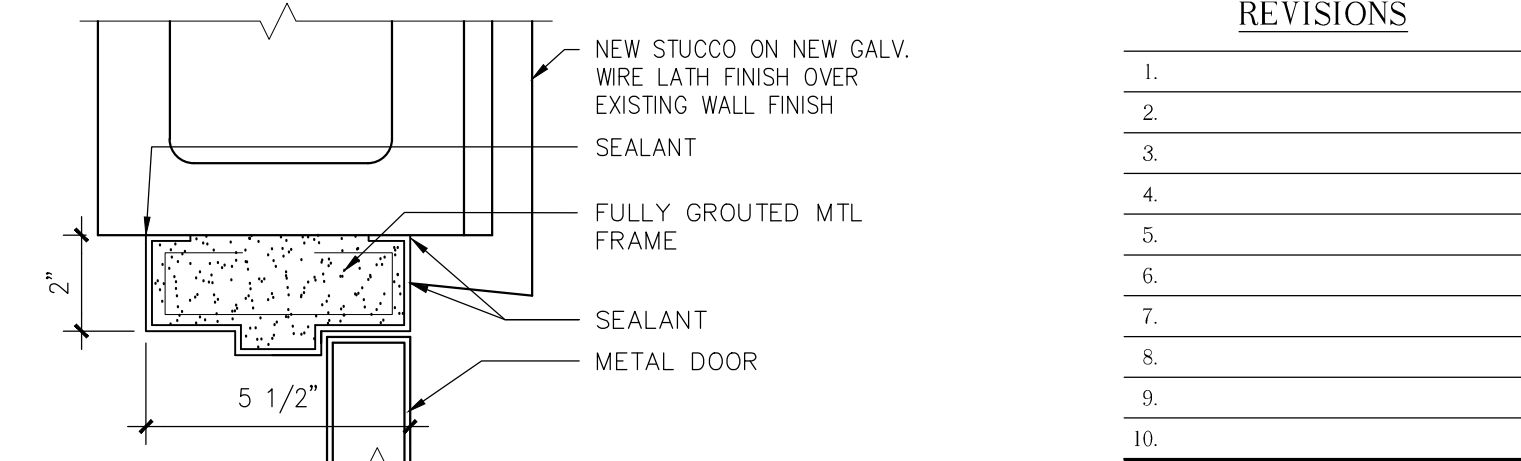
CONTRACTOR TO PROVIDE PRODUCT SUBMITTALS FOR ALL WINDOWS AND HARDWARE. ALL MANUFACTURE'S SPECIFICATIONS AND INSTALLATION METHODS SHALL BE REVIEWED BY THE CONTRACTOR AND IF ANY DISCREPANCIES OR CONFLICTS BETWEEN MANUFACTURE SPECIFICATIONS AND CONSTRUCTION DOCUMENTS ARE FOUND THE ARCHITECT WILL BE NOTIFIED IMMEDIATELY. ANY DISCREPANCIES OR CONFLICTS SHALL BE CLARIFIED PRIOR TO WORK CONTINUING WORK IN AFFECTED AREA.  
 ALL NEW OPENINGS TO BE VERIFIED ON SITE BY VENDOR. VENDOR TO PROVIDE A DETAILED SCHEDULE OF WINDOWS AS PART OF THE PRODUCT SUBMITTALS. ANY DISCREPANCIES SHALL BE BROUGHT TO THE ATTENTION OF THE CONTRACTOR AND ARCHITECT PRIOR TO PRODUCT PROCUREMENT AND INSTALLATION.  
 ALL WINDOW AND STOREFRONT DIMENSIONS ARE NOMINAL AND ACTUAL R.O. AND UNIT SIZES TO BE REVIEWED AND CONFIRMED WITH SELECTED MANUFACTURE.  
 FRAME COLOR: CLEAR ANODIZED ALUMINUM.  
 GLAZING: CLEAR  
 IMPACT: NO, TEMPERED: YES  
 EXTERIOR WINDOWS AND DOORS ARE NOT PART OF THIS PERMIT, FUTURE AMENDMENT WILL REPLACE NEW DOORS AND WINDOWS UPON SITE PLAN APPROVAL.



WINDOWS ELEVATIONS



STOREFRONT ELEVATIONS



HEAD/JAMB DETAIL  
 SCALE: 3" = 1'-0"

REVISIONS	
1.	
2.	
3.	
4.	
5.	
6.	
7.	
8.	
9.	
10.	

ALL DIMENSIONS, ARRANGEMENTS, AND PLANS INDICATED OR REPRESENTED BY THIS DRAWING ARE OWNED BY AND REMAIN THE PROPERTY OF THE ARCHITECT AND SHALL BE KEPT IN CONFIDENCE AND NOT TO BE REPRODUCED, COPIED, OR IN ANY MANNER DISSEMINATED WITHOUT THE WRITTEN PERMISSION OF THE ARCHITECT. ANY REVISIONS TO THIS DRAWING SHALL BE MADE BY THE ARCHITECT AND SHALL BE INDICATED BY A REVISION NUMBER AND DATE.

LIFE FELLOWSHIP  
 11401 WEST SAMPLE ROAD  
 CORAL SPRINGS, FL. 33065

1600 SOUTH DIXIE HWY., SUITE 400  
 BOCA RATON, FLORIDA 33432  
 PHONE 561-391-0081 FAX 561-391-0085  
 EMAIL mail@rwb-arch.com

RWB  
 Linars  
 ARCHITECTURE

PROJECT # 14-067  
 DATE 05-19-16  
 SHEET #

A8.0

JUAN C. LINARES

AA26000640