

# STRUCTURAL NOTES

**GENERAL NOTES:**  
 STRUCTURAL DRAWINGS SHALL BE USED IN CONJUNCTION WITH JOB SPECIFICATIONS AND ARCHITECTURAL, MECHANICAL, ELECTRICAL, PLUMBING, AND SITE DRAWINGS. CONSULT THESE DRAWINGS FOR SLEEVES, DEPRESSIONS, AND OTHER DETAILS NOT SHOWN ON STRUCTURAL DRAWINGS.

ALL DIMENSIONS AND CONDITIONS MUST BE VERIFIED IN THE FIELD. ANY DISCREPANCIES SHALL BE BROUGHT TO THE ATTENTION OF THE ENGINEER BEFORE PROCEEDING WITH THE AFFECTED PART OF THE WORK.

THE STRUCTURE IS DESIGNED TO BE SELF-SUPPORTING AND STABLE AFTER THE BUILDING IS COMPLETE. IT IS THE CONTRACTOR'S RESPONSIBILITY TO DETERMINE ERECTION PROCEDURES AND SEQUENCE TO INSURE SAFETY OF THE BUILDING AND ITS COMPONENTS DURING ERECTION. THIS INCLUDES THE ADDITION OF NECESSARY SHORING, SHEETING, TEMPORARY BRACING, GUYS OR TIEDOWNS.

**DESIGN LOADS:**  
 THE STRUCTURAL SYSTEM FOR THE BUILDING HAS BEEN DESIGNED IN ACCORDANCE WITH THE 2014 FLORIDA BUILDING CODE. THE FOLLOWING SUPERIMPOSED LOADINGS HAVE BEEN UTILIZED:

ROOF:  
 LIVE LOAD - 30 PSF  
 DEAD LOAD - 25 PSF

WIND:  
 PER ASCE 7-10  
 3 SECOND GUST SPEED = 170 MPH  
 IMPORTANCE FACTOR = 1.0  
 EXPOSURE C

**STRUCTURAL STEEL:**  
 WIDE FLANGE SHAPES SHALL CONFORM TO ASTM A-572 OR A-992 GRADE 50 AND OTHER SHAPES SHALL CONFORM TO ASTM A36 AND "THE SPECIFICATION FOR DESIGN, FABRICATION AND ERECTION OF STRUCTURAL STEEL FOR BUILDINGS" BY THE AMERICAN INSTITUTE OF STEEL CONSTRUCTION, INC. SHOP CONNECTIONS TO BE WELDED (UTILIZING E70XX ELECTRODES) AND FIELD CONNECTIONS TO BE BOLTED, UNLESS OTHERWISE NOTED ON STRUCTURAL DRAWINGS. STEEL SHALL RECEIVE ONE SHOP COAT AND ONE FIELD TOUCH UP COAT OF APPROVED PAINT, EXCEPT WHERE GALVANIZING IS INDICATED ON THE DRAWINGS.

STRUCTURAL TUBING SHALL CONFORM TO ASTM A\_500, GRADE B, Fy = 46 ksi. STRUCTURAL PIPE SHALL CONFORM TO ASTM A\_53 GRADE B, TYPE E OR S, Fy = 35 ksi. BEAM CONNECTIONS TO TUBE COLUMNS SHALL BE A.I.S.C. THRU-PLATE TYPE UNLESS SHOWN OTHERWISE.

BOLTED CONNECTIONS SHALL CONSIST OF MINIMUM 3/4 INCH DIAMETER ASTM A\_325N HIGH STRENGTH BOLTS. BEAM CONNECTIONS SHALL BE DESIGNED BY THE FABRICATOR FOR THE REACTIONS SHOWN ON THE PLANS. IF NOT SHOWN, THE FABRICATOR SHALL DESIGN THE BEAM CONNECTIONS TO SUPPORT AN END REACTION OF W/2 KIPS FROM THE TABLES IN PART 2 "ALLOWABLE UNIFORM LOADS IN KIPS FOR BEAMS LATERALLY SUPPORTED" OF THE MANUAL OF STEEL CONSTRUCTION (9TH EDITION), BUT CONNECTIONS SHALL NOT HAVE LESS THAN 2 ROWS OF BOLTS. ANCHOR BOLTS SHALL CONFORM TO ASTM A\_307 OR A\_36 (THREADED ROD).

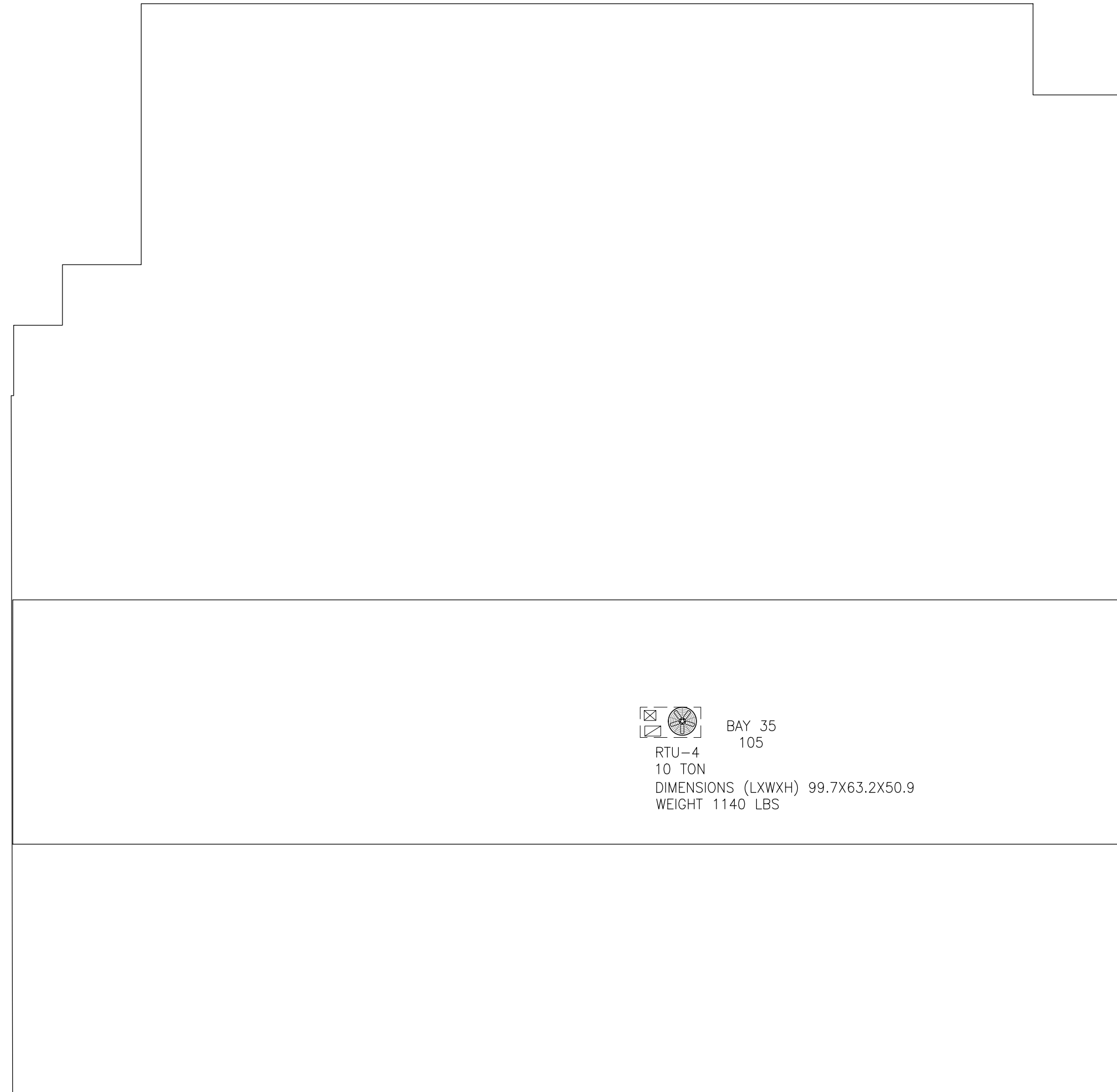
**WELDING:**  
 WELDING SHALL BE DONE BY WELDERS WITH CURRENT CERTIFICATION USING ASTM E70 SERIES ELECTRODE FOR SHOP WELDING A36 STEEL, AND E70 SERIES LOW HYDROGEN ELECTRODES FOR ALL WELDING OF HIGH STRENGTH STEELS AND FOR FIELD WELDING.

WELDS SHOWN ON STRUCTURAL DRAWINGS ARE MINIMUM DESIGN REQUIREMENTS. THE FABRICATOR'S SHOP DRAWINGS SHALL REFLECT WELDS IN ACCORDANCE WITH AWS REQUIREMENTS.

FULL PENETRATION GROOVE WELDS SHALL BE INSPECTED BY ULTRASONIC TESTING. TWENTY-FIVE PERCENT OF THE WELDS SHALL BE INSPECTED AT RANDOM UNLESS NOTED OTHERWISE. SEE SPECIFICATIONS FOR ADDITIONAL REQUIREMENTS.

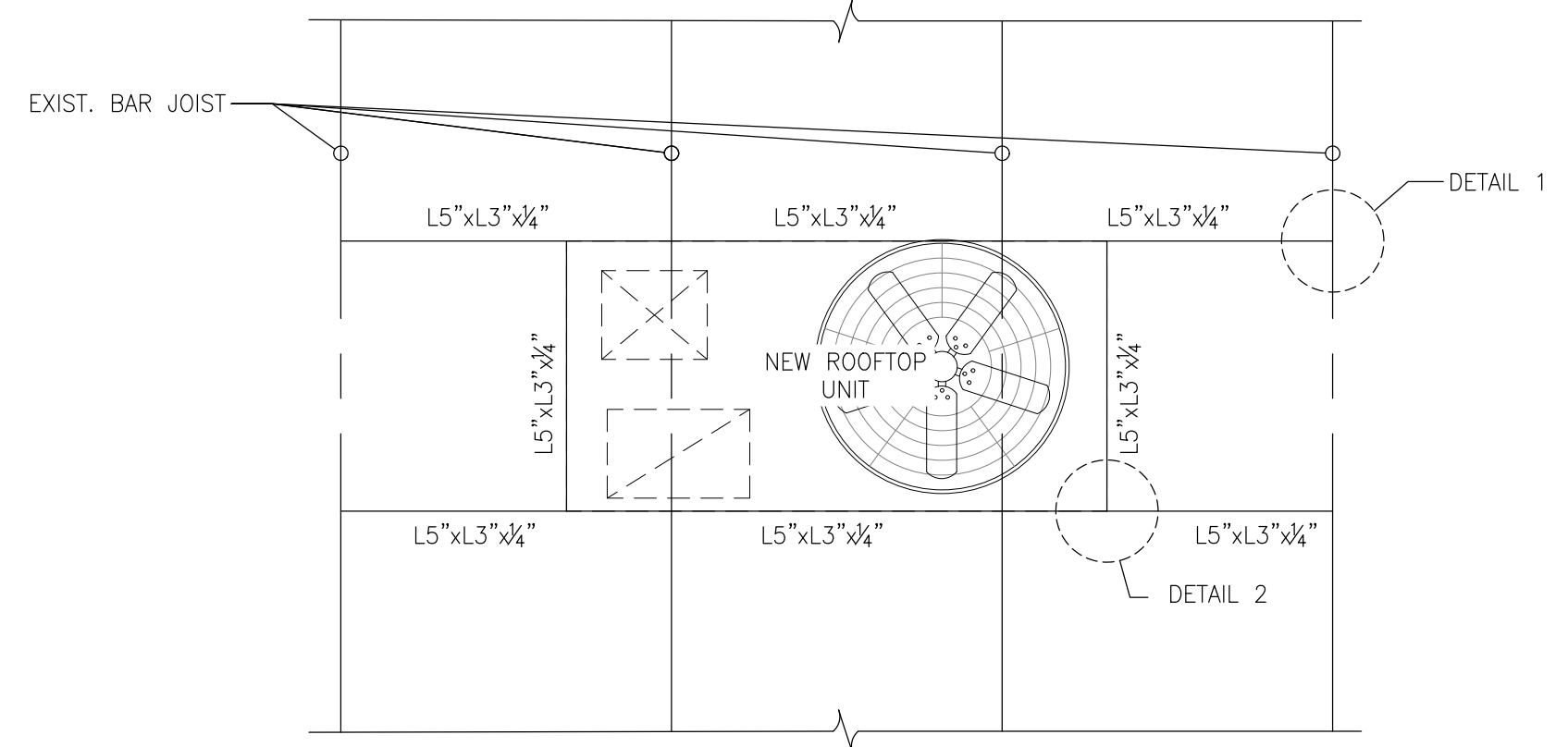
UNLESS NOTED OTHERWISE ON THE DRAWINGS, GROOVE WELDS SHALL BE FULL PENETRATION.

PROVIDE FILLET WELDS AT CONTACT POINTS BETWEEN STEEL MEMBERS SUFFICIENT TO DEVELOP THE ALLOWABLE TENSILE STRENGTH OF THE SMALLER MEMBER AT THE JOINT UNLESS DETAILED OTHERWISE ON THE DRAWINGS.

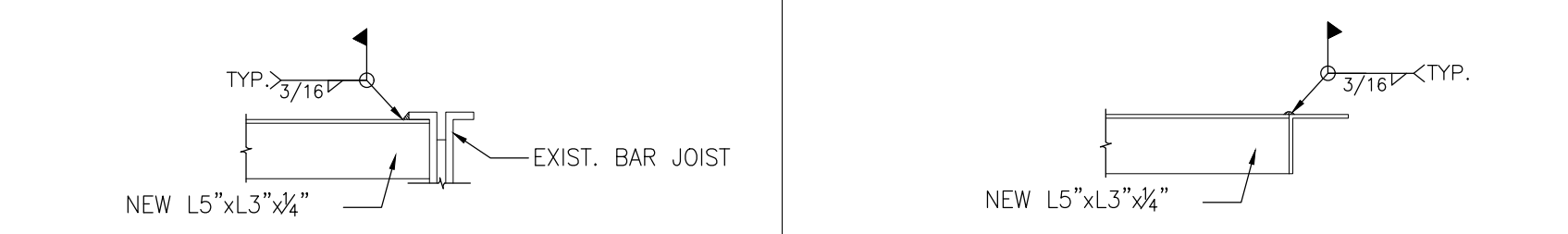


RTU-4 BAY 35  
 10 TON  
 DIMENSIONS (LXWXH) 99.7X63.2X50.9  
 WEIGHT 1140 LBS

KEY PLAN  
 N.T.S

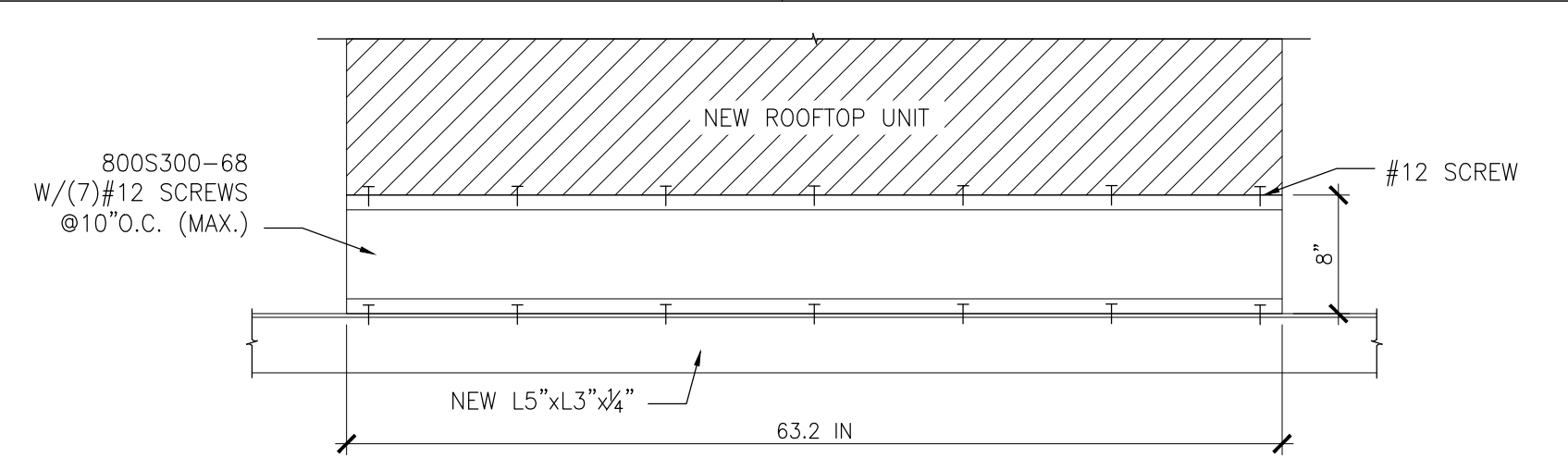


FRAMING PLAN  
 1/2"=1'-0"

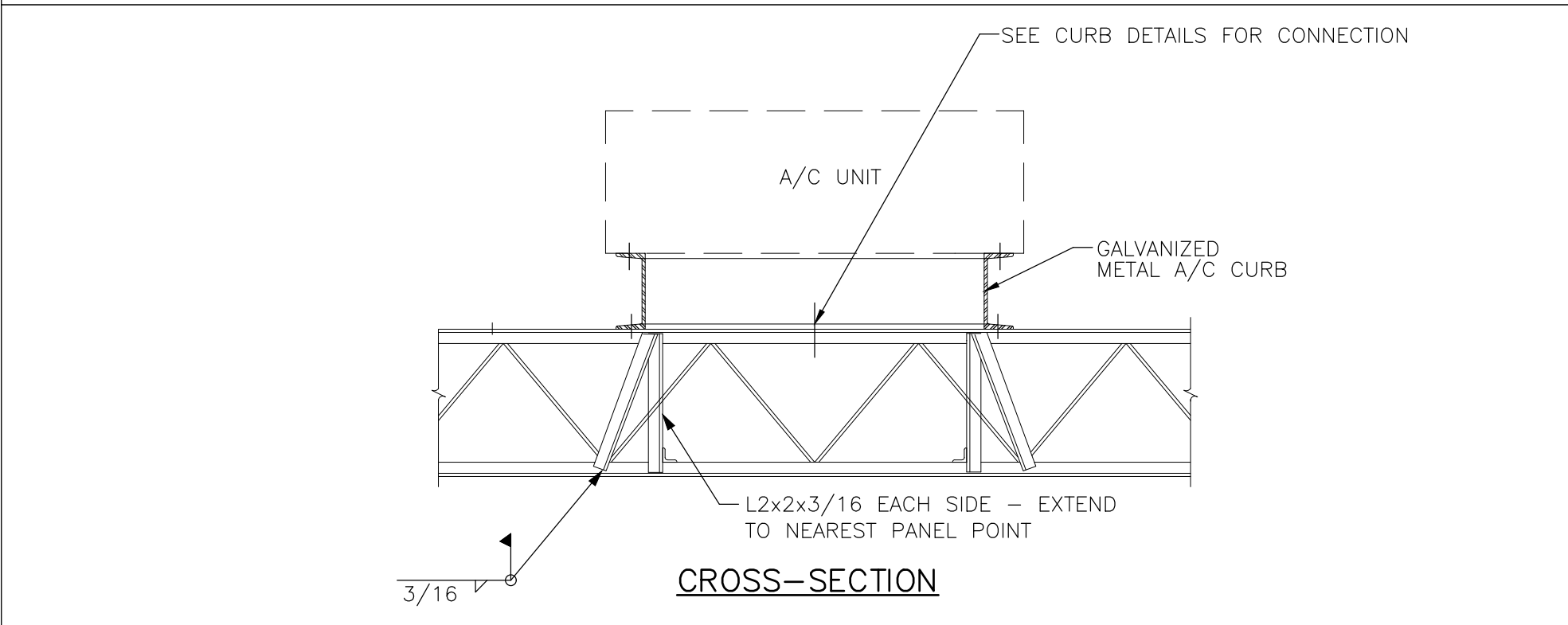


DETAIL 1  
 N.T.S

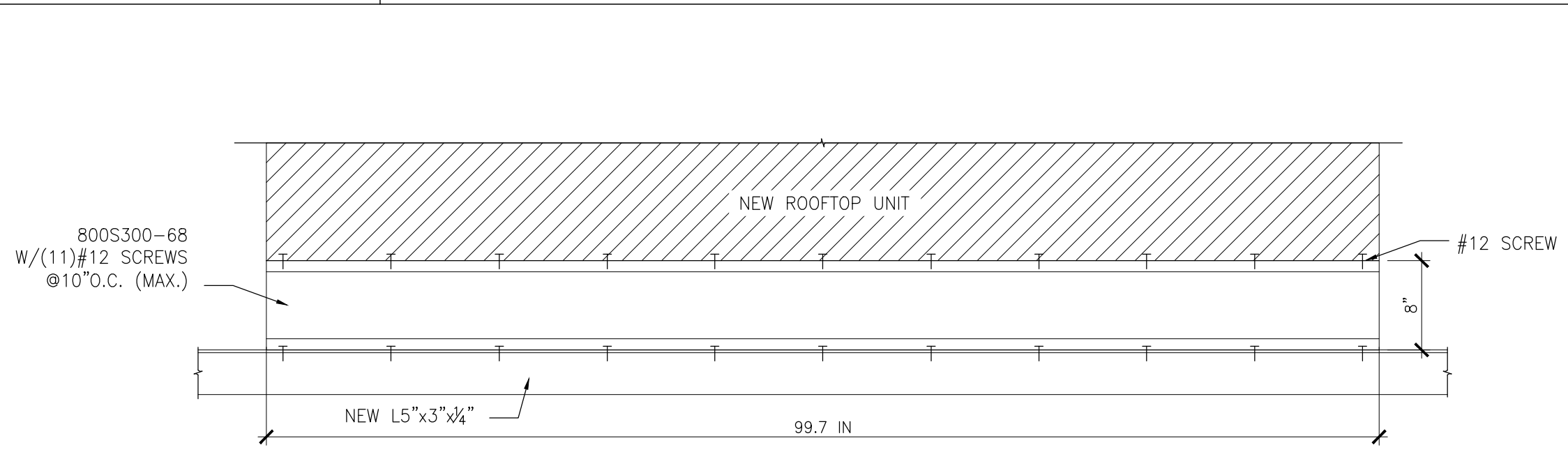
DETAIL 2  
 N.T.S



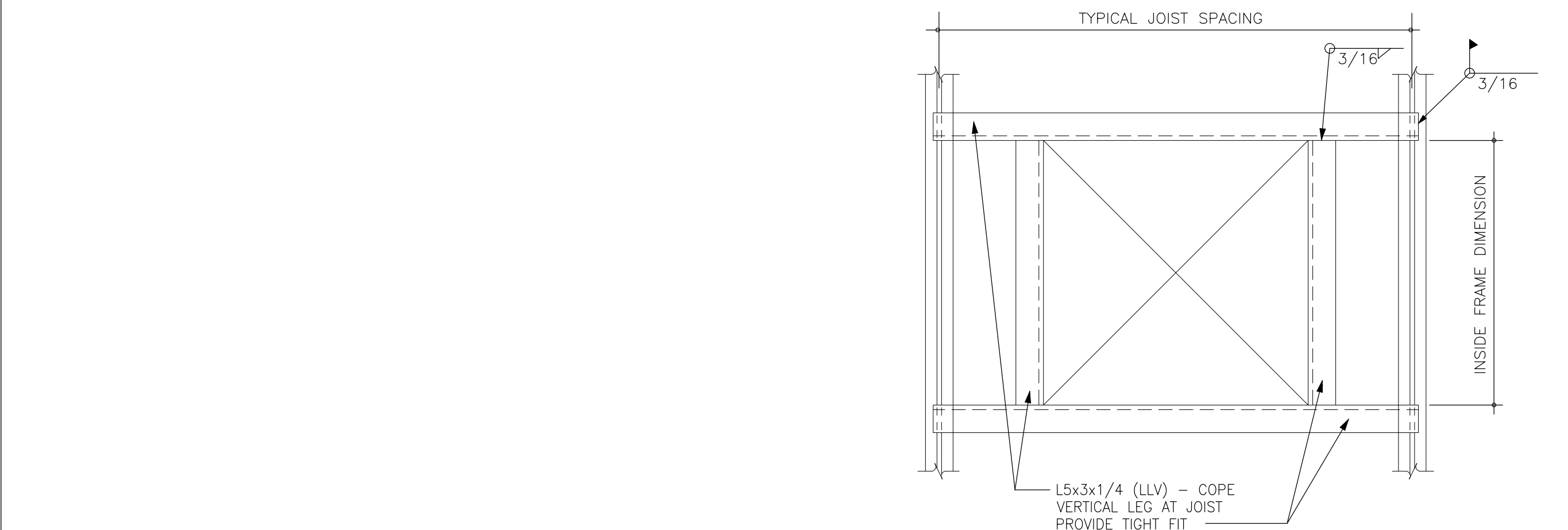
CURB DETAIL 1  
 N.T.S



TYP. CURB MOUNTED A/C/ SUPPORT DETAIL  
 N.T.S



CURB DETAIL 2  
 N.T.S

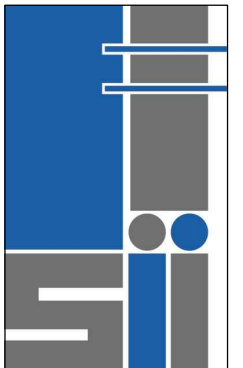


TYP. ROOF OPENING REINFORCING DETAIL  
 N.T.S

- SEE PLANS FOR LOCATIONS REQUIRED.
- COORDINATE SIZE OF OPENING WITH MECHANICAL REQUIREMENTS.

TO THE BEST OF MY KNOWLEDGE AND ABILITY, THE COMPLETED STRUCTURE DEPICTED ON THESE PLANS COMPLIES WITH THE APPLICABLE MINIMUM BUILDING CODES.

**CCS**  
 ARCHITECTURAL ENTERPRISES, INC.  
 499 East Palmetto Park Rd.  
 Suite 204  
 Boca Raton, FL 33432  
 T 561.479.9884  
 www.ccsarch.com  
 Florida Registration Number  
 AA26001852

**CONSULTANTS:**  
**STRUCTURAL ENGINEERING:**  
  
 STRUCTURES INTERNATIONAL, INC.  
 7501 Wiles Rd.  
 Coral Springs, FL 33067  
 (954) 227-1512  
**ELECTRICAL, MECHANICAL, PLUMBING:**  
 AMERICAN UNITED ENGINEERS  
 4508 SW 24TH STREET  
 FORT LAUDERDALE, FL 33317  
 PHONE: (954) 471-8857

**PROJECT:**  
 BAY 35  
 WESTGATE SHOPPING CENTER  
 100 N STATE ROAD 7  
 LAUDERDALE LAKES, FL 33317  
**INTERIOR IMPROVEMENTS**

**FINAL CONTRACT DOCUMENTS**

PROJECT NUMBER:	16-059
DATE:	06/06/16
CAD FILE NO:	

**ADDENDA/REVISIONS**


**SEAL:**

CYNTHIA C. SPRAY, AIA AR-94167

**DRAWING TITLE:**  
**GENERAL NOTES, FLOOR PLAN & DETAILS**