

Architect: AA 0002541
 Engineering: EB 0006884

**WELLINGTON GREEN PARCEL 'F'
 PHASE II RETAIL 'H' MODIFICATION
 PETITION NO. 16-18 (2016-08 ASA 53)**
 2545 SOUTH STATE ROAD 7
 WELLINGTON, FLORIDA 33414

Revisions of Drawings		
No.	Date	Revisions

Issues of Drawings		
No.	Date	Issues
1	06.15.16	100%CD - PERMIT SET

Phase: _____
 Checked: _____
 Drawn: JA

Drawing Title
TYPICAL DETAILS

WJA Proj No.: 1526-01
 Owner Proj No.: _____
 Scale: AS NOTED

Sheet No.
A5.9
 No. of Sheets: _____

1 NOT USED
 A5.9 SCALE = 3" = 1'-0"

2 NOT USED
 A5.9 SCALE = 3" = 1'-0"

3 NOT USED
 A5.9 SCALE = 3" = 1'-0"

4 NOT USED
 A5.9 SCALE = 3" = 1'-0"

5 NOT USED
 A5.9 SCALE = 3" = 1'-0"

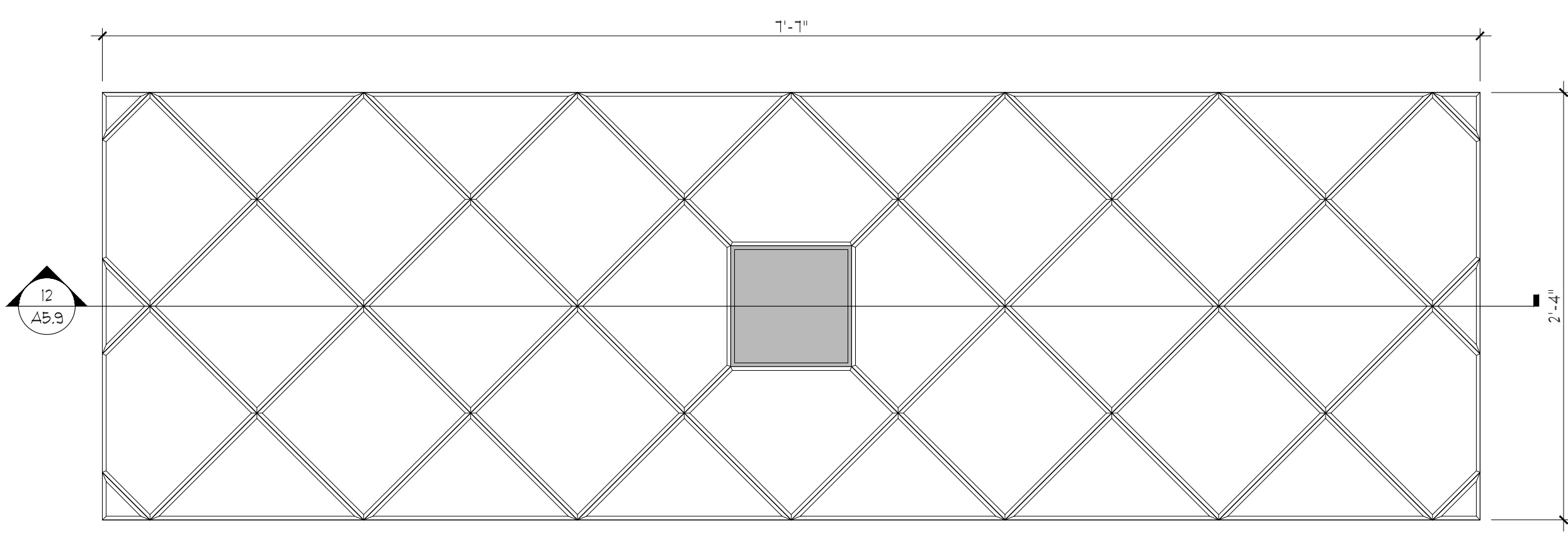
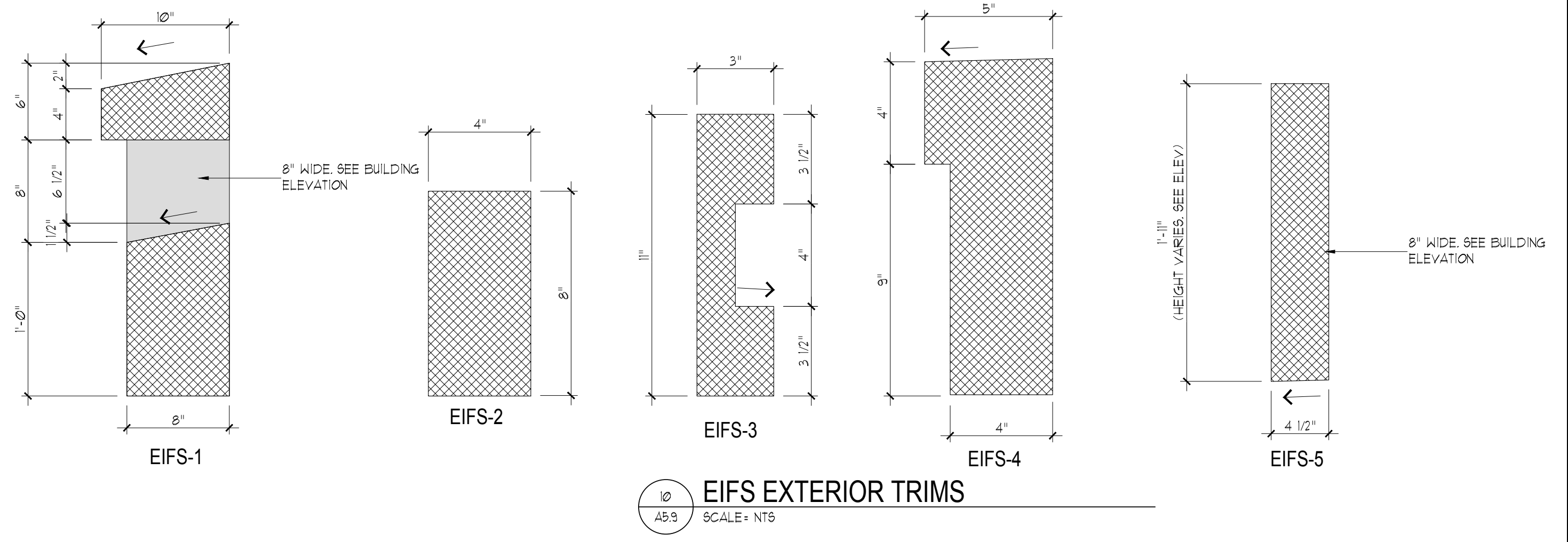
6 NOT USED
 A5.9 SCALE = 3" = 1'-0"

7 NOT USED
 A5.9 SCALE = 3" = 1'-0"

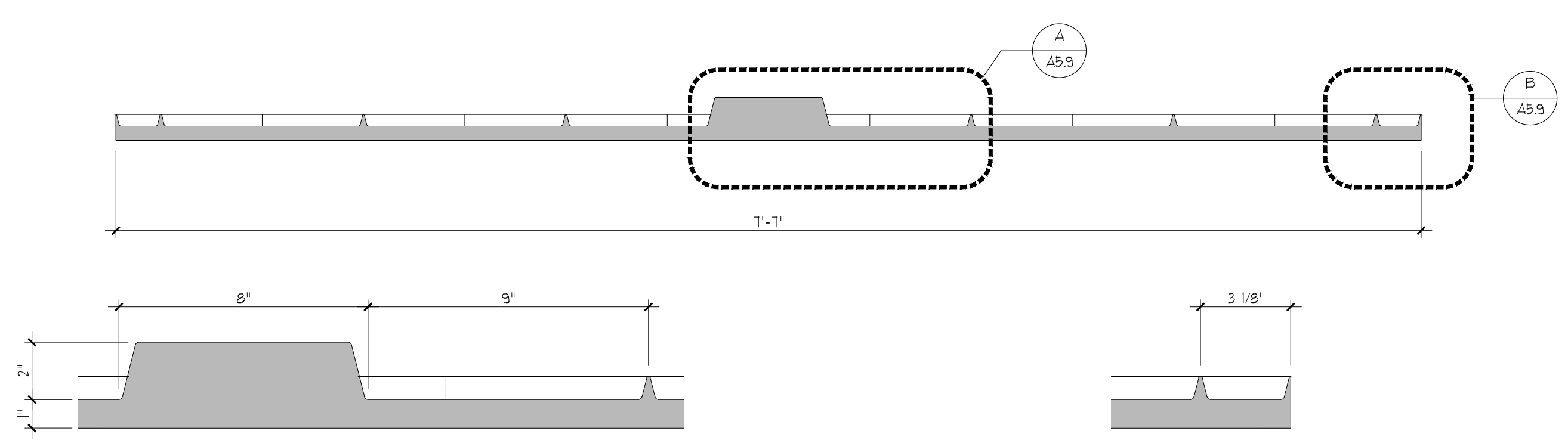
7 NOT USED
 A5.9 SCALE = 3/4" = 1'-0"

8 NOT USED
 A5.9 SCALE = 3" = 1'-0"

9 NOT USED
 A5.9 SCALE = 3" = 1'-0"



11 GLASS FIBER REINFORCED CONCRETE (GFRP) EXTERIOR TRIM
 A5.9 SCALE = 1-1/2" = 1'-0"



A SECTION DETAIL
 A5.9 SCALE = 3" = 1'-0"

B SECTION DETAIL
 A5.9 SCALE = 3" = 1'-0"

12 GFRP) EXTERIOR TRIM - SECTION DETAILS
 A5.9 SCALE = 3" = 1'-0"

THIS DOCUMENT CONTAINS COPYRIGHTED MATERIAL AND TRADE SECRET INFORMATION BELONGING EXCLUSIVELY TO WILLIAMSON DACAR ASSOCIATES, INC. ANY UNAUTHORIZED USE, DISCLOSURE, REPRODUCTION OR DUPLICATION OF ANY OF THE INFORMATION CONTAINED HEREIN MAY RESULT IN LIABILITY UNDER APPLICABLE LAWS.