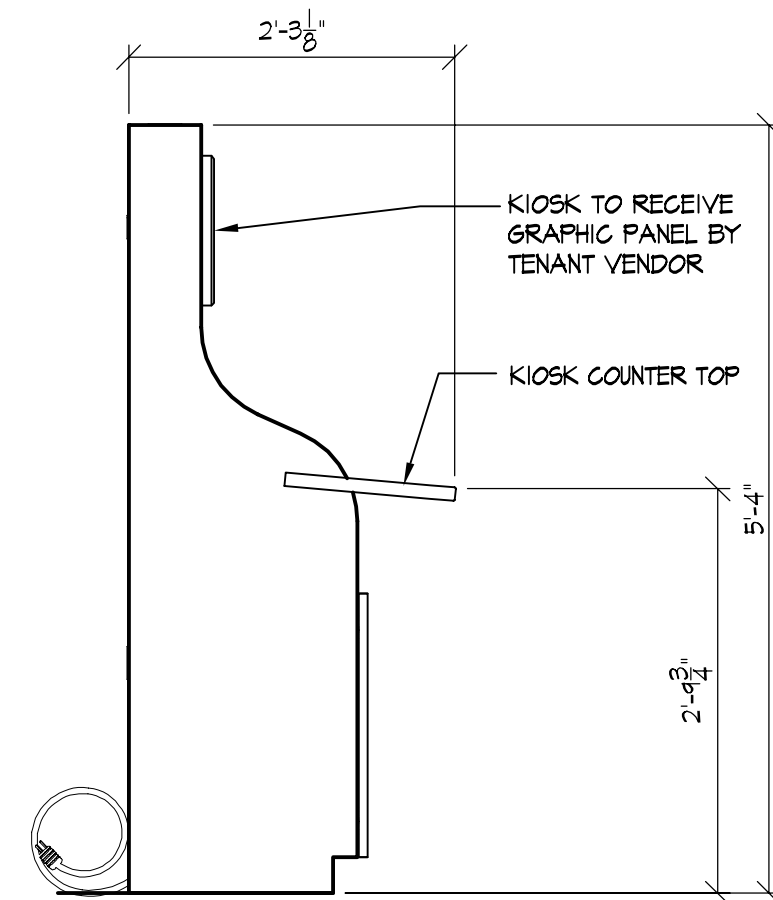
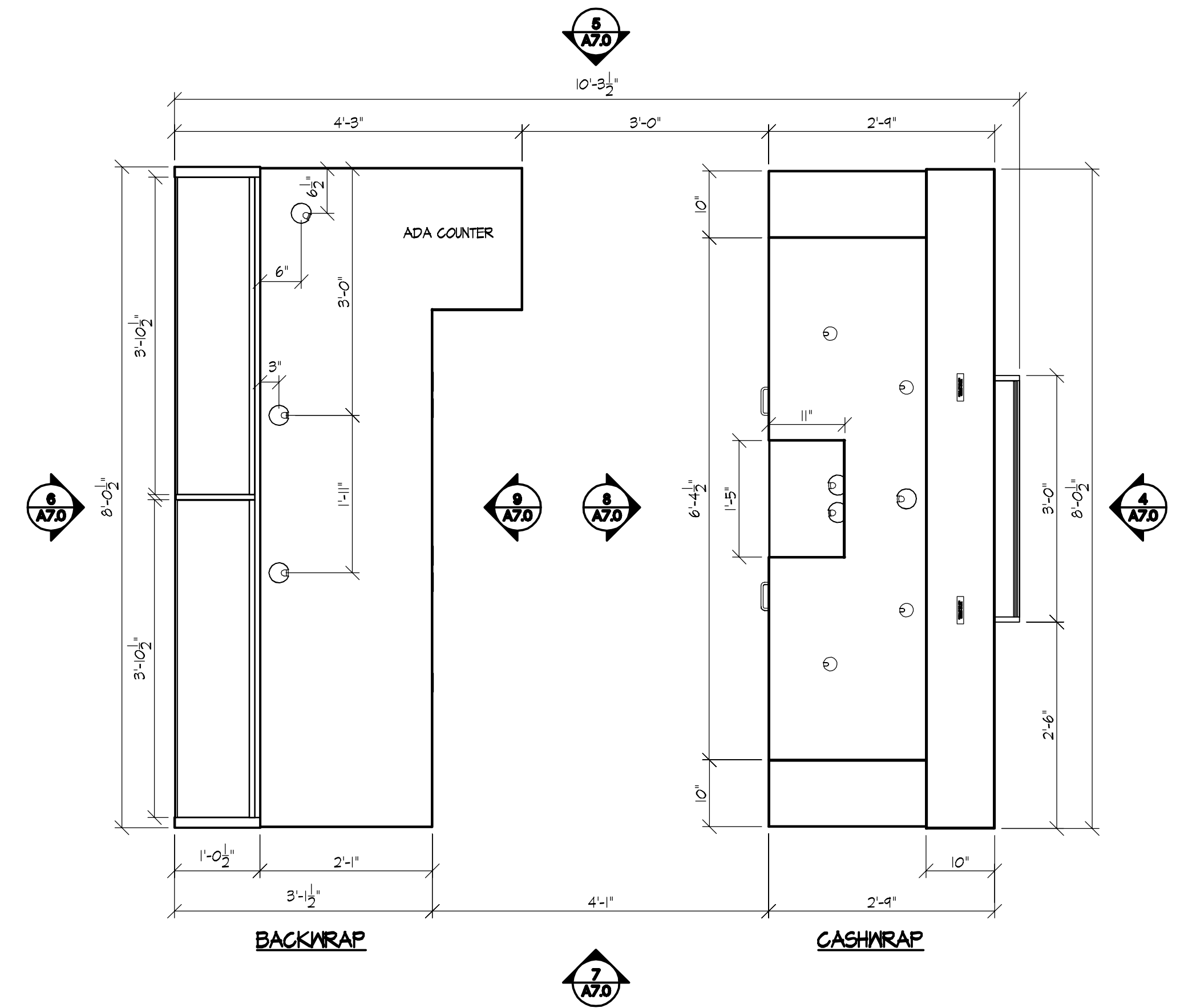


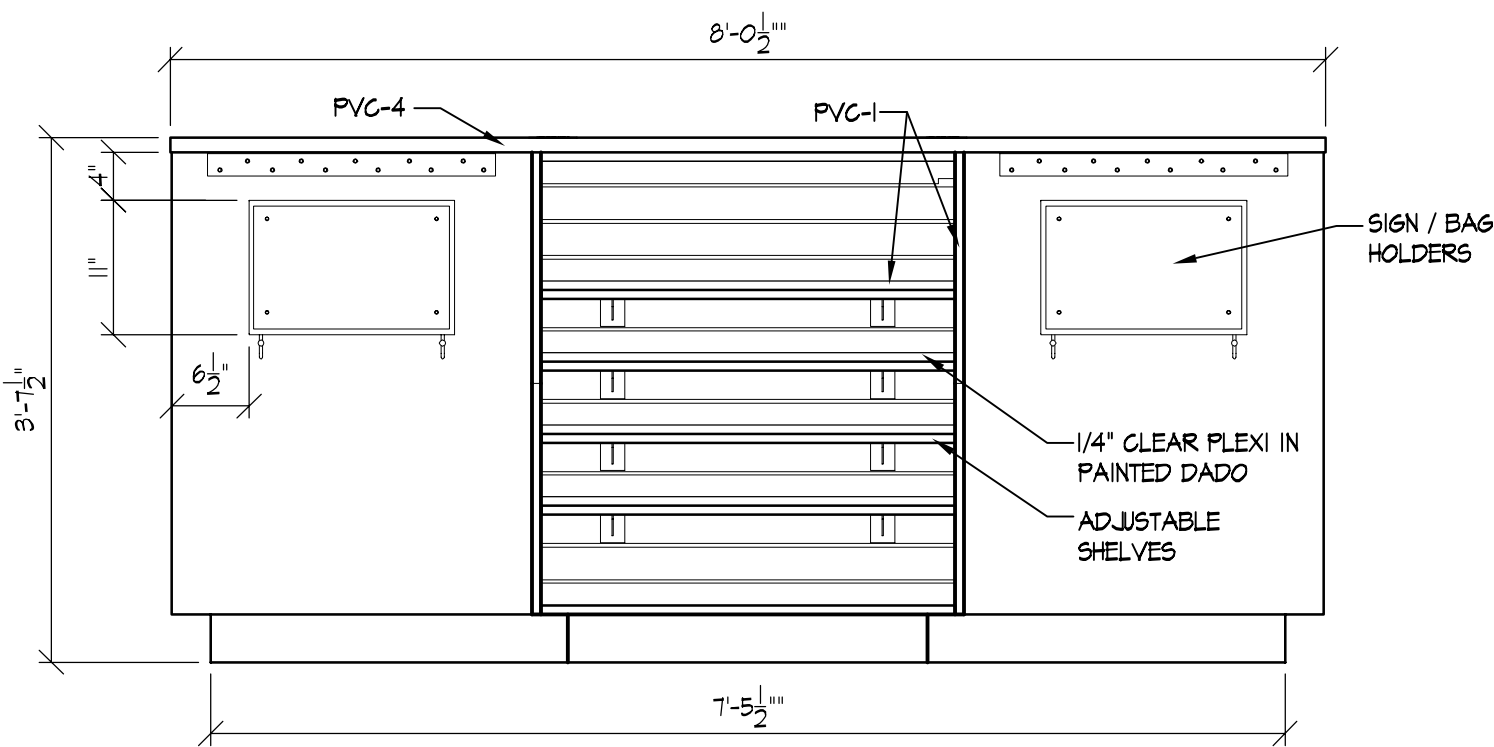
**1 KIOSK FRONT ELEVATION**  
SCALE: 3/4" = 1'-0"



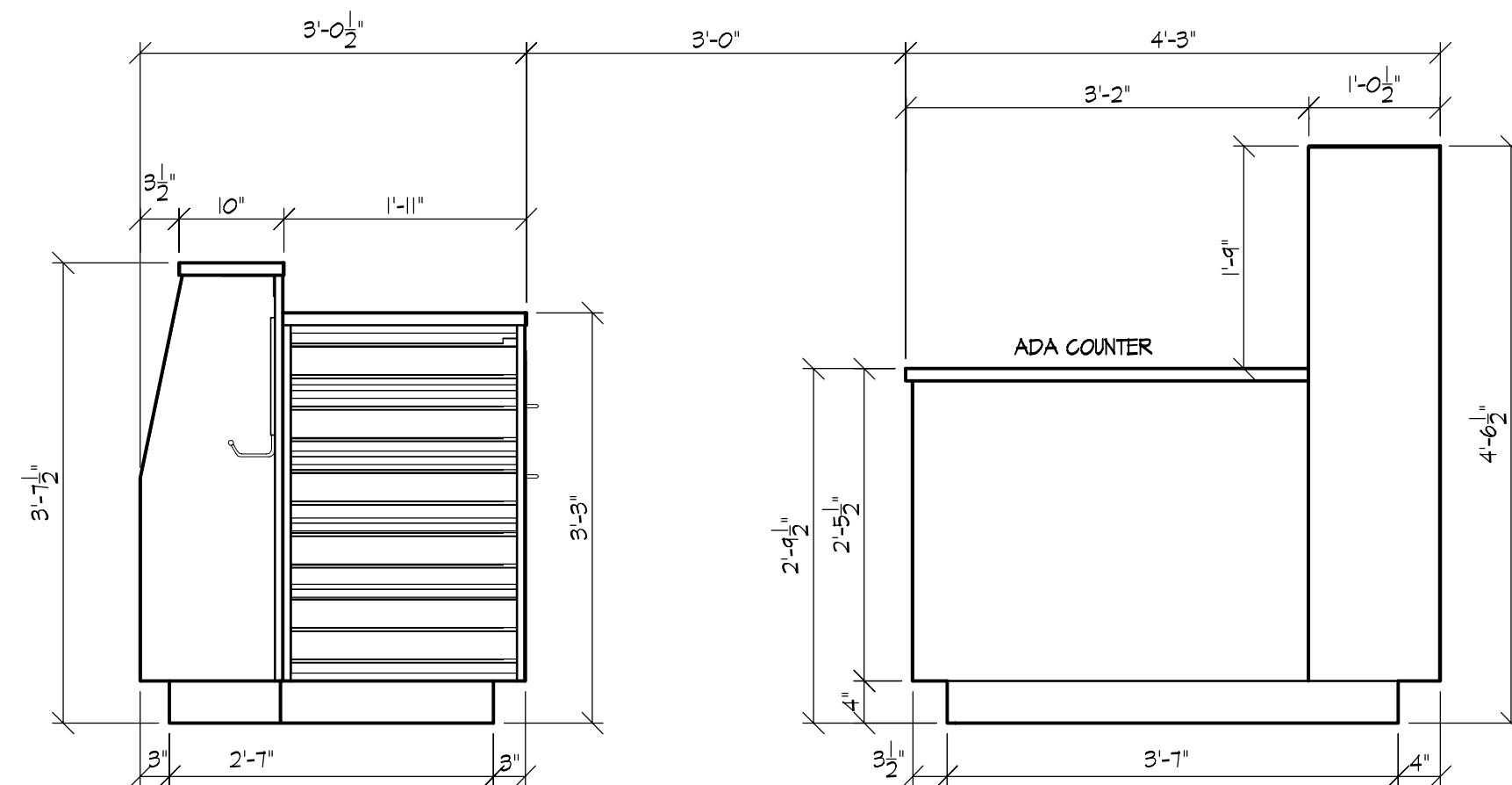
**2 KIOSK SIDE ELEVATION**  
SCALE: 3/4" = 1'-0"



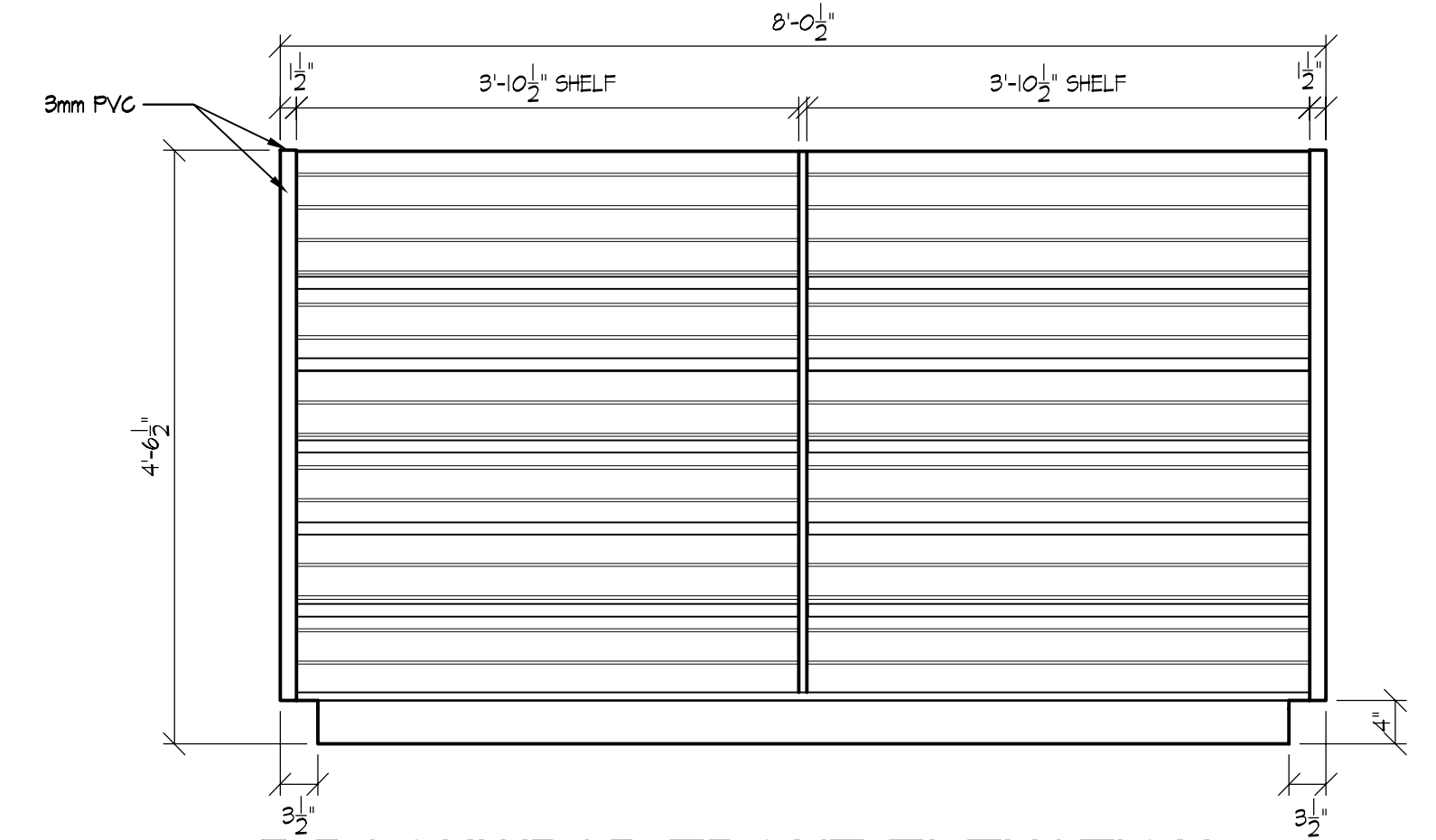
**3 BACKWRAP/ CASHWRAP PLAN VIEW**  
SCALE: 3/4" = 1'-0"



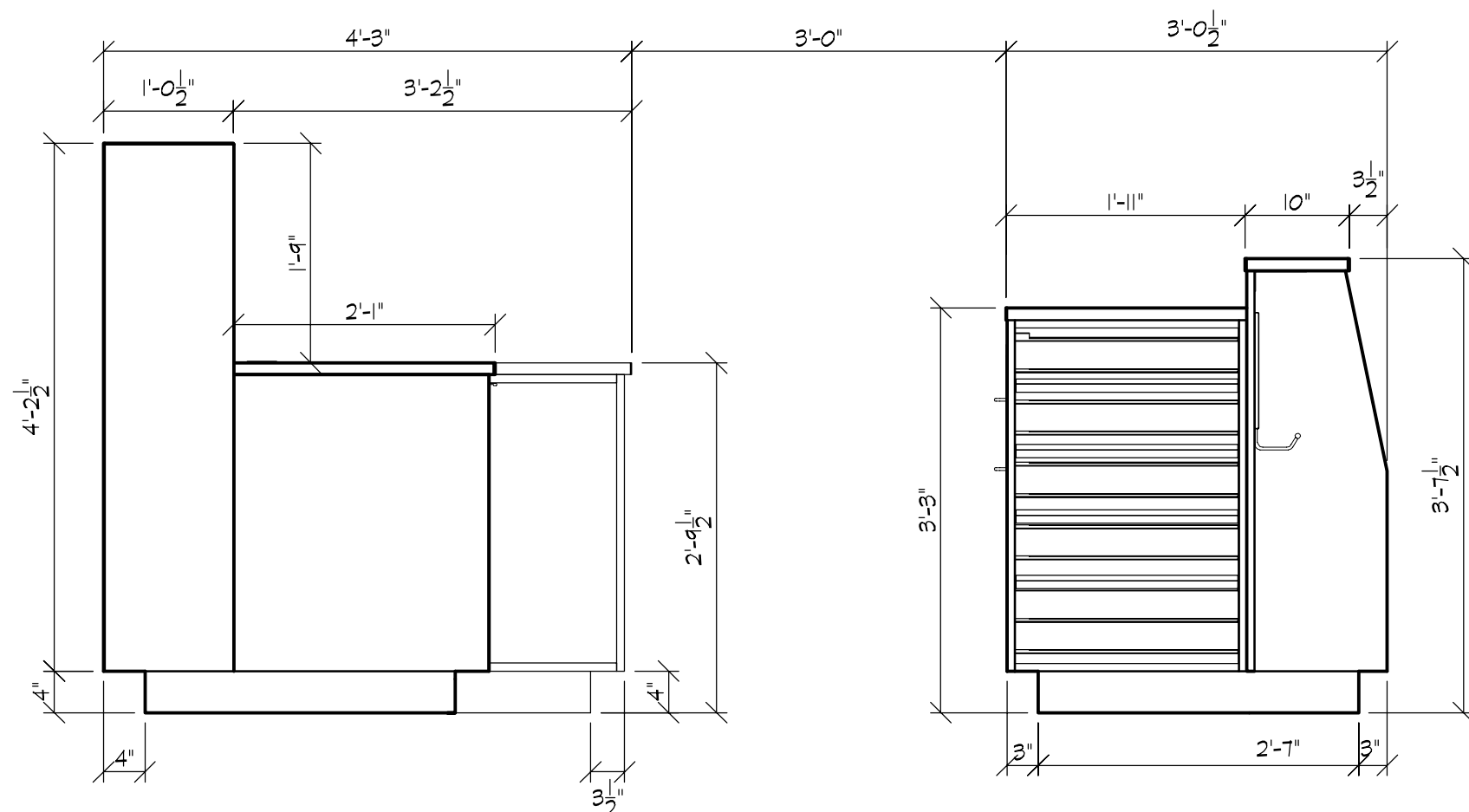
**4 CASHWRAP FRONT ELEVATION**  
SCALE: 3/4" = 1'-0"



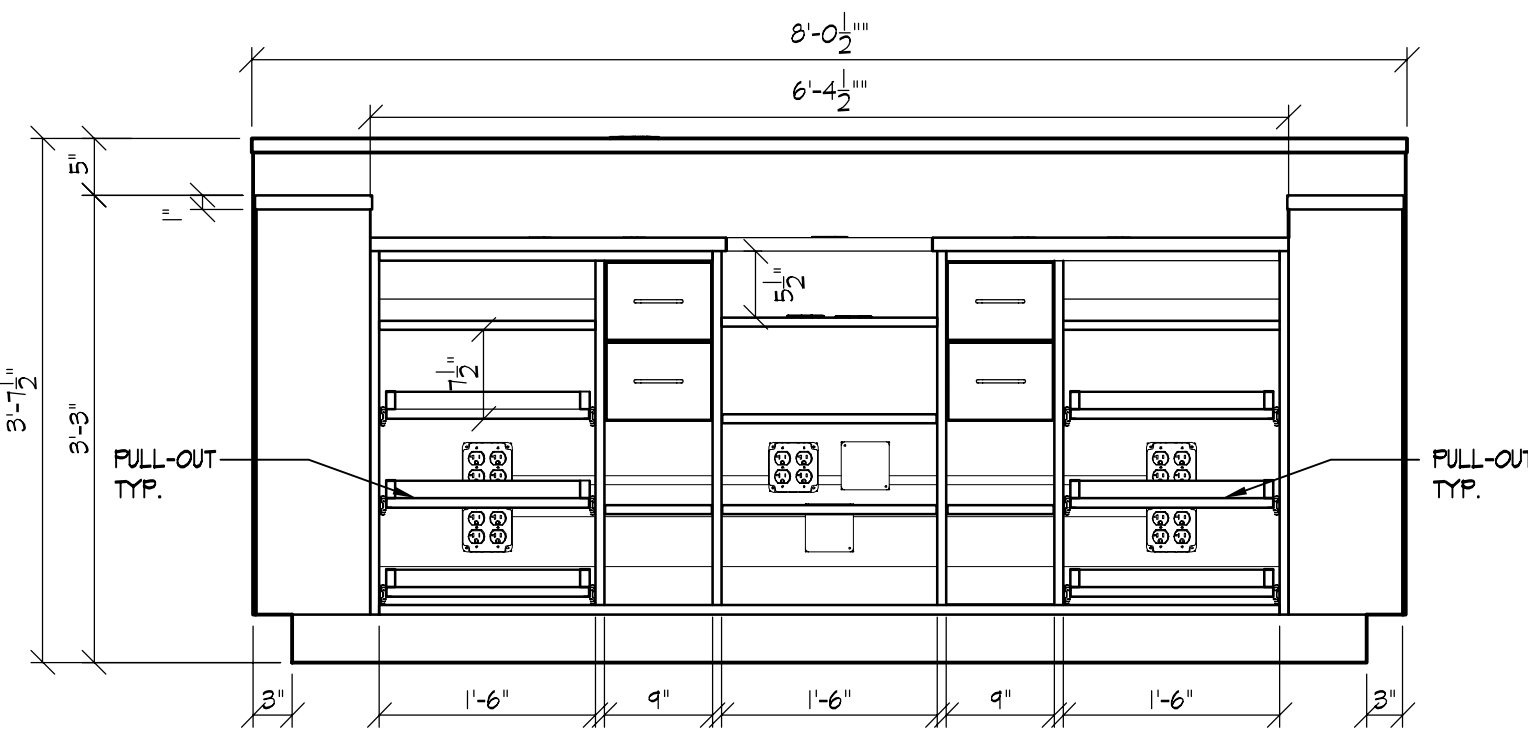
**5 CASHWRAP/ BACKWRAP RIGHT SIDE ELEVATION**  
SCALE: 3/4" = 1'-0"



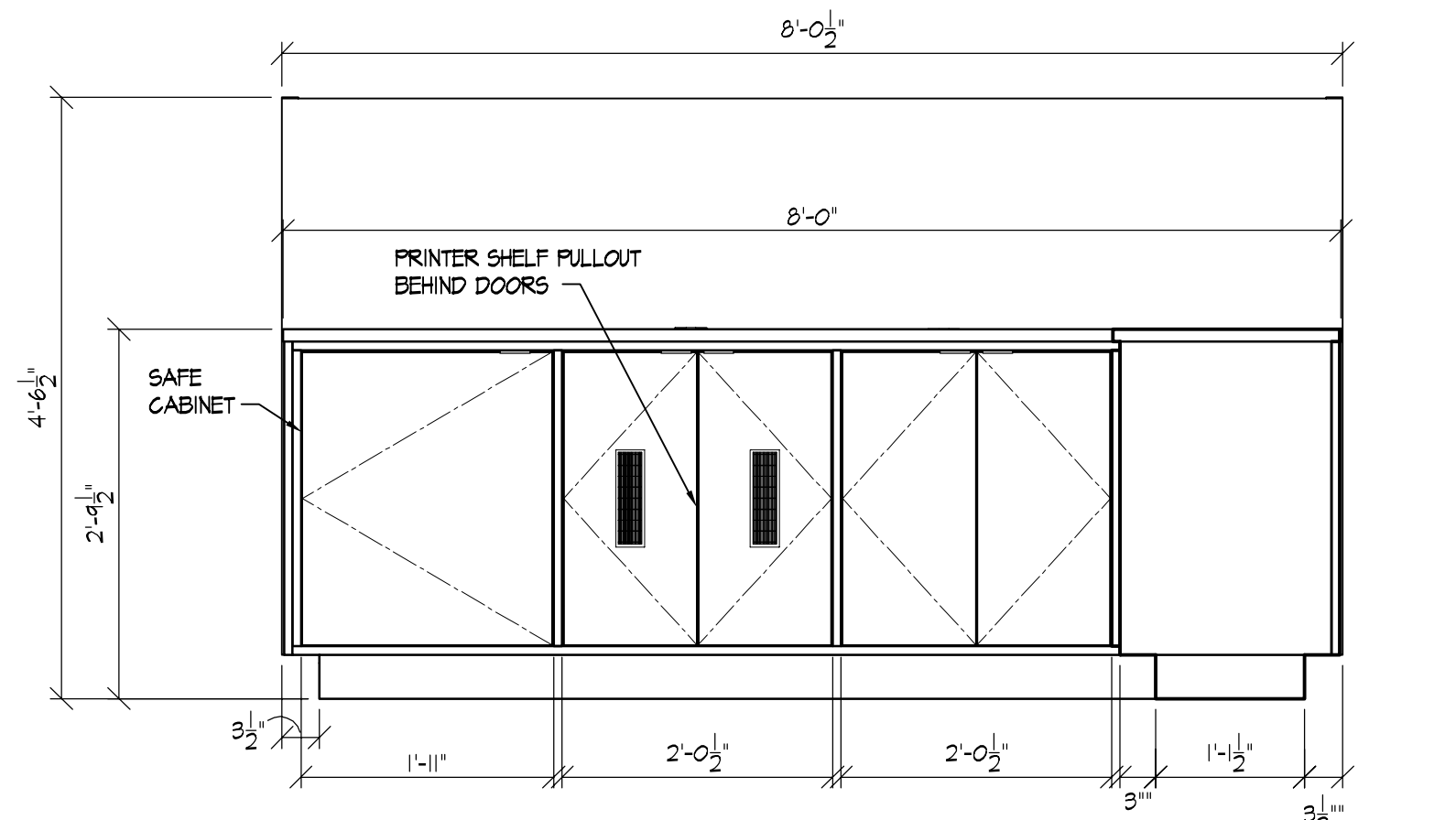
**6 BACKWRAP FRONT ELEVATION**  
SCALE: 3/4" = 1'-0"



**7 CASHWRAP/ BACKWRAP SIDE ELEVATION**  
SCALE: 3/4" = 1'-0"



**8 CASHWRAP REAR ELEVATION**  
SCALE: 3/4" = 1'-0"



**9 BACKWRAP REAR ELEVATION**  
SCALE: 3/4" = 1'-0"

REVISIONS	DATE	OWNER COMMENTS
06/20/16		

PROJECT NO.	150310
DATE:	10/14/15
DRAWN BY:	RAR
STORE NUMBER:	404
PROTO:	2016R1 PROTOTYPE SET

SALES AREA	2,420 S.F.
NON SALES	588 S.F.
GROSS AREA	3,008 S.F.

SHEET TITLE:

**KIOSK + CASHWRAP DETAILS**