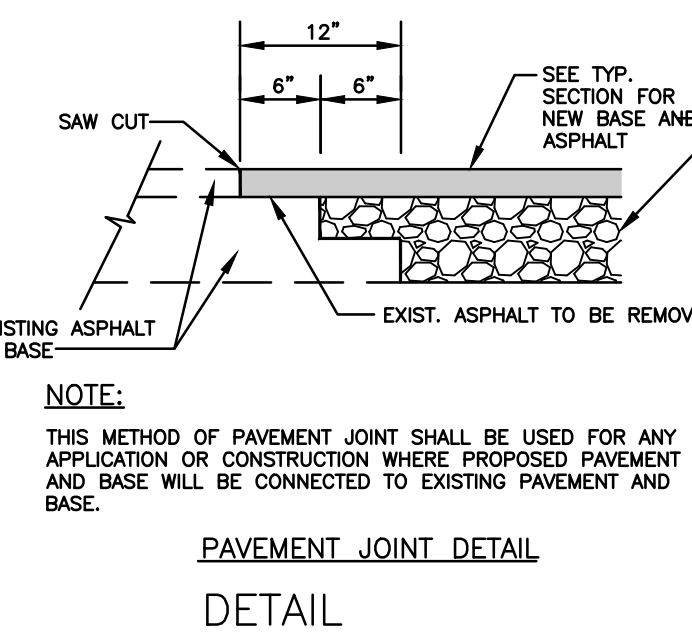
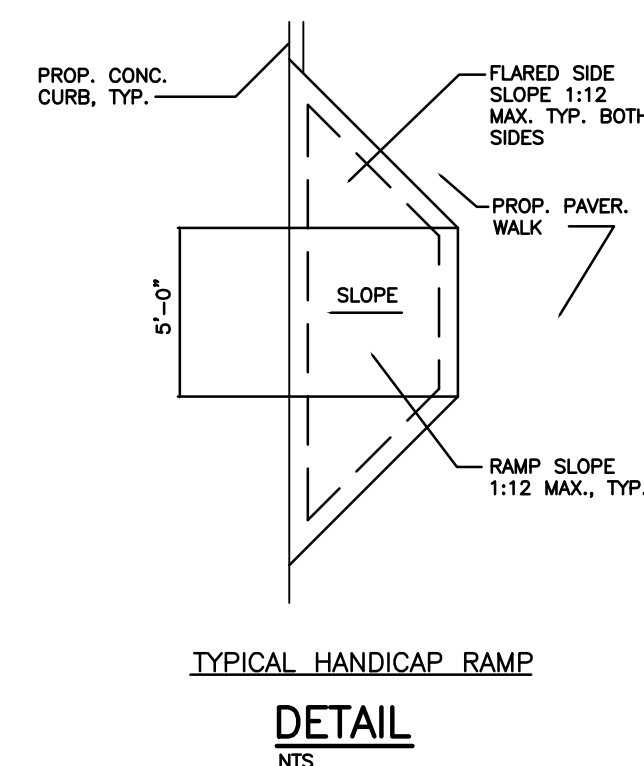
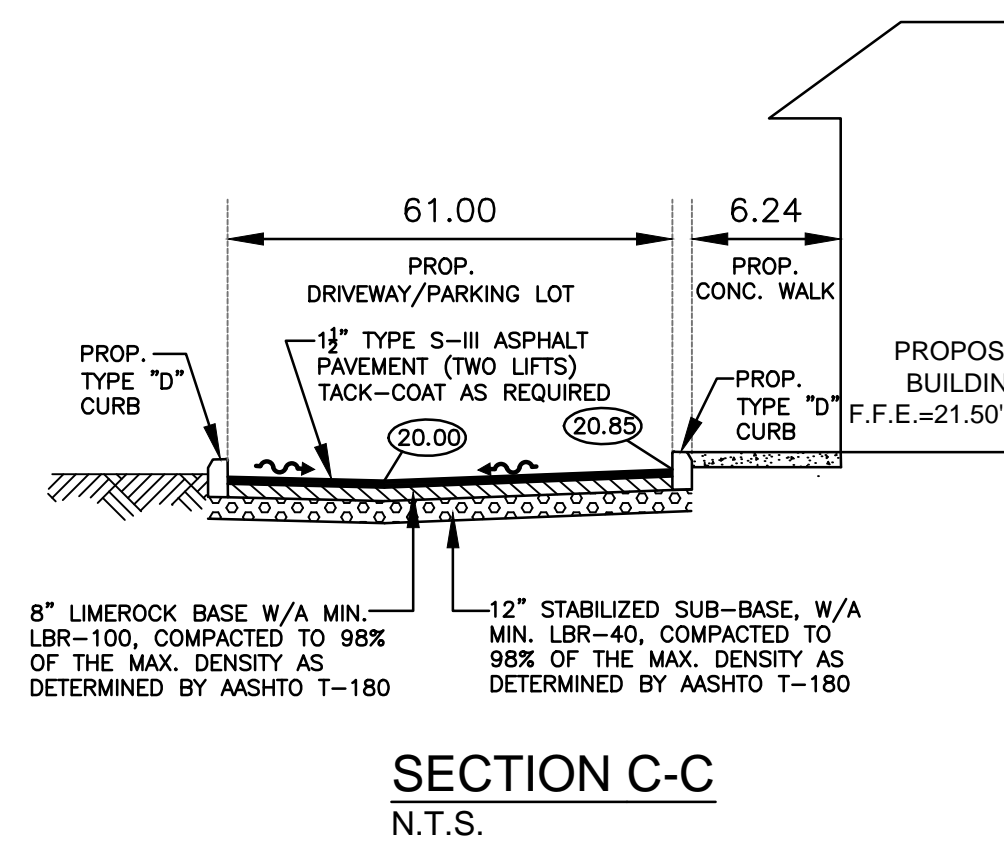
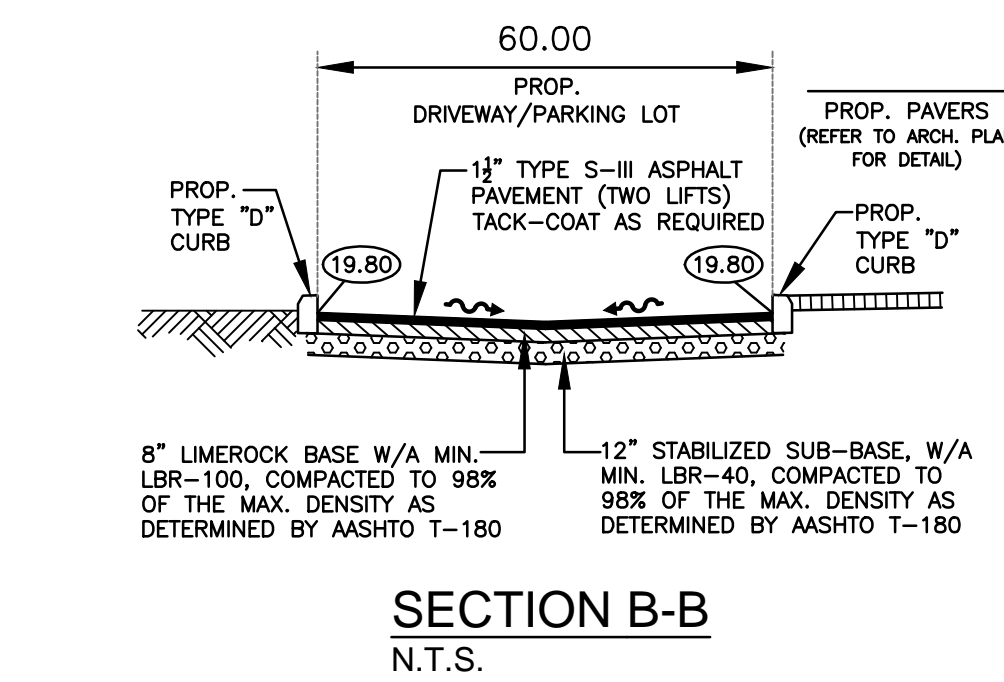
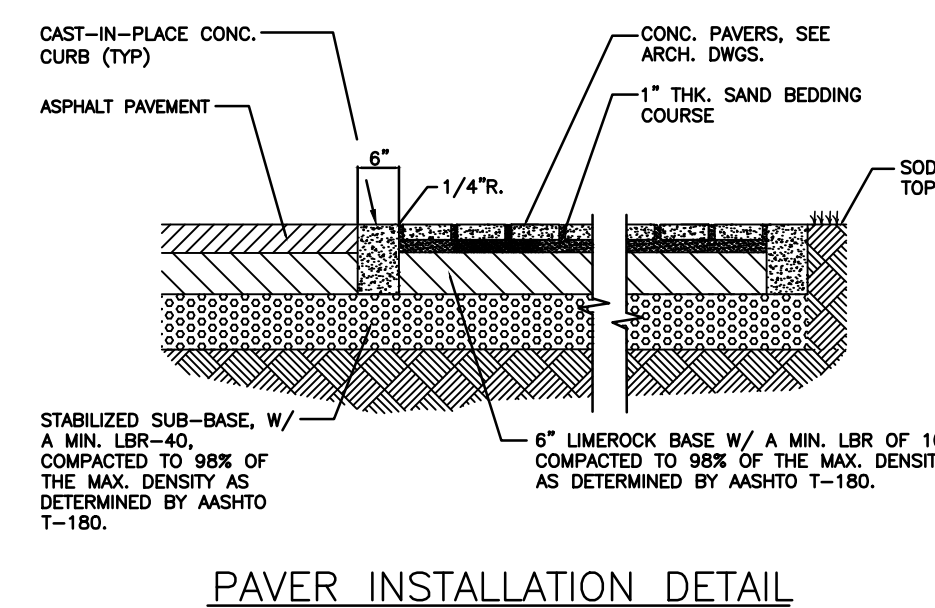
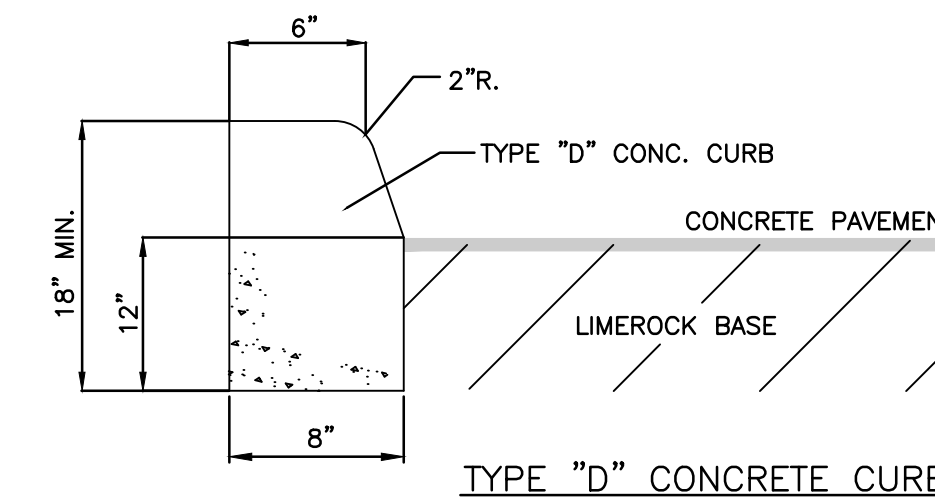
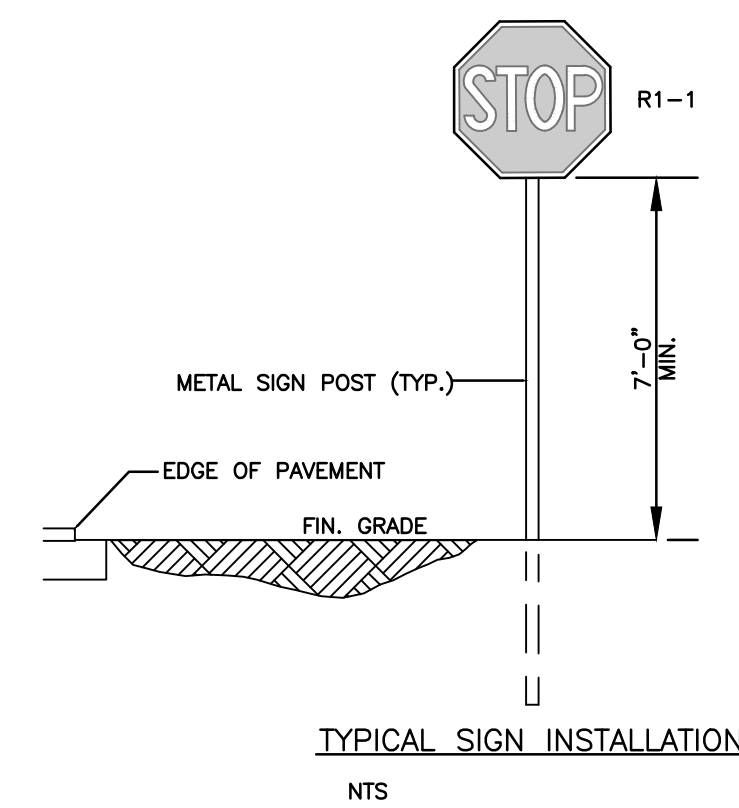


- NOTES:**
- TOP PORTION OF SIGN SHALL HAVE A REFLECTORIZED BLUE BACKGROUND.
  - BOTTOM PORTION OF SIGN SHALL HAVE A REFLECTORIZED WHITE BACKGROUND WITH BLACK OPAQUE LEGEND AND BORDER.
  - LOCATE SIGN AT CENTERLINE AND HEAD OF EACH HANDICAP PARKING STALL, WHERE APPLICABLE.



**CIVIL DETAILS & SECTIONS**  
N.T.S.

Revisions of Drawings

No.	Date	Revisions

Issues of Drawings

No.	Date	Issues
1	06.15.16	100% CD - PERMIT SET

Phase: PHASE  
Checked: CHECKED: SH  
Drawn: AA

**CIVIL DETAILS & SECTIONS**

WDA Proj. No.: 1526-01  
Owner Proj. No.:  
Scale: N.T.S.  
Sheet No.

C5.0  
No. of Sheets:

THIS DOCUMENT CONTAINS COPYRIGHTED MATERIAL AND TRADE SECRET INFORMATION BELONGING EXCLUSIVELY TO WILLIAMSON DACAR ASSOCIATES, INC. ANY UNAUTHORIZED USE, DISCLOSURE, REPRODUCTION OR PUBLICATION OF ANY OF THE INFORMATION CONTAINED HEREIN MAY RESULT IN LEGAL ACTION.