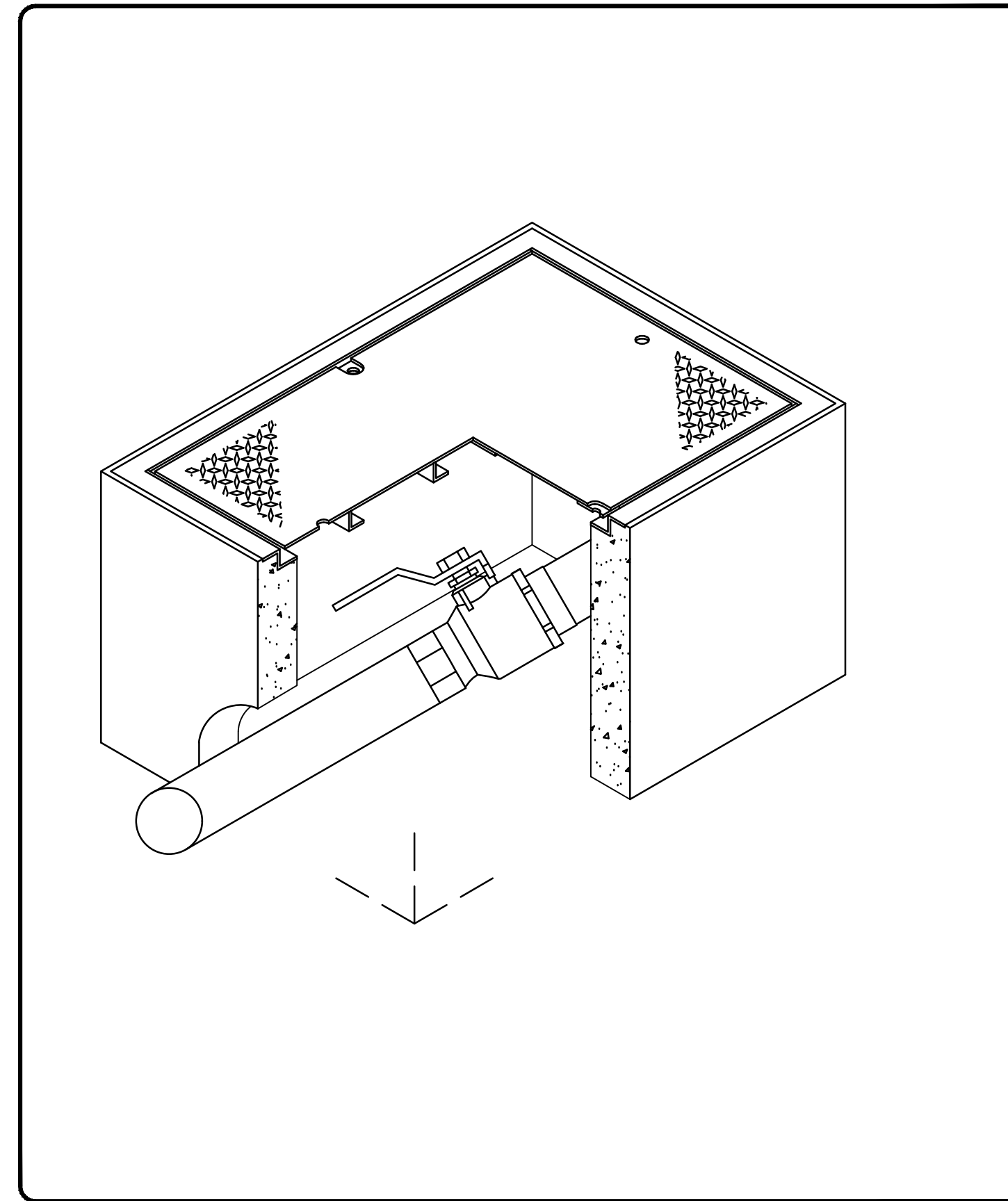
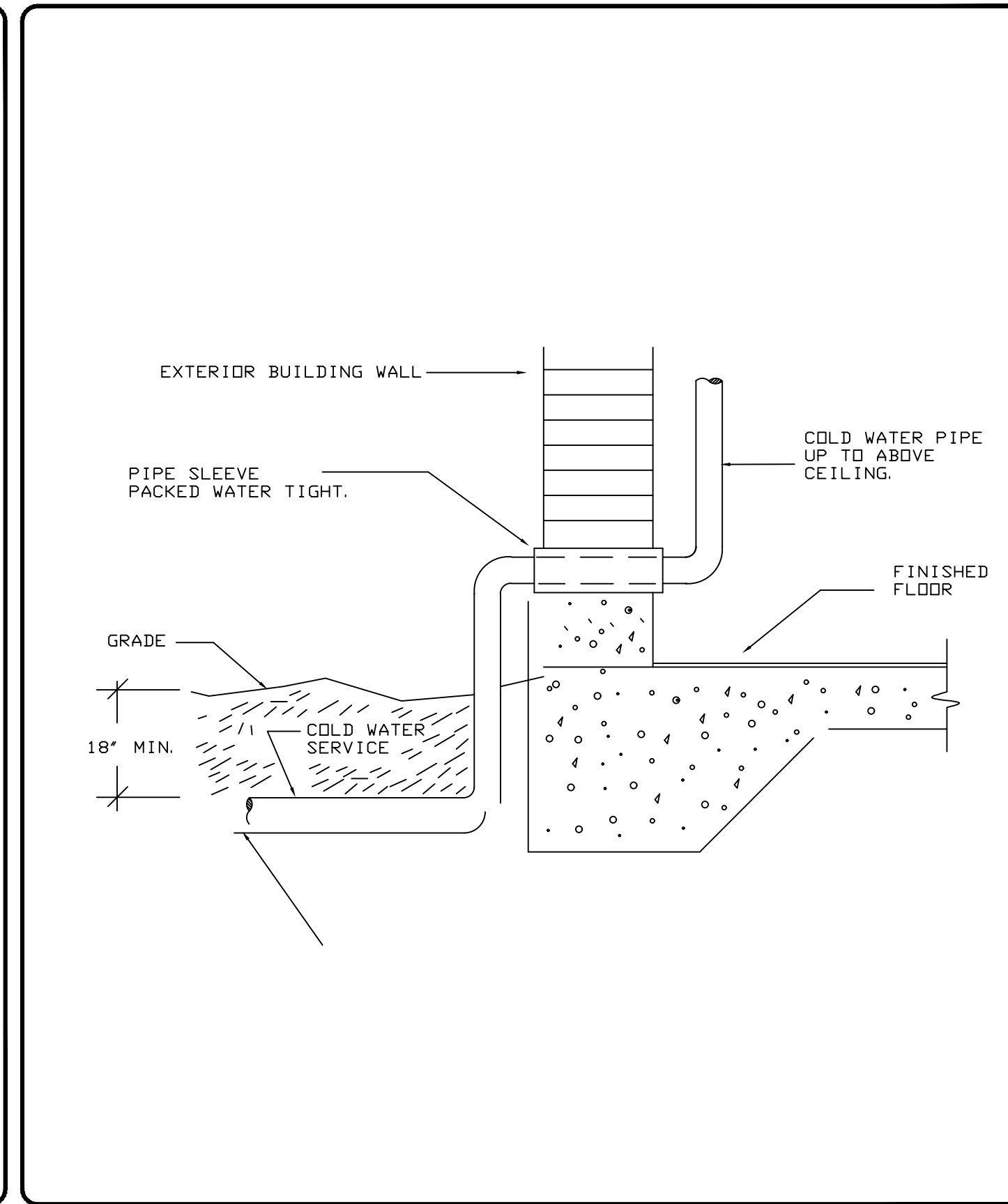


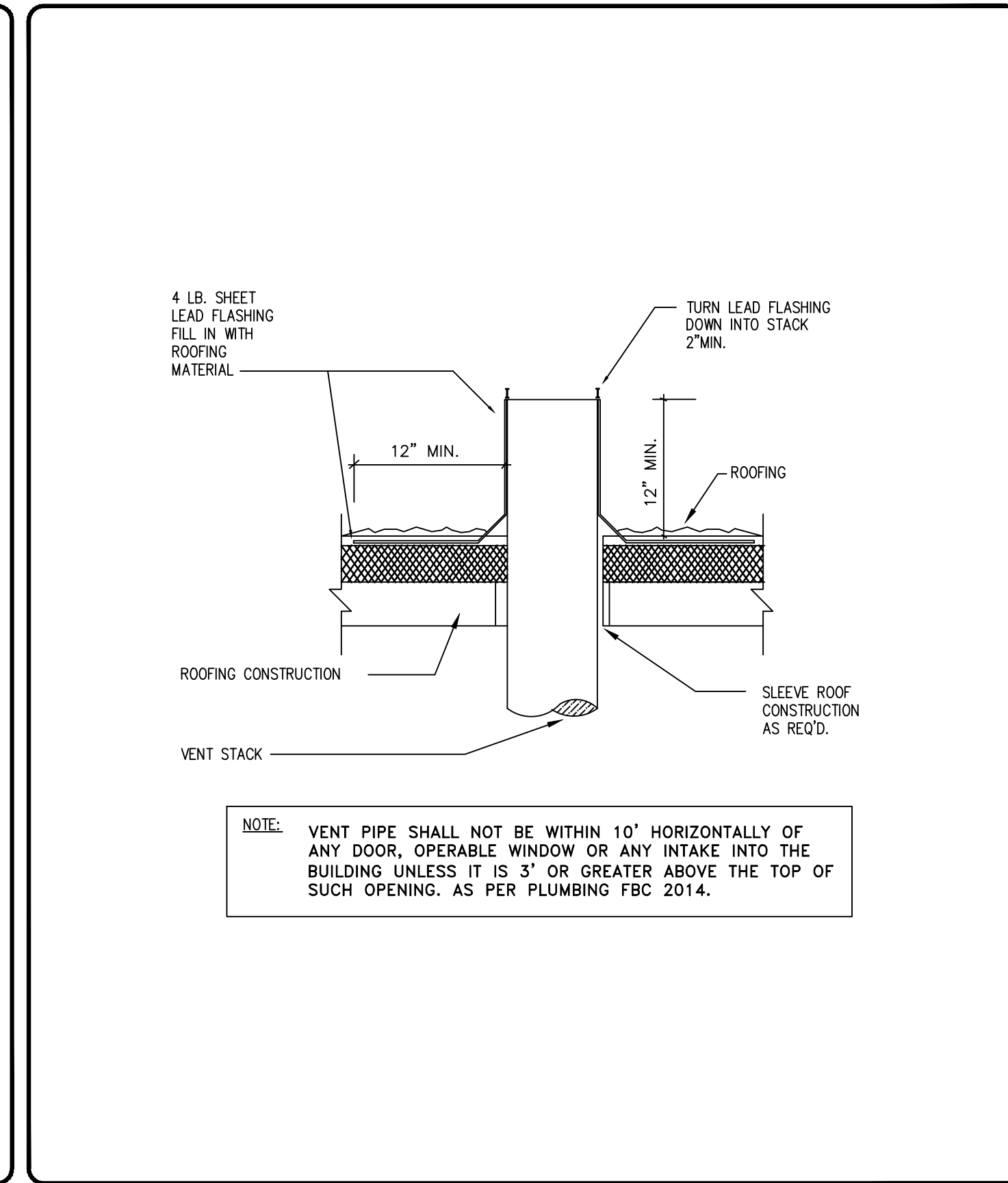
THIS DOCUMENT CONTAINS COPYRIGHTED MATERIAL AND IS MADE SUBJECT INFORMATION BELONGING EXCLUSIVELY TO WILLIAMSON DACAR ASSOCIATES, INC. ANY REPRODUCTION OR TRANSMISSION OF THIS INFORMATION, IN ANY MANNER, WITHOUT THE WRITTEN PERMISSION OF WILLIAMSON DACAR ASSOCIATES, INC. IS PROHIBITED.



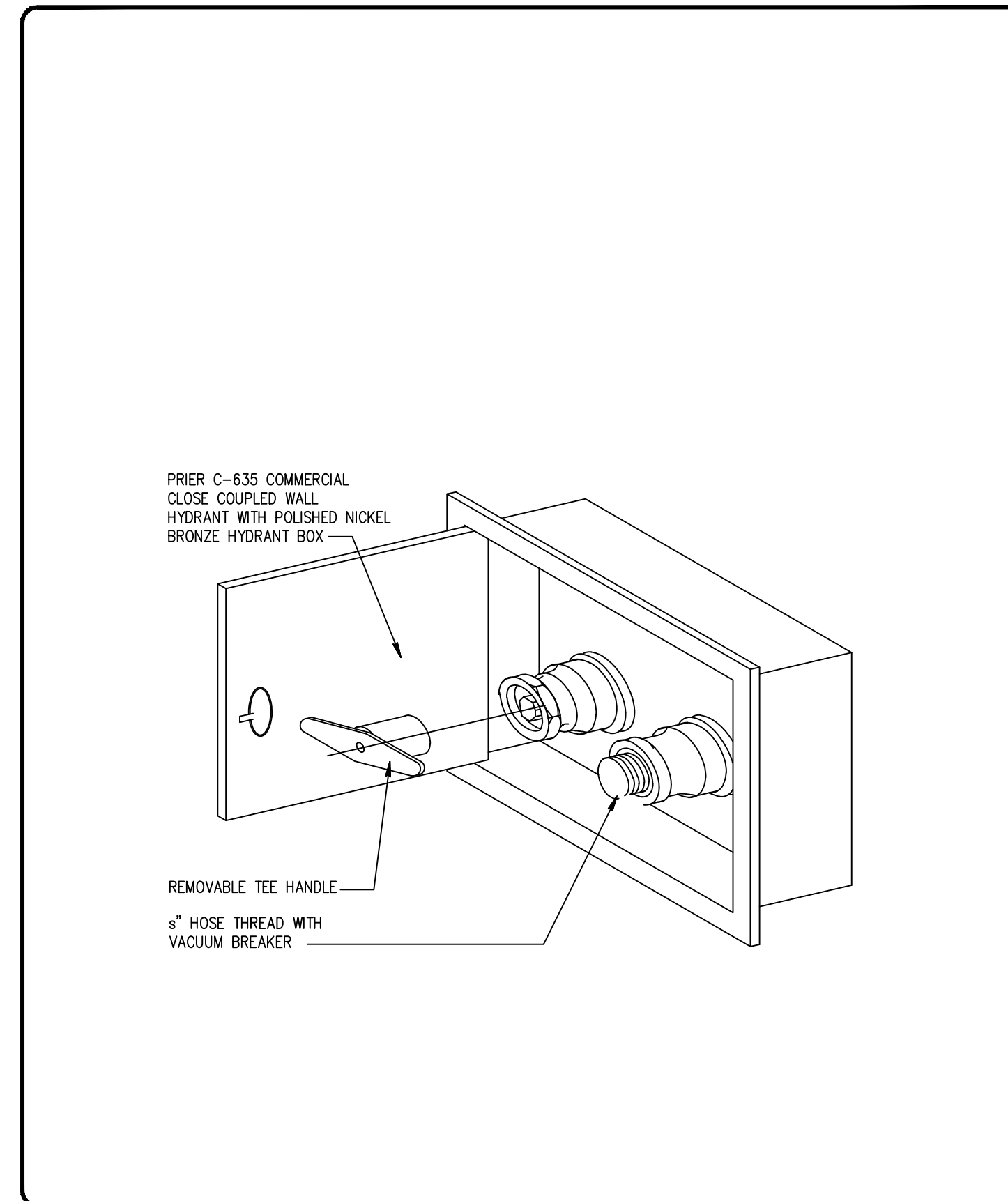
SHUT OFF VALVE IN BOX DETAIL
N.T.S



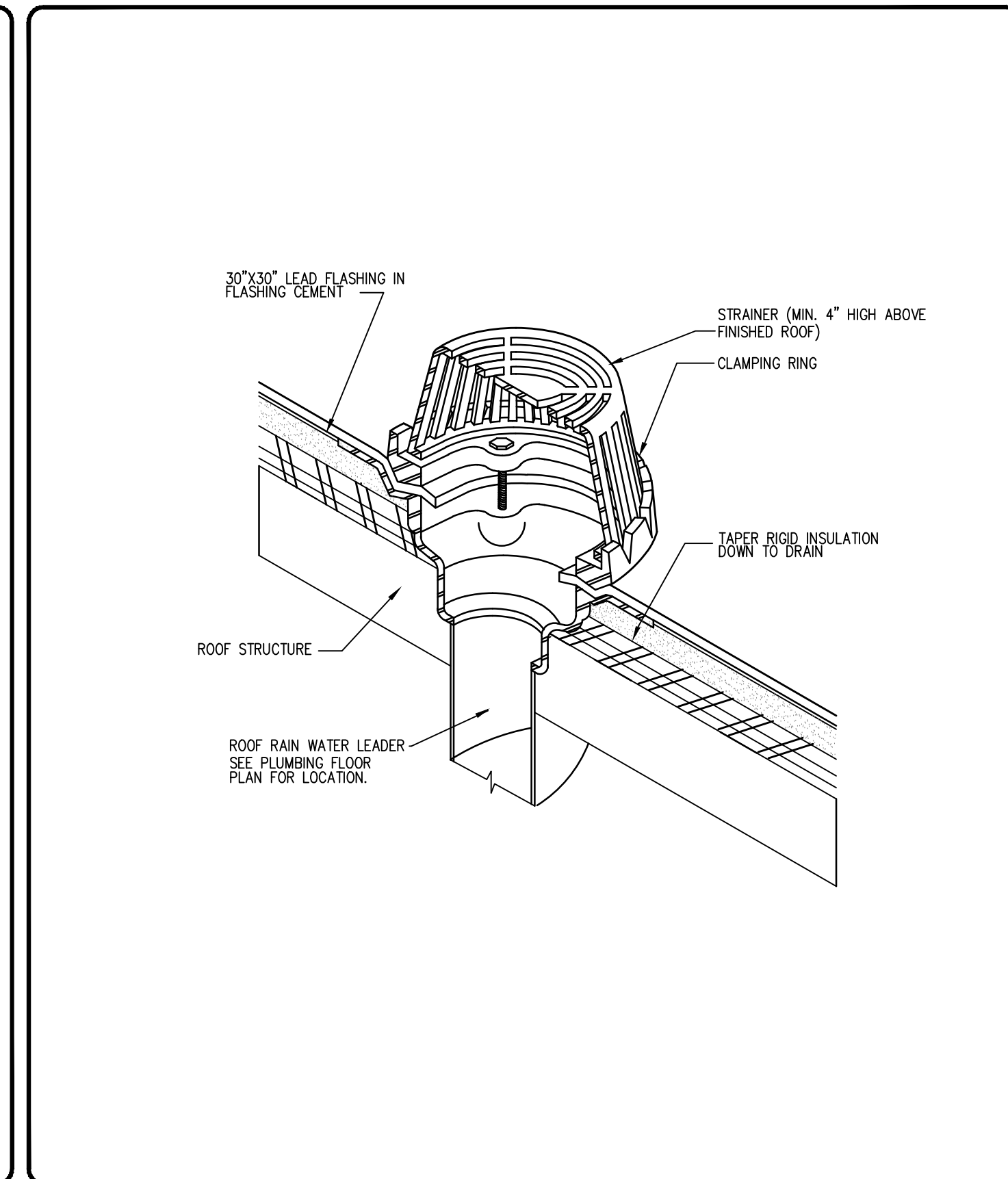
MAIN WATER SERVICE DETAIL
N.T.S



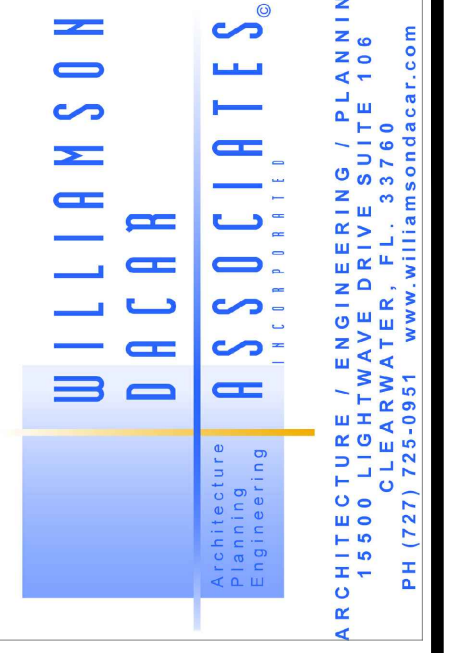
VENT THRU ROOF DETAIL
N.T.S



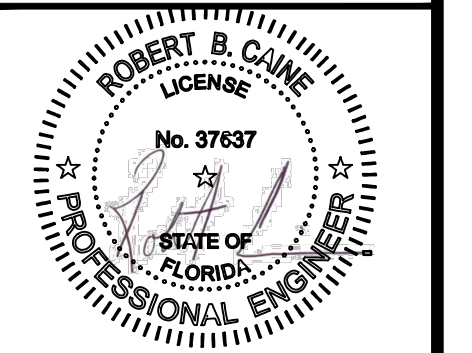
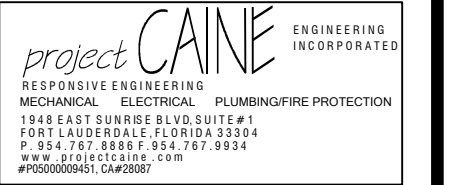
WALL HYDRANT DETAIL



ROOF DRAIN DETAIL
N.T.S



Architect: AA 0002541
Engineering: EB 0006884



WELLINGTON GREEN PARCEL "F"
PHASE II RETAIL "H" MODIFICATION

2546 SOUTH STATE ROAD 7
WELLINGTON, FLORIDA 33414

Revisions of Drawings		
No.	Date	Revisions

Issues of Drawings		
No.	Date	Issues
1	06.15.16	100% CD - PERMIT SET

Phase:
Checked:
Drawn: BDL

Drawing Title
**PLUMBING
DETAILS**

WDA Proj. No.: 1526-01
Owner Proj. No.:
Scale: AS NOTED

Sheet No.
P-7.1
No. of Sheets: