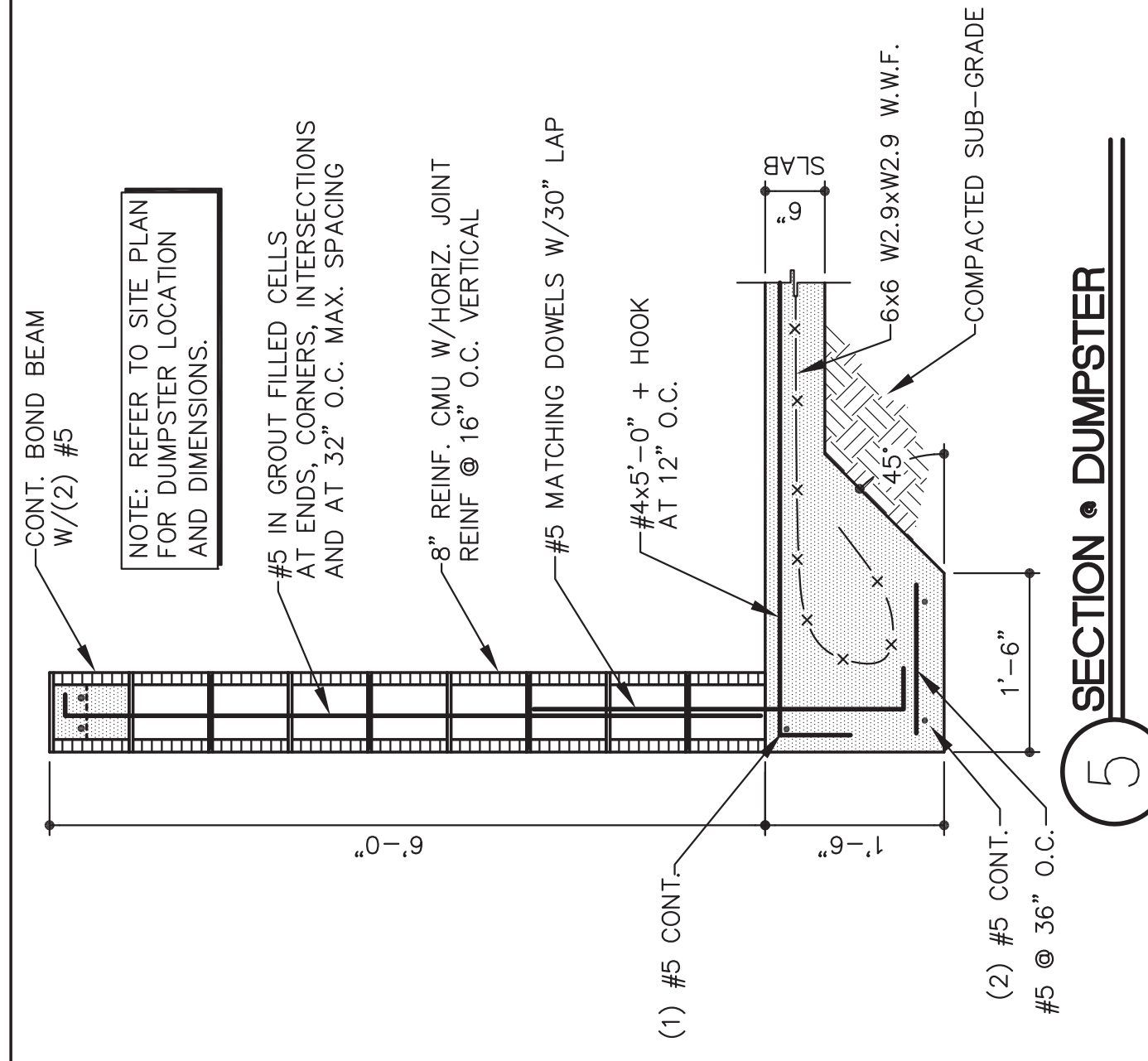
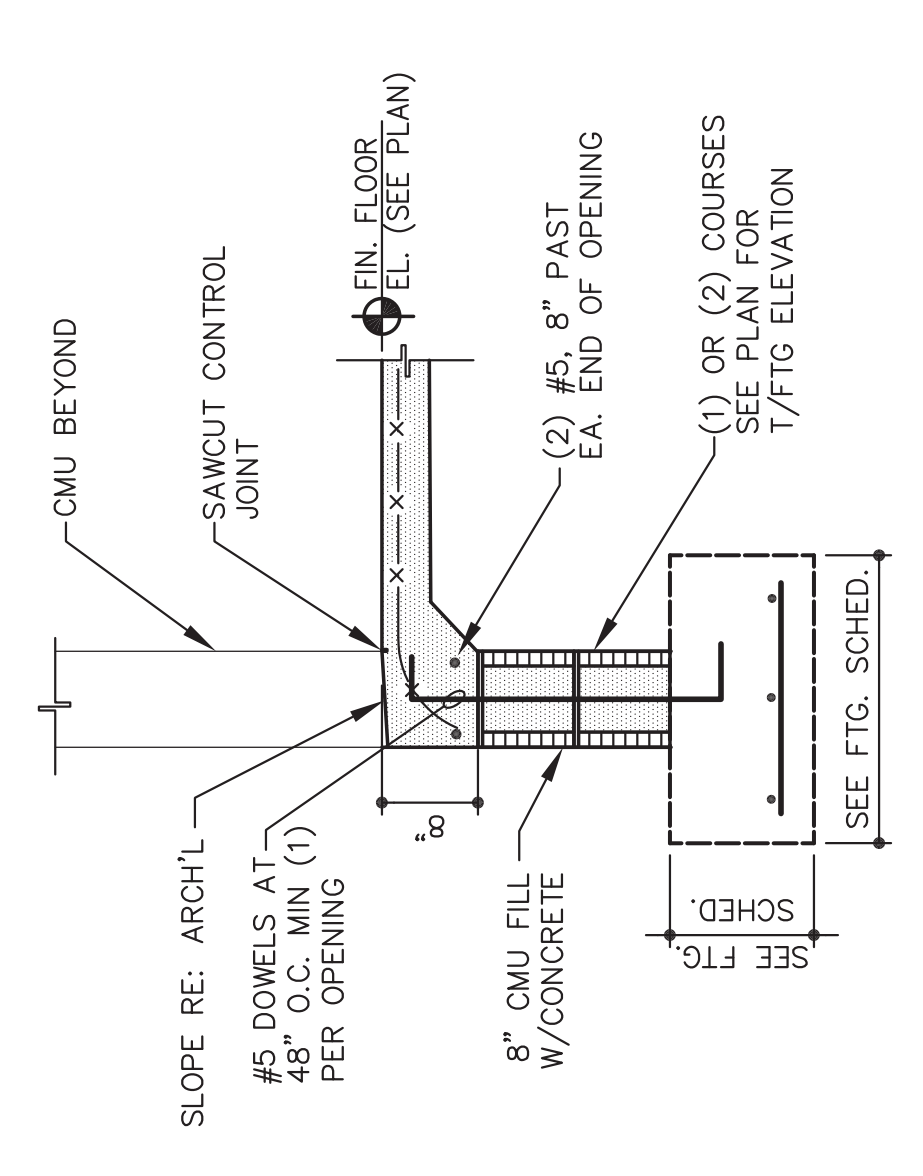


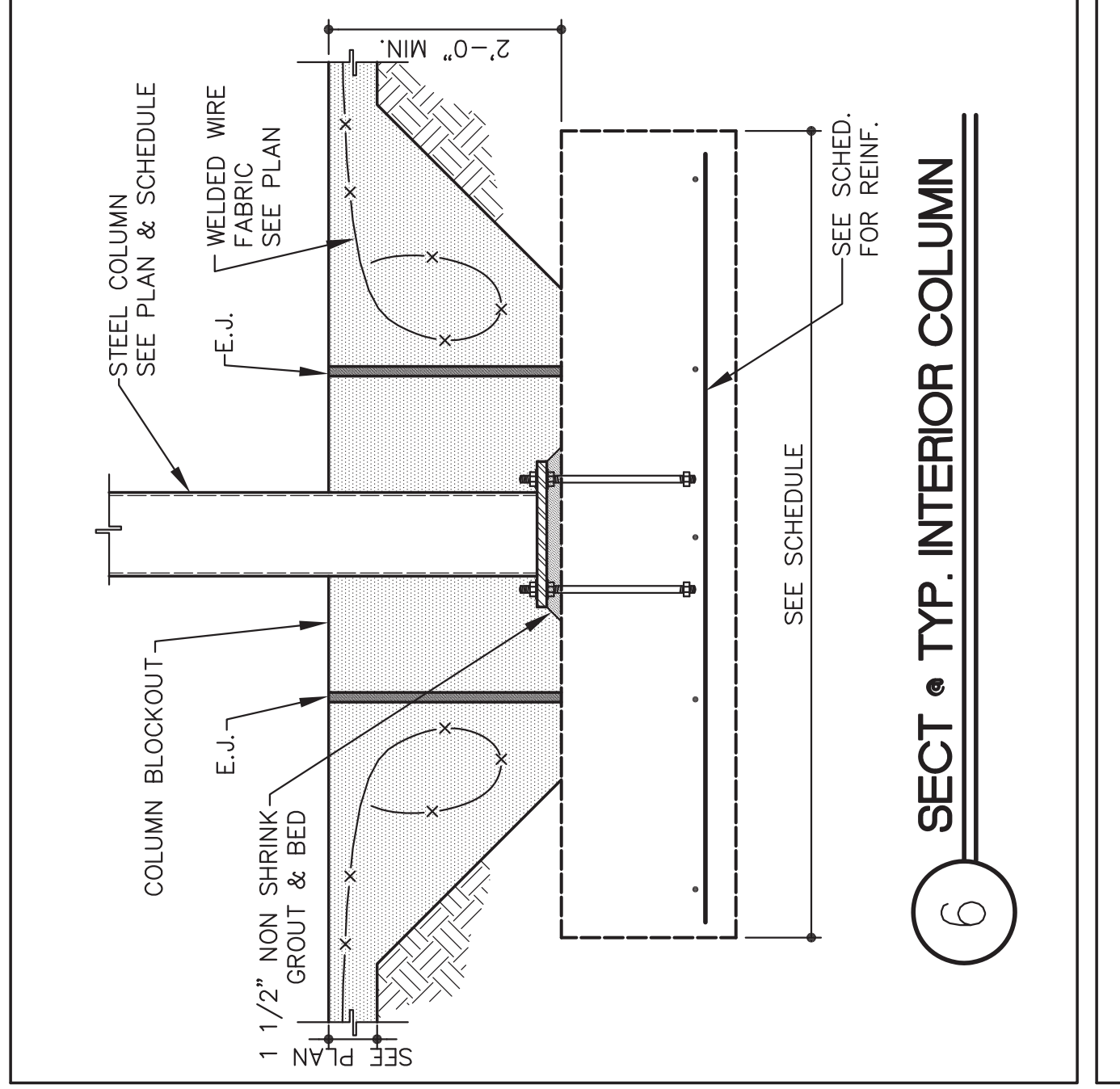
1 SECTION • WALL
SCALE: 3/4"=1'-0" TYP. U.N.O.



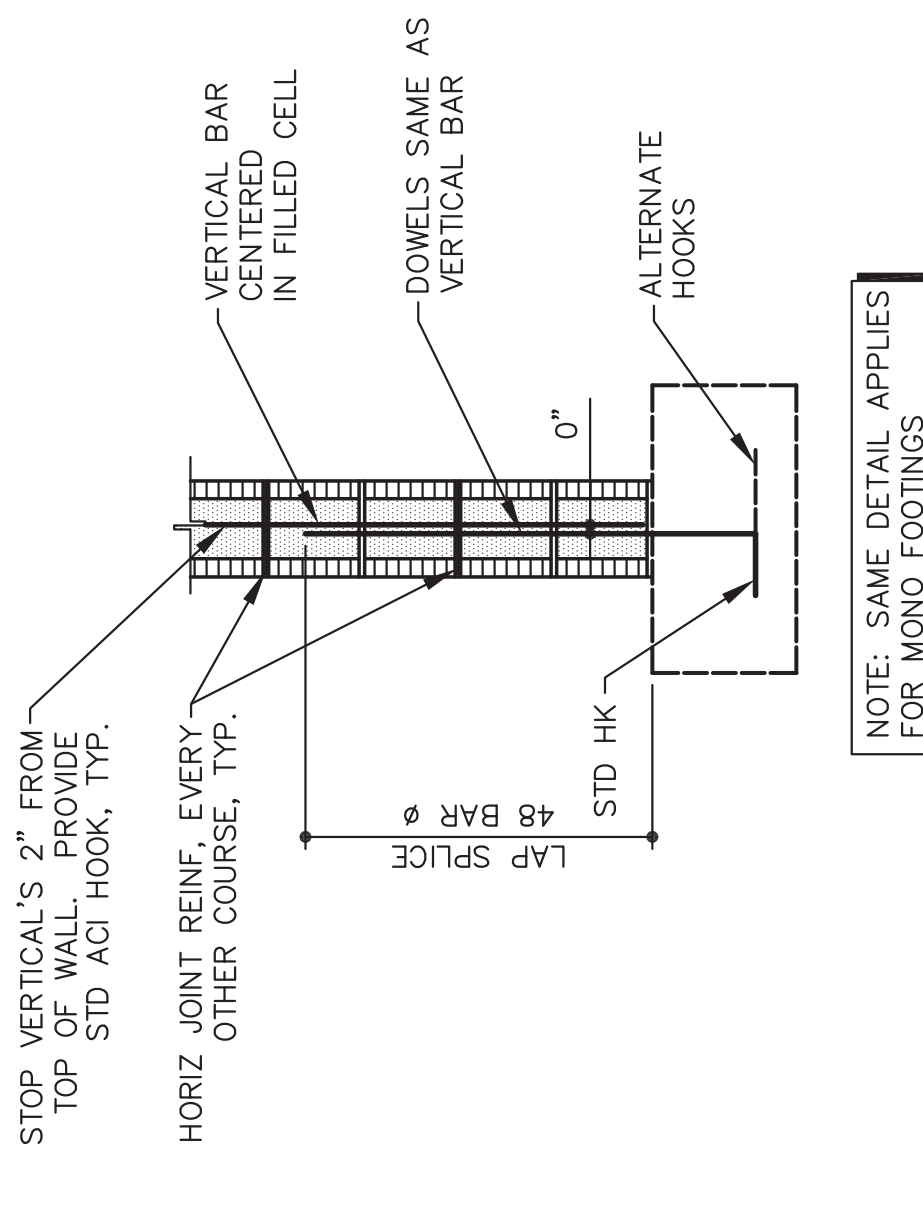
5 SECTION • DUMPSTER



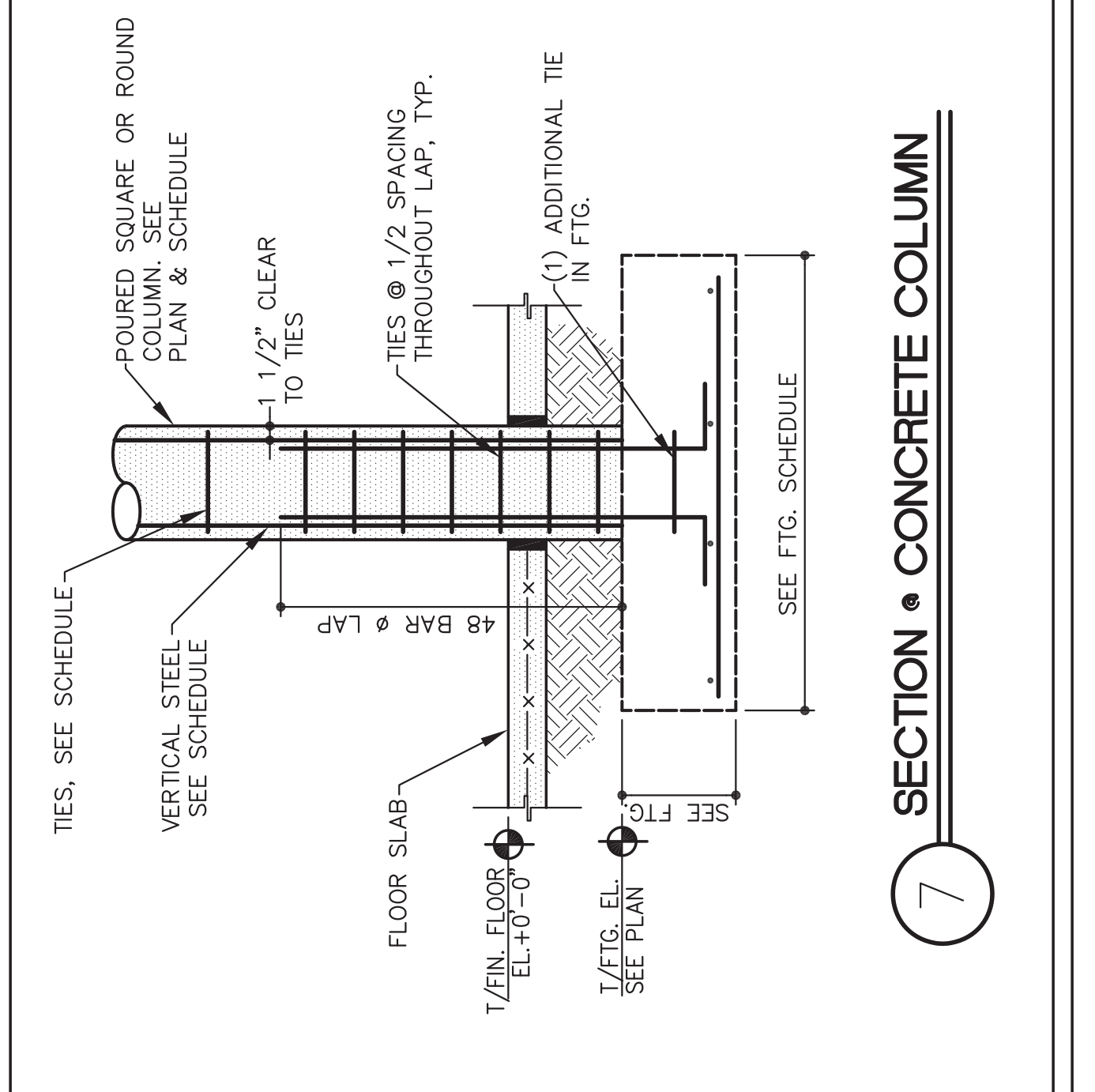
2 SECTION • DOOR OPENING



6 SECT • TYP. INTERIOR COLUMN



3 TYP. CMU FILLED CELL



7 SECTION • CONCRETE COLUMN

1. SEMI-RIGID EPOXY SHALL BE PROVIDED IN CONSTRUCTION & SAWCUT JOINTS WHERE EXPOSED TO VEHICULAR TRAFFIC. EPOXY SHALL BE MIXED BY METZGER/McGUIRE OR EUCO 700 BY EUCLID.

2. CONCRETE SHALL AGE A MINIMUM OF 45 DAYS. CHASE THE JOINT WITH A CONCRETE SAW AND BLOW CLEAN W/ COMPRESSED AIR.

3. USE BACKER ROD TO CREATE VERTICAL DAM AT EA END OF THE LEG TO BE FILLED. DO NOT USE BACKER ROD AT THE BOTTOM OF THE JOINT.

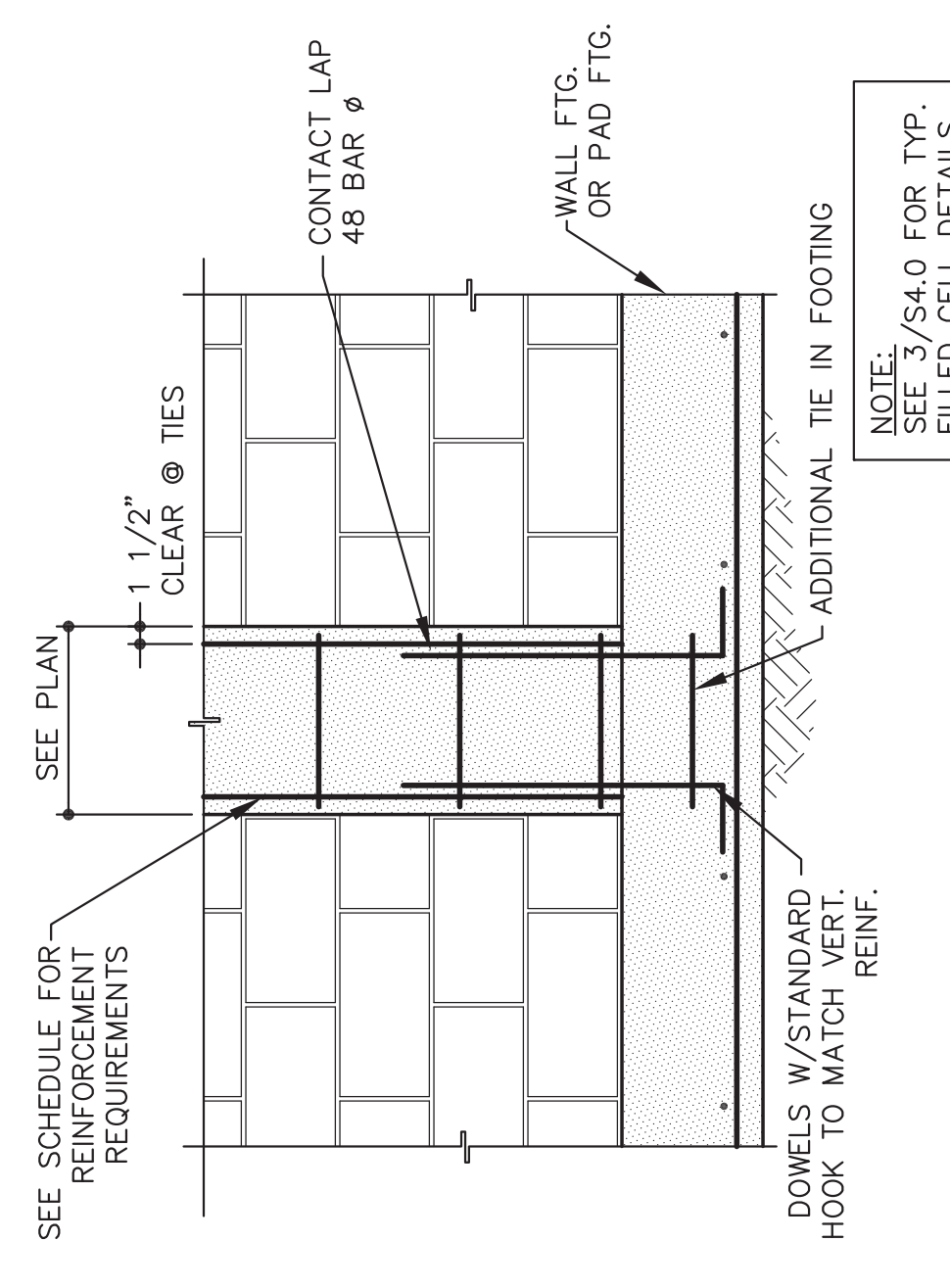
4. LEAVE THE SURFACE CROWNED AND GRIND FLUSH AFTER IT HAS HARDENED.

3/8\"/>

A SLAB-ON-GRADE DETAILS FOR 4\"/>

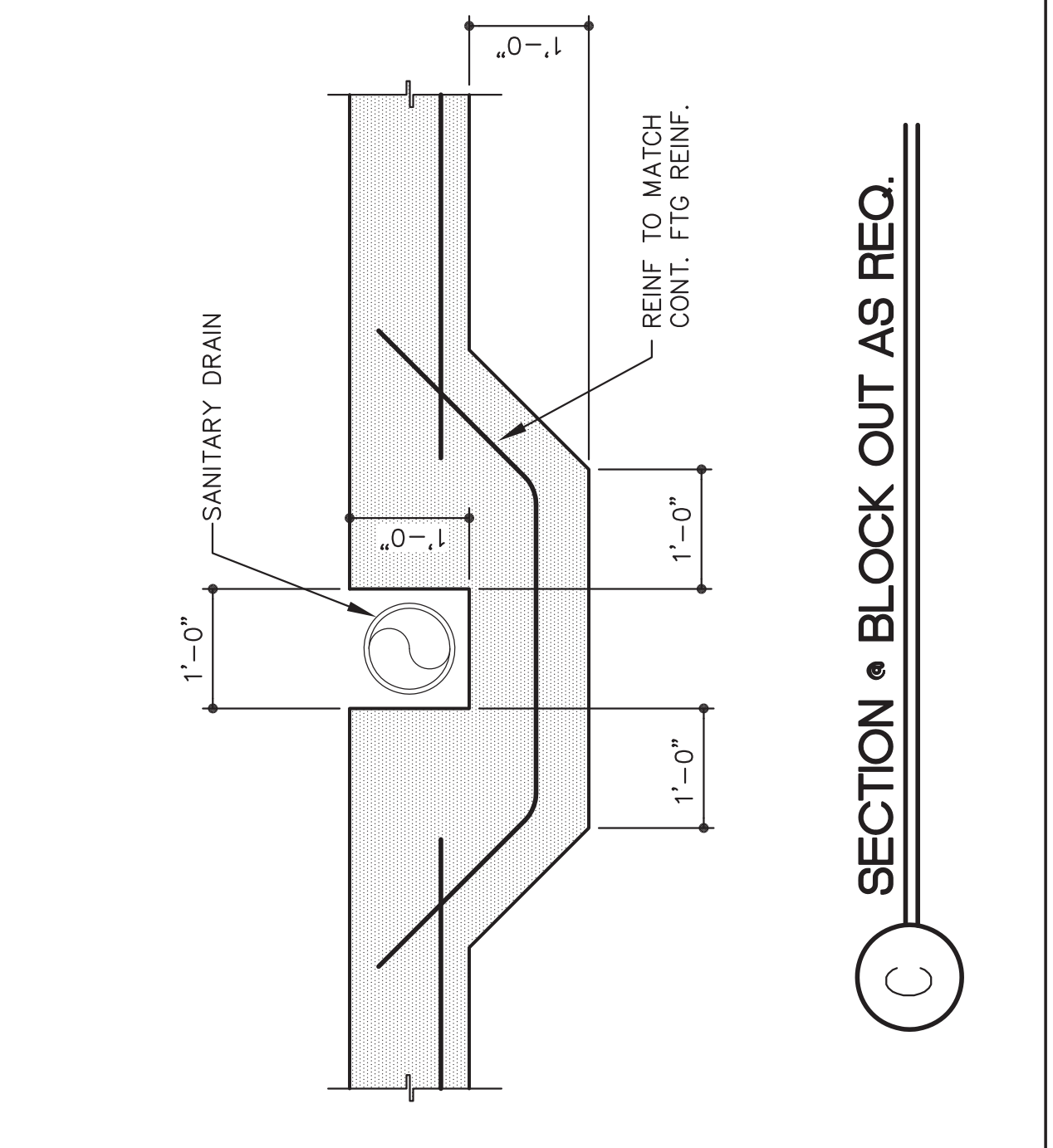
B CORNER BAR DETAIL
C SECTION • BLOCK OUT AS REQ.

NTS



4 DETAIL • TYP. TIE COLUMN

8 NOT USED



C SECTION • BLOCK OUT AS REQ.