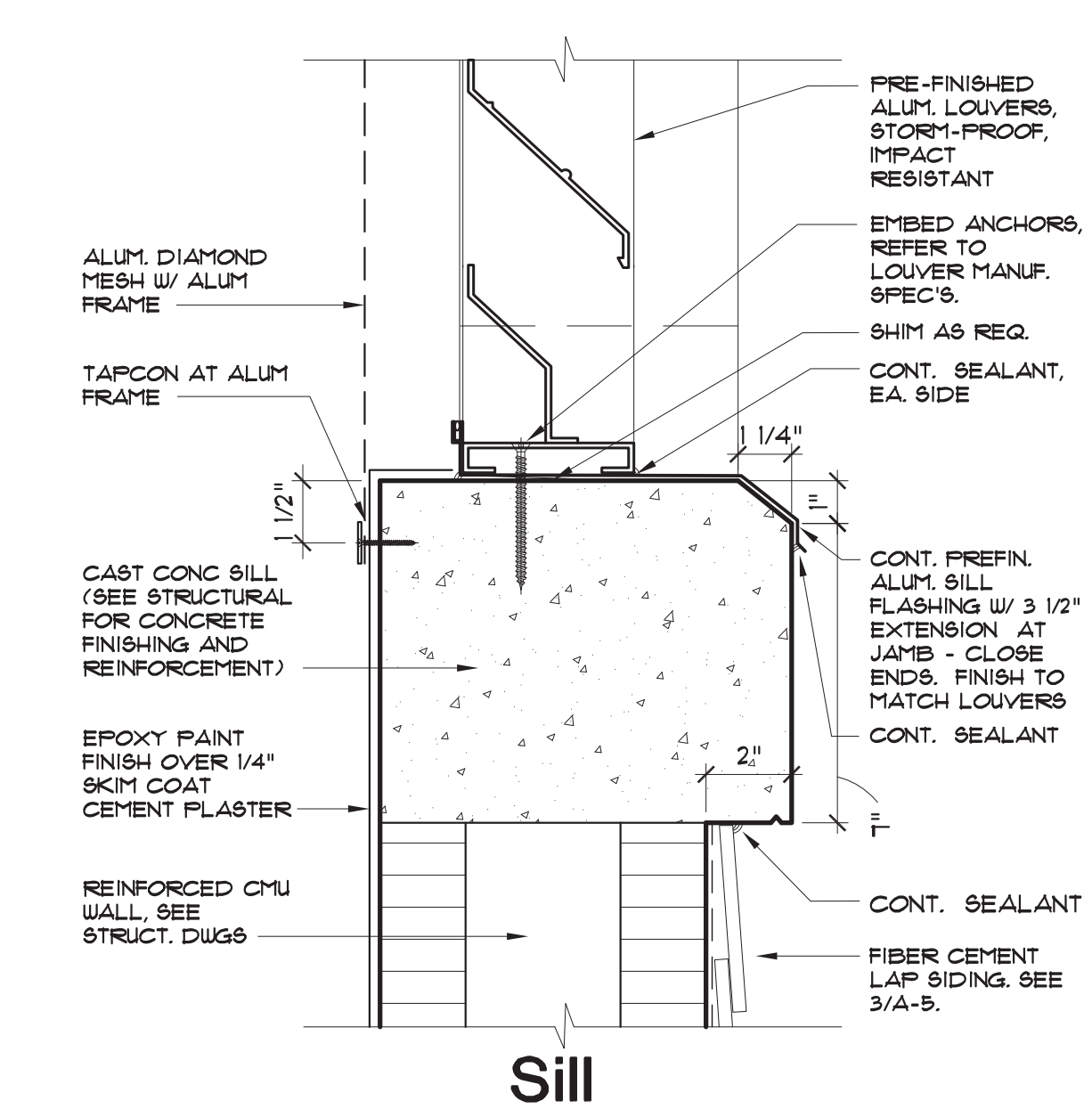
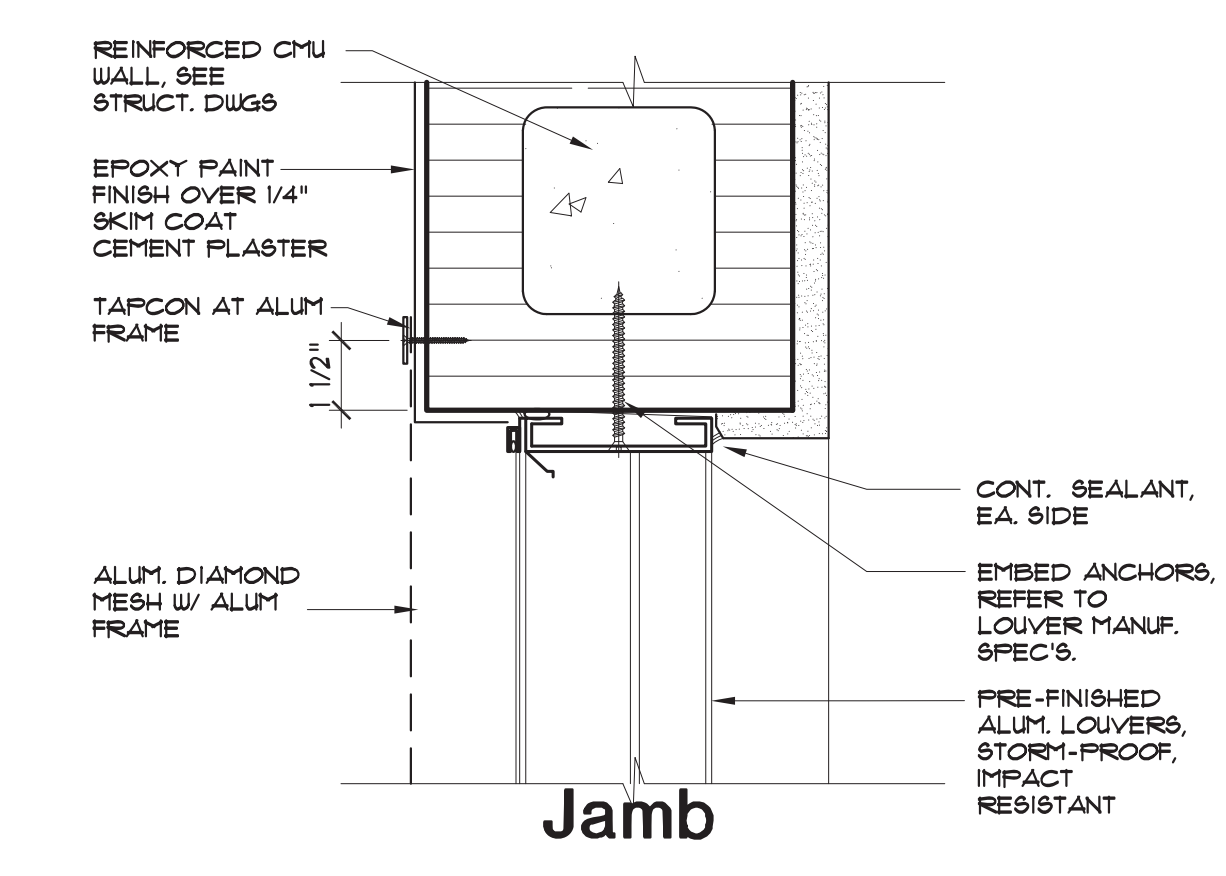
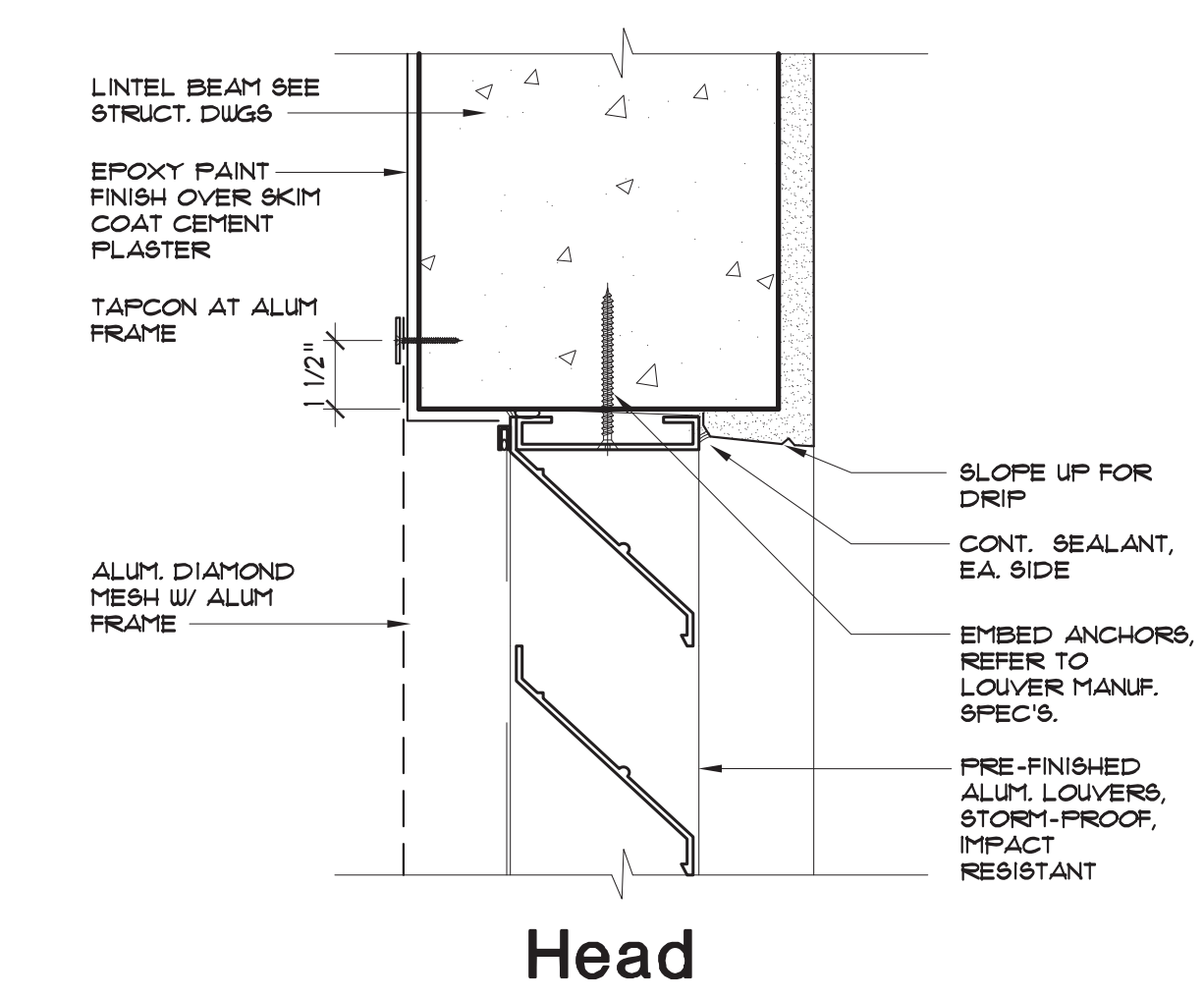


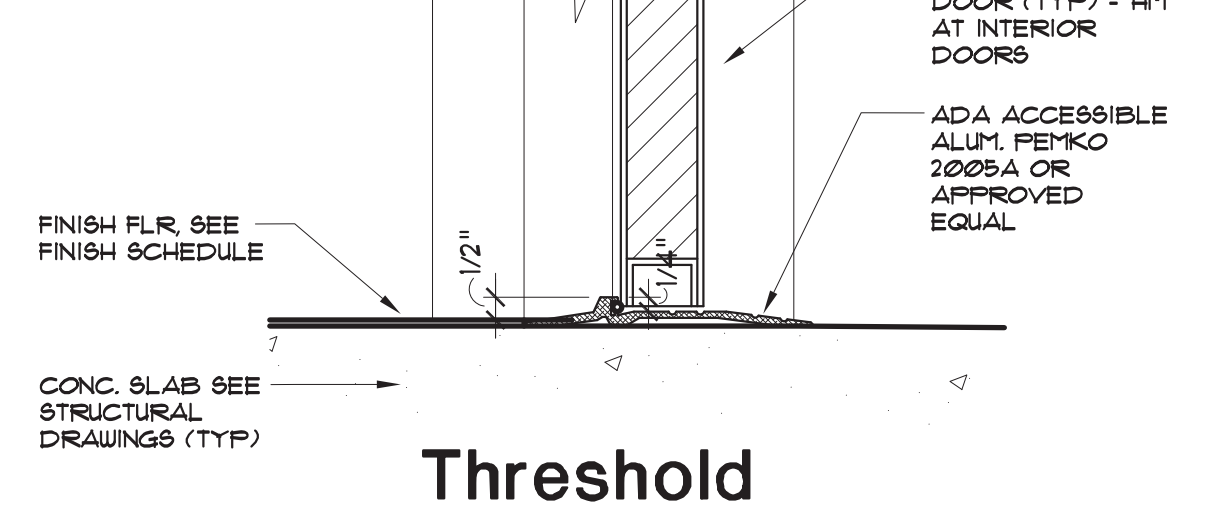
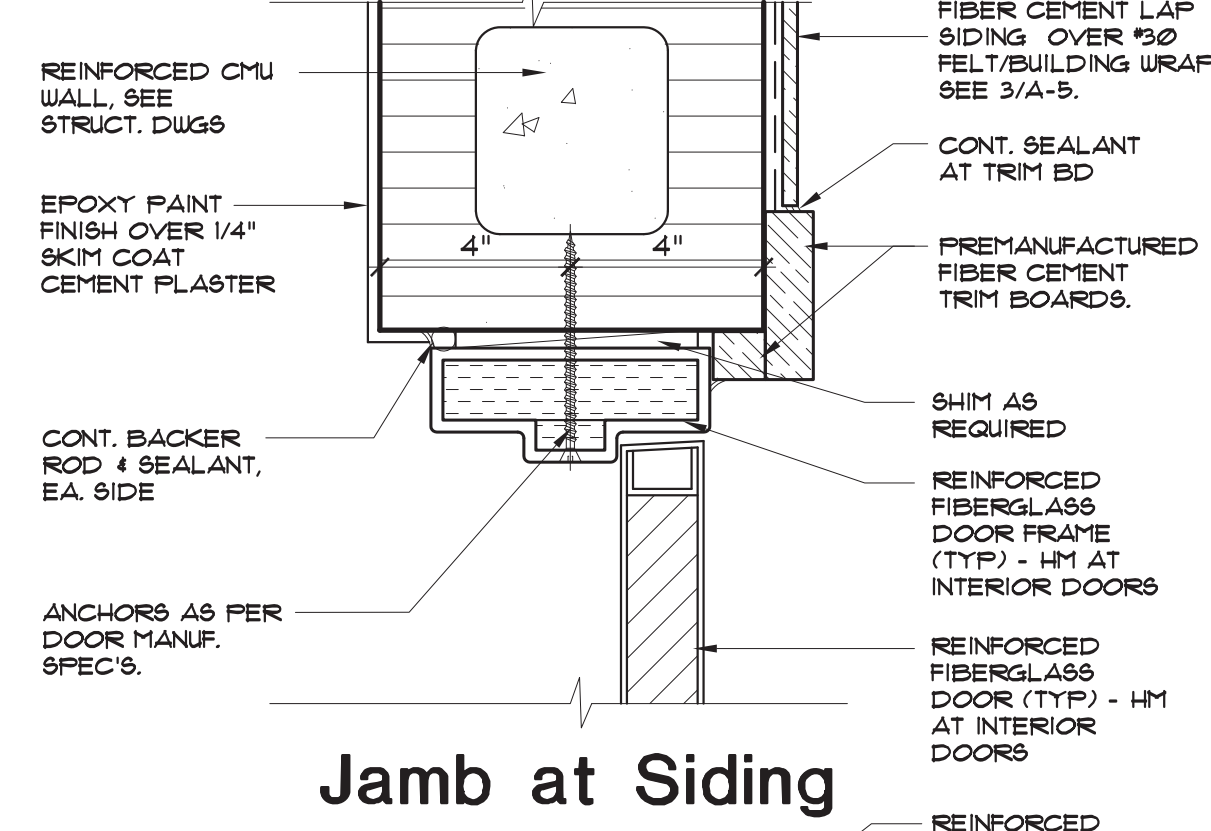
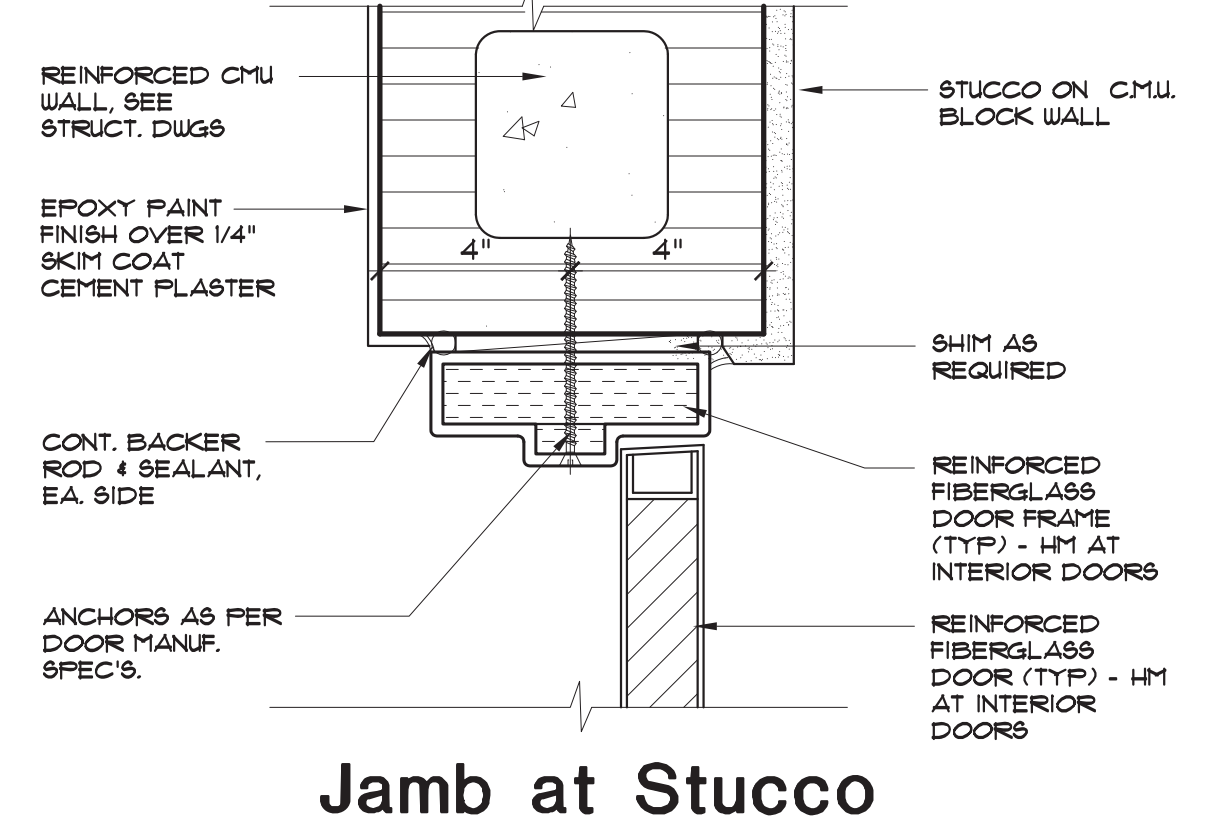
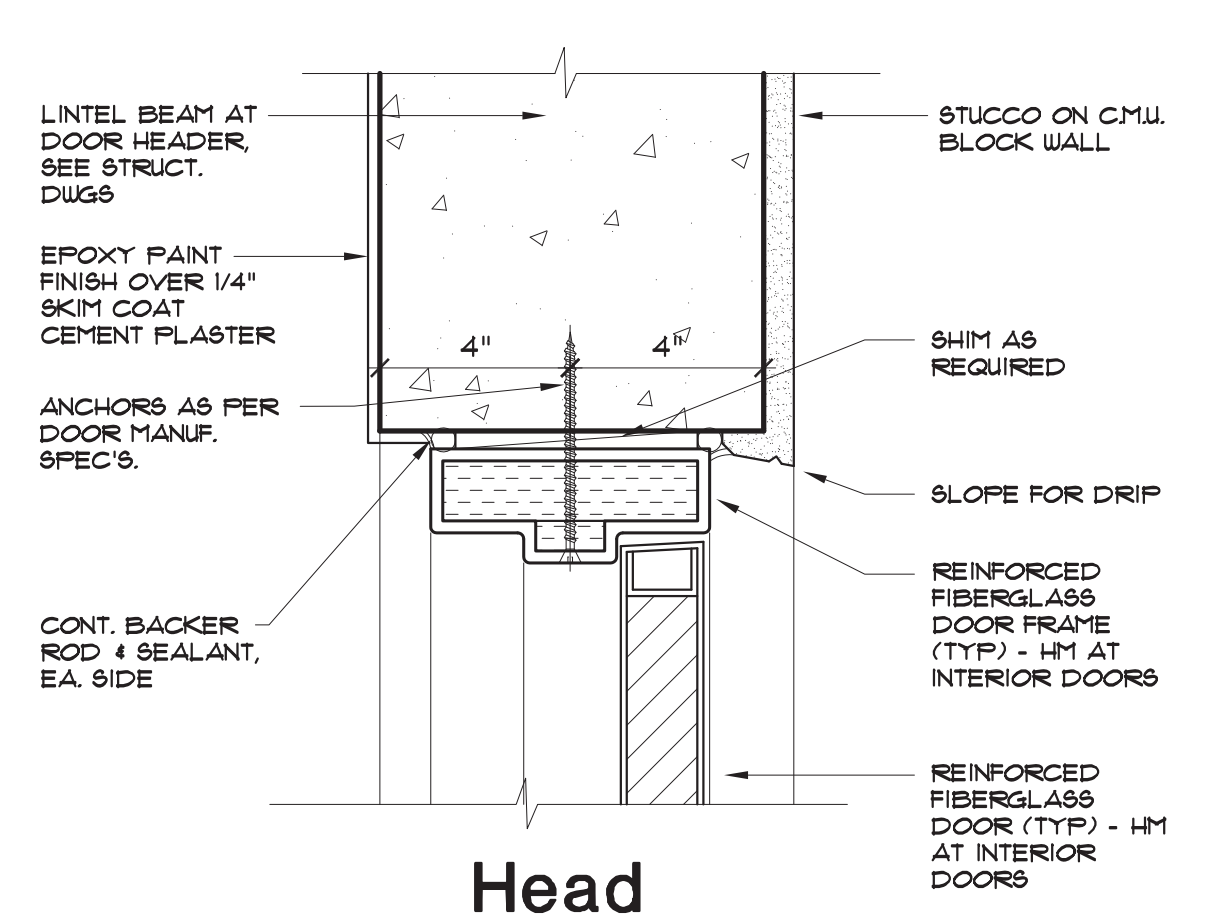
**WALL TYPES**

SCALE: 1/2"=1'-0" **5**



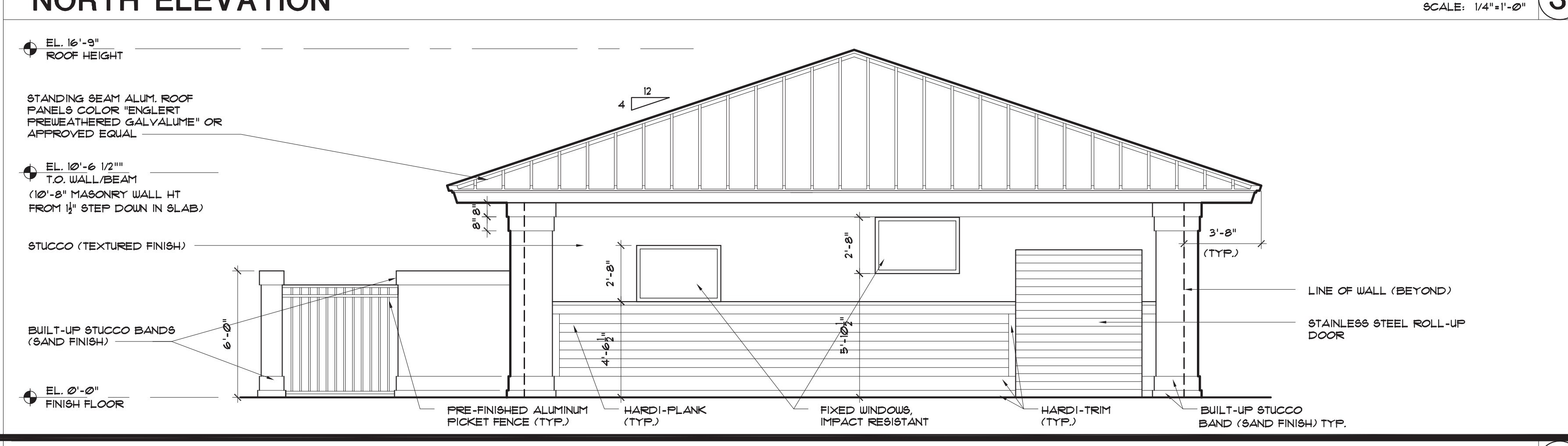
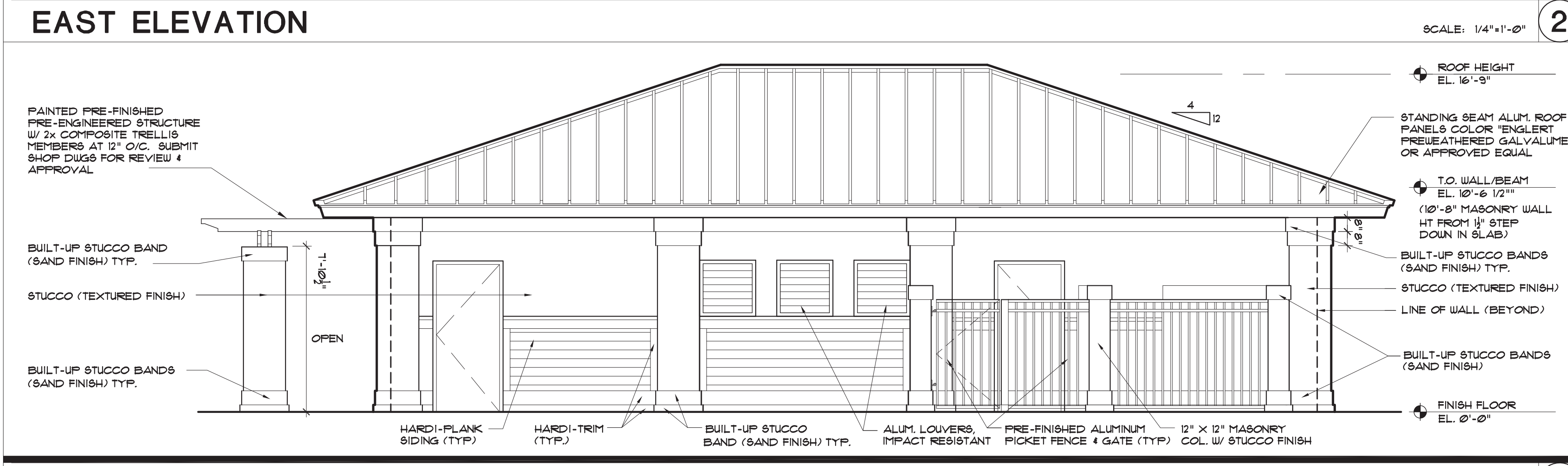
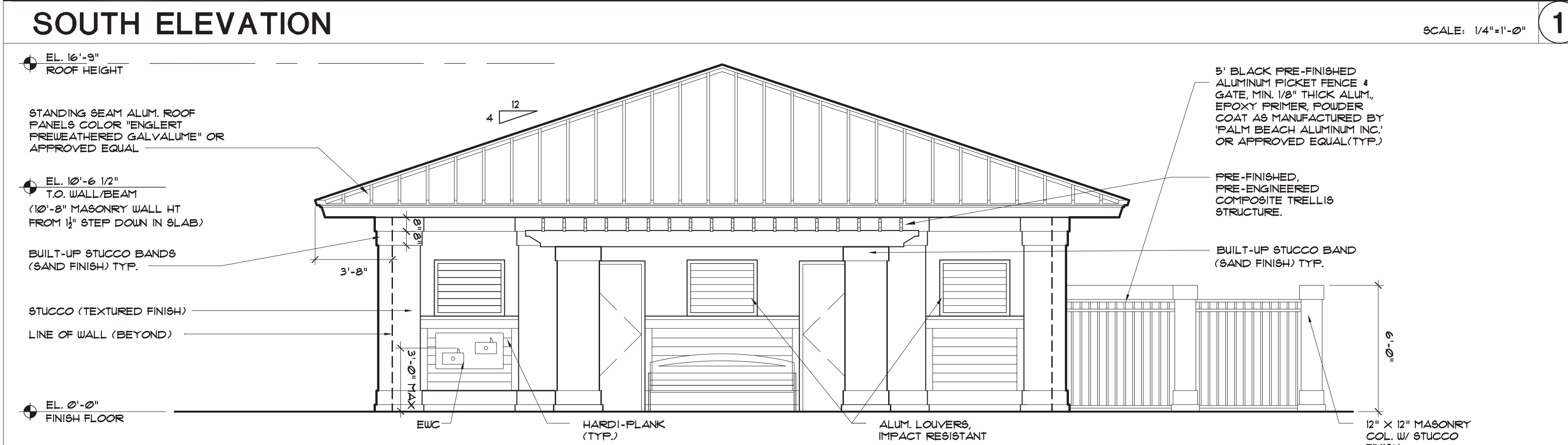
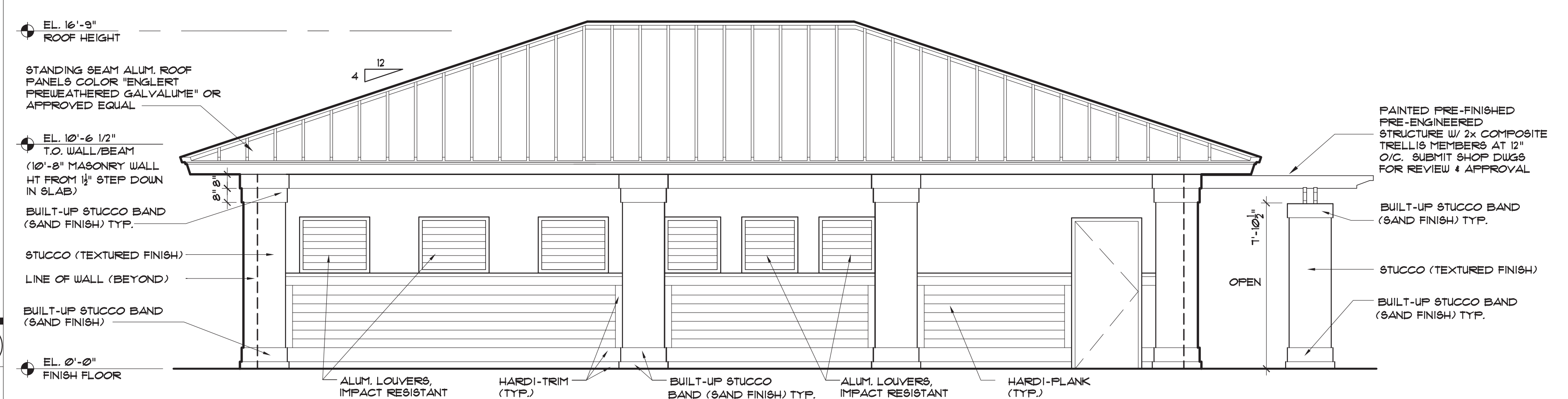
**LOUVER DETAIL**

SCALE: 3/4"=1'-0" **7**



**DOOR DETAIL**

SCALE: 3/4"=1'-0" **6**



**WEST ELEVATION**

**COLOME' & Associates, Inc.**  
AA 0003439  
530 24TH STREET  
WEST PALM BEACH  
FLORIDA 33407  
(561) 833-9147  
ARCHITECT: ELIZABETH A. & COLOME  
REG. NUMBER: AR.004839

**P. B. C.**  
R.G. KREUSLER PARK  
RESTROOM BUILDING  
AND ENTRY DRIVE  
MODIFICATIONS  
PBC NO 14204  
2886 SOUTH OCEAN BLVD.

LAKE WORTH  
FLORIDA  
PROJECT NO.  
201402

SHEET TITLE:  
**EXTERIOR  
ELEVATIONS  
AND DETAILS**

**REVISIONS:**

DATE  
11/20/15  
DRAWN BY:  
DM  
CHECKED BY:  
EAC  
SHEET  
NUMBER

**A-3**