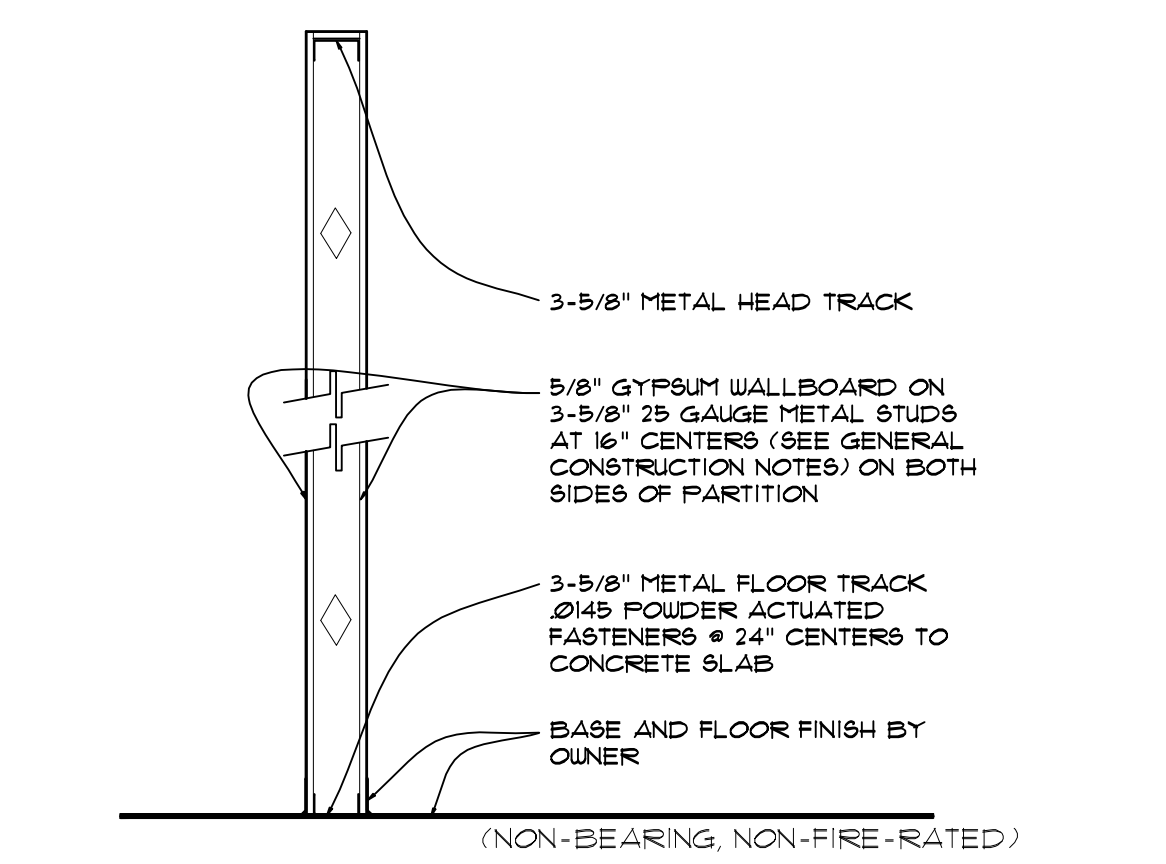
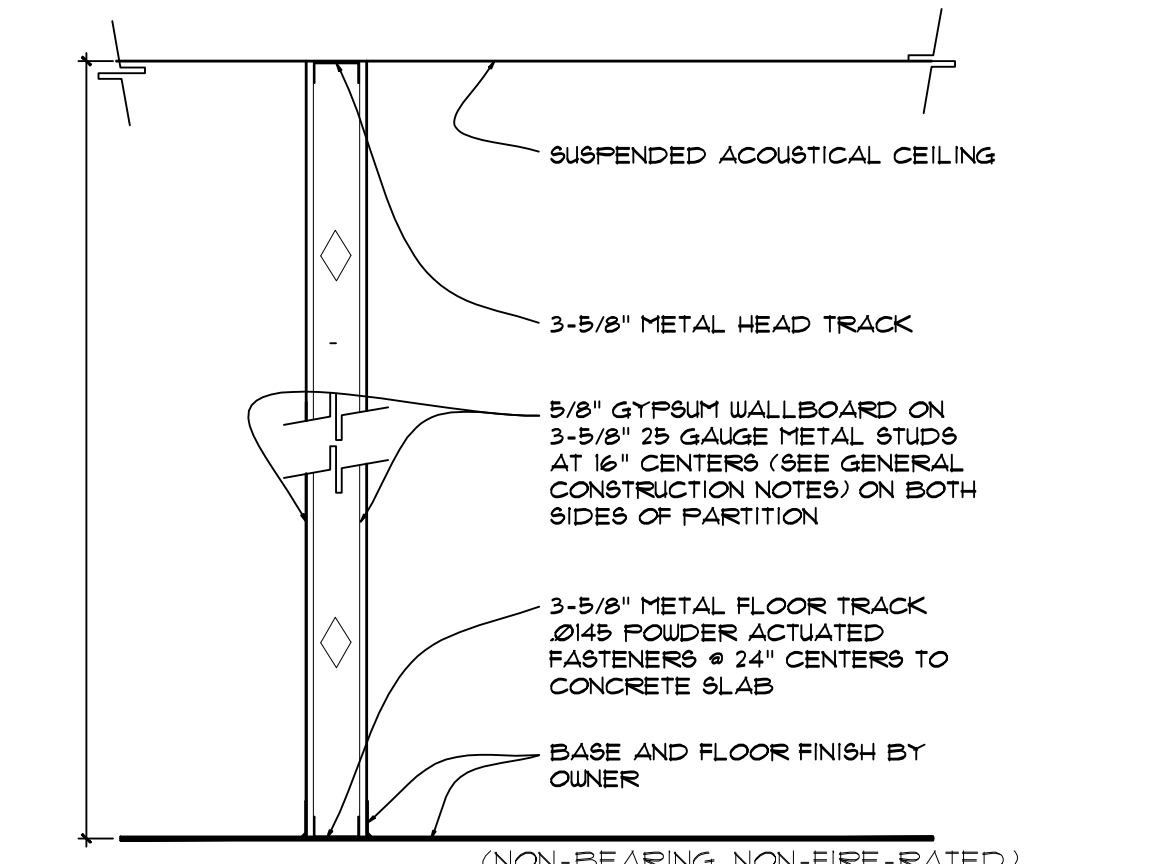


DOOR SCHEDULE

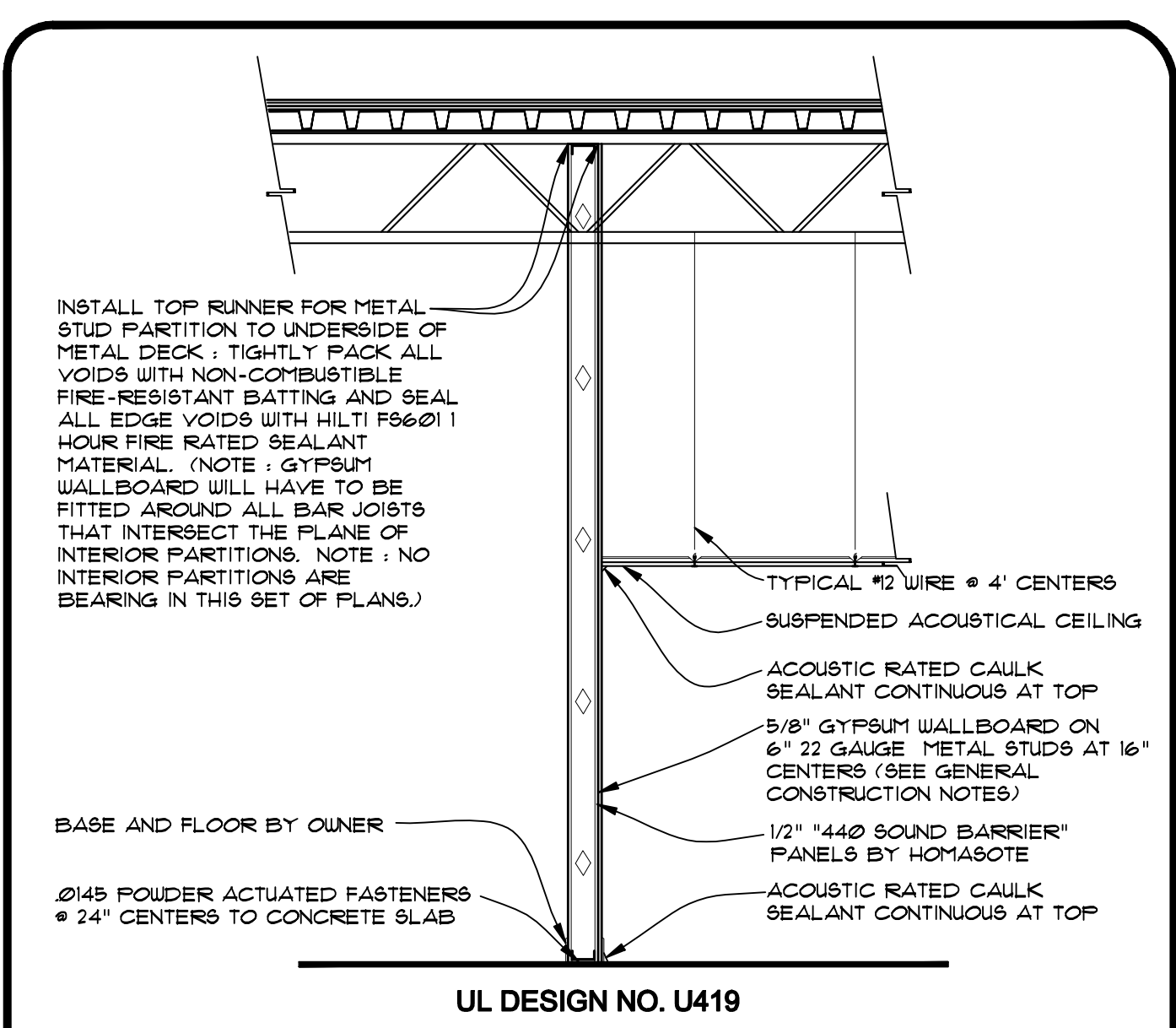
MARK	NOMINAL SIZE	TYPE	MATERIAL	FRAME	FINISH	PROPRIETARY SPECIFICATION	PROPRIETARY APPROVAL	ZONE	NET DESIGN WIND PRESSURE	REMARKS
D1	(2) 3'-0" X 7'-0"	1	ALUMINUM AND GLASS	INTEGRAL	FACTORY	ASSA ABLOY INC. SERIES "RESILIENCE"	14-0529.11	5	+41.8 P5F -54.6 P5F	NEW AUTOMATIC DOORS WITH ADA COMPLIANT HARDWARE AND PRIVACY LOCKSET
D2	3'-0" X 7'-0"	4	METAL	METAL	FACTORY	MESKER DOOR INC SERIES "N"	10-1202.10	4	+41.8 P5F -45.5 P5F	NEW INSULATED HOLLOW METAL EGRESS DOOR WITH PANIC BARS
D3	3'-0" X 7'-0"	4	METAL	METAL	FACTORY	MESKER DOOR INC SERIES "N"	10-1202.10	5	+41.8 P5F -54.6 P5F	NEW INSULATED HOLLOW METAL EGRESS DOOR WITH PANIC BARS
D4	8'-0" X 10'-0"	3	METAL	METAL	FACTORY	OVERHEAD DOOR CORP. SERIES "D-408116"	14-0825.09	5	+41.8 P5F -54.6 P5F	NEW OVERHEAD DOOR
D5	10'-0" X 10'-0"	3	METAL	METAL	FACTORY	OVERHEAD DOOR CORP. SERIES "D-408116"	14-0825.09	5	+41.8 P5F -54.6 P5F	NEW OVERHEAD DOOR
D6	3'-0" X 7'-0"	4	METAL	METAL	FACTORY	MESKER DOOR INC SERIES "N"	10-1202.10	5	+41.8 P5F -54.6 P5F	NEW INSULATED HOLLOW METAL EGRESS DOOR WITH PANIC BARS
D7	(2) 3'-0" X 7'-0"	1	ALUMINUM AND GLASS	INTEGRAL	FACTORY	ASSA ABLOY INC. SERIES "RESILIENCE"	14-0529.11	4	+41.8 P5F -45.5 P5F	NEW AUTOMATIC DOORS WITH ADA COMPLIANT HARDWARE AND PRIVACY LOCKSET
D8	(2) 4'-0" X 7'-0"	5	WOOD	WOOD	PAINT	ELIASON CFR-9000 CORROSION RESISTANT FIRE DOOR	--	--	--	NEW 45 MINUTE FIRE RATED DOOR WITH ADA COMPLIANT HARDWARE AND PRIVACY LOCKSET
D9	(2) 4'-0" X 7'-0"	5	WOOD	WOOD	PAINT	ELIASON CFR-9000 CORROSION RESISTANT FIRE DOOR	--	--	--	NEW 45 MINUTE FIRE RATED DOOR WITH ADA COMPLIANT HARDWARE AND PRIVACY LOCKSET
D10	3'-0" X 7'-0"	2	WOOD	WOOD	PAINT	JELD-WEN CAMBRIDGE SMOOTH SOLID CORE INTERIOR DOOR	--	--	--	NEW INTERIOR DOOR/PRIVACY LOCK AND ADA HARDWARE
D11	3'-0" X 7'-0"	2	WOOD	WOOD	PAINT	JELD-WEN CAMBRIDGE SMOOTH SOLID CORE INTERIOR DOOR	--	--	--	NEW INTERIOR DOOR/PRIVACY LOCK AND ADA HARDWARE
D12	3'-0" X 7'-0"	2	WOOD	WOOD	PAINT	ELIASON CFR-9000 CORROSION RESISTANT FIRE DOOR	--	--	--	NEW 45 MINUTE FIRE RATED DOOR WITH PRIVACY LOCKSET
D13	3'-0" X 7'-0"	2	WOOD	WOOD	PAINT	JELD-WEN CAMBRIDGE SMOOTH SOLID CORE INTERIOR DOOR	--	--	--	NEW INTERIOR DOOR/PRIVACY LOCK AND ADA HARDWARE
D14	3'-0" X 7'-0"	2	WOOD	WOOD	PAINT	JELD-WEN CAMBRIDGE SMOOTH SOLID CORE INTERIOR DOOR	--	--	--	NEW INTERIOR DOOR/PRIVACY LOCK AND ADA HARDWARE
D15	3'-0" X 7'-0"	2	WOOD	WOOD	PAINT	JELD-WEN CAMBRIDGE SMOOTH SOLID CORE INTERIOR DOOR	--	--	--	NEW INTERIOR DOOR/PRIVACY LOCK AND ADA HARDWARE
D16	3'-0" X 7'-0"	2	WOOD	WOOD	PAINT	--	--	--	--	NEW DRESSING ROOM DOOR WITH PRIVACY LOCK AND ADA HARDWARE
D17	3'-0" X 7'-0"	2	WOOD	WOOD	PAINT	--	--	--	--	NEW DRESSING ROOM DOOR WITH PRIVACY LOCK AND ADA HARDWARE
D18	3'-0" X 7'-0"	2	WOOD	WOOD	PAINT	--	--	--	--	NEW DRESSING ROOM DOOR WITH PRIVACY LOCK AND ADA HARDWARE
D19	3'-0" X 7'-0"	2	WOOD	WOOD	PAINT	--	--	--	--	NEW DRESSING ROOM DOOR WITH PRIVACY LOCK AND ADA HARDWARE



TYPICAL INTERIOR PARTITION 6
SCALE: NOT TO SCALE



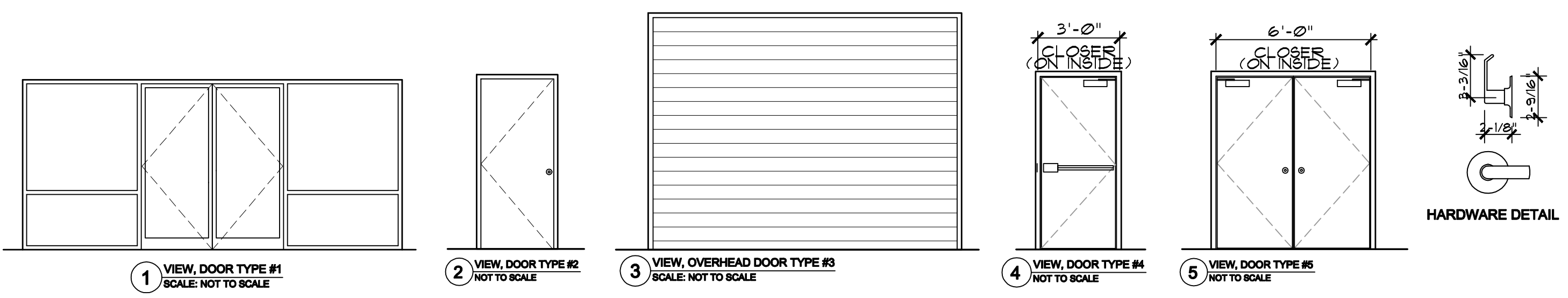
TYPICAL INTERIOR PARTITION 5
SCALE: NOT TO SCALE



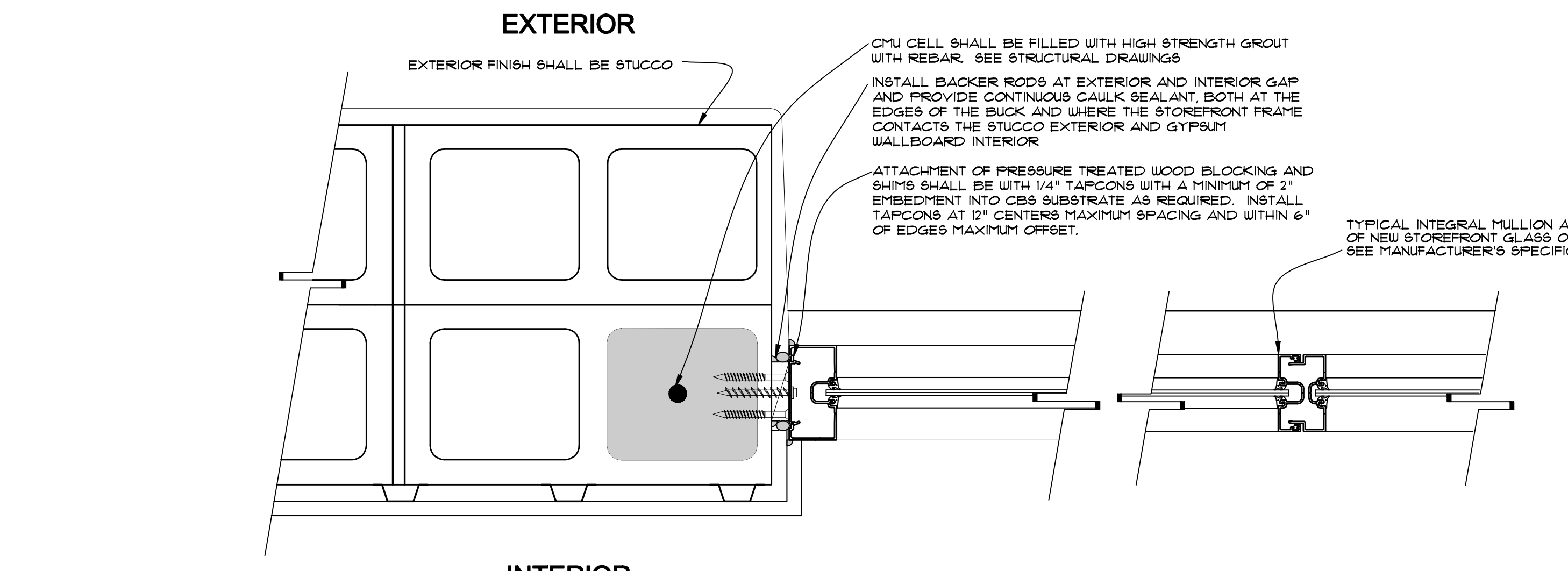
1 HOUR FIRE RATED PARTITION 2
SCALE: 1/2" = 1'-0"

PRESCRIPTIVES FOR UL DESIGN NO. U419

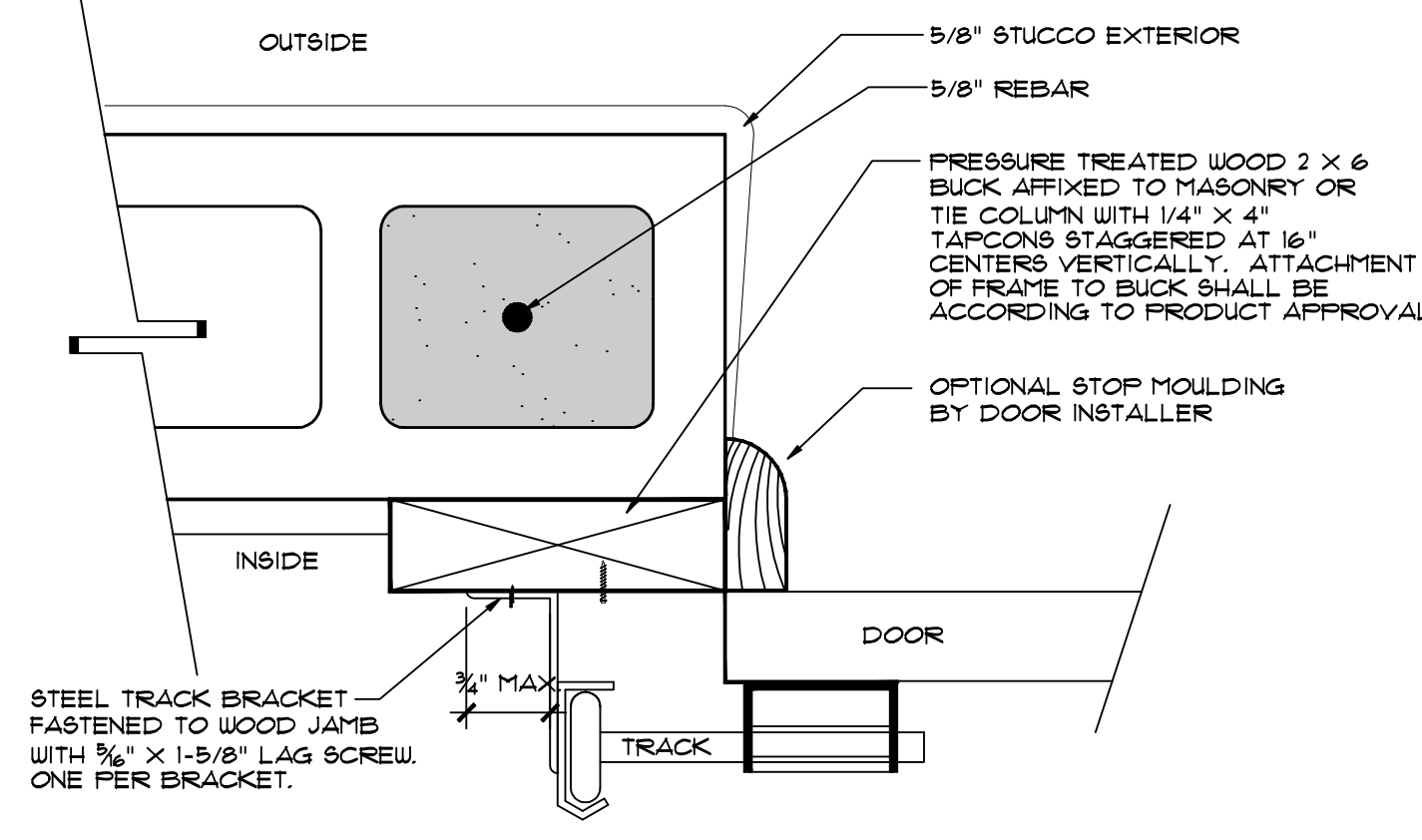
- FLOOR AND CEILING RUNNERS** -- CHANNEL SHAPED, FABRICATED FROM MINIMUM 22 M5G CORROSION-PROTECTED STEEL, MINIMUM DEPTH TO ACCOMMODATE STUD SIZE, WITH MINIMUM 1-1/4 INCH LONG LEGS, ATTACHED TO FLOOR AND CEILING WITH FASTENERS 16 INCH ON CENTER MAXIMUM.
- STEEL STUDS** -- CHANNEL SHAPED, FABRICATED FROM MINIMUM 22 M5G CORROSION-PROTECTED STEEL, SPACED A MAXIMUM OF 16 INCHES ON CENTER. STUDS TO BE CUT 3/8 TO 3/4 INCH LESS THAN ASSEMBLY HEIGHT.
- BATTIS AND BLANKETS** -- (OPTIONAL NOT USED)
- GYPSTUM BOARD** -- GYPSTUM PANELS WITH BEVELED, SQUARE OR TAPERED EDGES, APPLIED VERTICALLY OR HORIZONTALLY. VERTICAL JOINTS CENTERED OVER STUDS AND STAGGERED ONE STUD CAVITY ON OPPOSITE SIDES OF STUDS. VERTICAL JOINTS IN ADJACENT LAYERS (MULTILAYER SYSTEMS) STAGGERED ONE STUD CAVITY. HORIZONTAL JOINTS NEED NOT BE BACKED BY STEEL FRAMING. HORIZONTAL EDGE JOINTS AND HORIZONTAL BUTT JOINTS ON OPPOSITE SIDES OF STUDS NEED NOT BE STAGGERED. HORIZONTAL EDGE JOINTS AND HORIZONTAL BUTT JOINTS IN ADJACENT LAYERS (MULTILAYER SYSTEMS) STAGGERED A MINIMUM OF 12 INCHES.
- FASTENERS** -- TYPE 8 OR 8-1/2 STEEL SCREWS USED TO ATTACH PANELS TO STUDS OR FURRING CHANNELS. SINGLE LAYER SYSTEMS: 1 INCH LONG FOR 1/2 AND 5/8 INCH THICK PANELS OR 1-1/4 INCH LONG FOR 3/4 INCH THICK PANELS, SPACED 8 INCHES ON CENTER WHEN PANELS ARE APPLIED HORIZONTALLY, OR 8 INCHES ON CENTER ALONG VERTICAL AND BOTTOM EDGES AND 12 INCHES ON CENTER IN THE FIELD WHEN PANELS ARE APPLIED VERTICALLY. TWO LAYER SYSTEMS: FIRST LAYER: 1 INCH LONG FOR 1/2 AND 5/8 INCH THICK PANELS OR 1-1/4 INCH LONG FOR 3/4 INCH THICK PANELS, SPACED 16 INCHES ON CENTER. SECOND LAYER: 1-5/8 INCH LONG FOR 1/2 INCH, 5/8 INCH THICK PANELS OR 2-1/4 INCH LONG FOR 3/4 INCH THICK PANELS, SPACED 16 INCHES ON CENTER WITH SCREWS OFFSET 8 INCHES FROM FIRST LAYER. THREE LAYER SYSTEMS: FIRST LAYER: 1 INCH LONG FOR 1/2 INCH, 5/8 INCH THICK PANELS, SPACED 24 INCHES ON CENTER. SECOND LAYER: 1-5/8 INCH LONG FOR 1/2 INCH, 5/8 INCH THICK PANELS, SPACED 24 INCHES ON CENTER. THIRD LAYER: 2-1/4 INCH LONG FOR 1/2 INCH, 5/8 INCH THICK PANELS OR 2-5/8 INCH LONG FOR 3/4 INCH THICK PANELS, SPACED 12 INCHES ON CENTER. SCREWS OFFSET MINIMUM 6 INCHES FROM LAYER BELOW. FOUR LAYER SYSTEMS: FIRST LAYER: 1 INCH LONG FOR 1/2 INCH, 5/8 INCH THICK PANELS, SPACED 24 INCHES ON CENTER. SECOND LAYER: 1-5/8 INCH LONG FOR 1/2 INCH, 5/8 INCH THICK PANELS, SPACED 24 INCHES ON CENTER. THIRD LAYER: 2-1/4 INCH LONG FOR 1/2 INCH, 5/8 INCH THICK PANELS OR 2-5/8 INCH LONG FOR 3/4 INCH THICK PANELS, SPACED 24 INCHES ON CENTER. FOURTH LAYER: 2-5/8 INCH LONG FOR 1/2 INCH THICK PANELS OR 3 INCHES LONG FOR 3/4 INCH THICK PANELS, SPACED 12 INCHES ON CENTER. SCREWS OFFSET MINIMUM 6 INCHES FROM LAYER BELOW.
- FURRING CHANNELS** -- (OPTIONAL FOR SINGLE OR DOUBLE LAYER SYSTEMS) -- RESILIENT FURRING CHANNELS FABRICATED FROM MINIMUM 22 M5G CORROSION-PROTECTED STEEL, SPACED VERTICALLY A MAXIMUM OF 16 INCHES ON CENTER. FLANGE PORTION ATTACHED TO EACH INTERSECTING STUD WITH 1/2 INCH LONG TYPE 8-1/2 STEEL SCREWS.
- JOINT TAPE AND COMPOUND** -- VINYL OR CASEIN, DRY OR PREMIXED JOINT COMPOUND APPLIED IN TWO COATS TO JOINTS AND SCREW HEADS OF OUTER LAYERS. PAPER TAPE, NOMINAL 2 INCHES WIDE, EMBEDDED IN FIRST LAYER OF COMPOUND OVER ALL JOINTS OF OUTER LAYER PANELS. PAPER TAPE AND JOINT COMPOUND MAY BE OMITTED WHEN GYPSTUM PANELS ARE SUPPLIED WITH A SQUARE EDGE.
- SIDING, BRICK OR STUCCO** -- (OPTIONAL) -- ALUMINUM, VINYL OR STEEL SIDING, BRICK VENEER OR STUCCO, MEETING THE REQUIREMENTS OF LOCAL CODE AGENCIES, INSTALLED OVER GYPSTUM PANELS. BRICK VENEER ATTACHED TO STUDS WITH CORRUGATED METAL WALL TIES ATTACHED TO EACH STUD WITH STEEL SCREWS, NOT MORE THAN EACH SIXTH COURSE OF BRICK.
- CAULKING AND SEALANTS** -- (OPTIONAL) -- A BEAD OF ACOUSTICAL SEALANT APPLIED AROUND THE PARTITION PERIMETER FOR SOUND CONTROL.



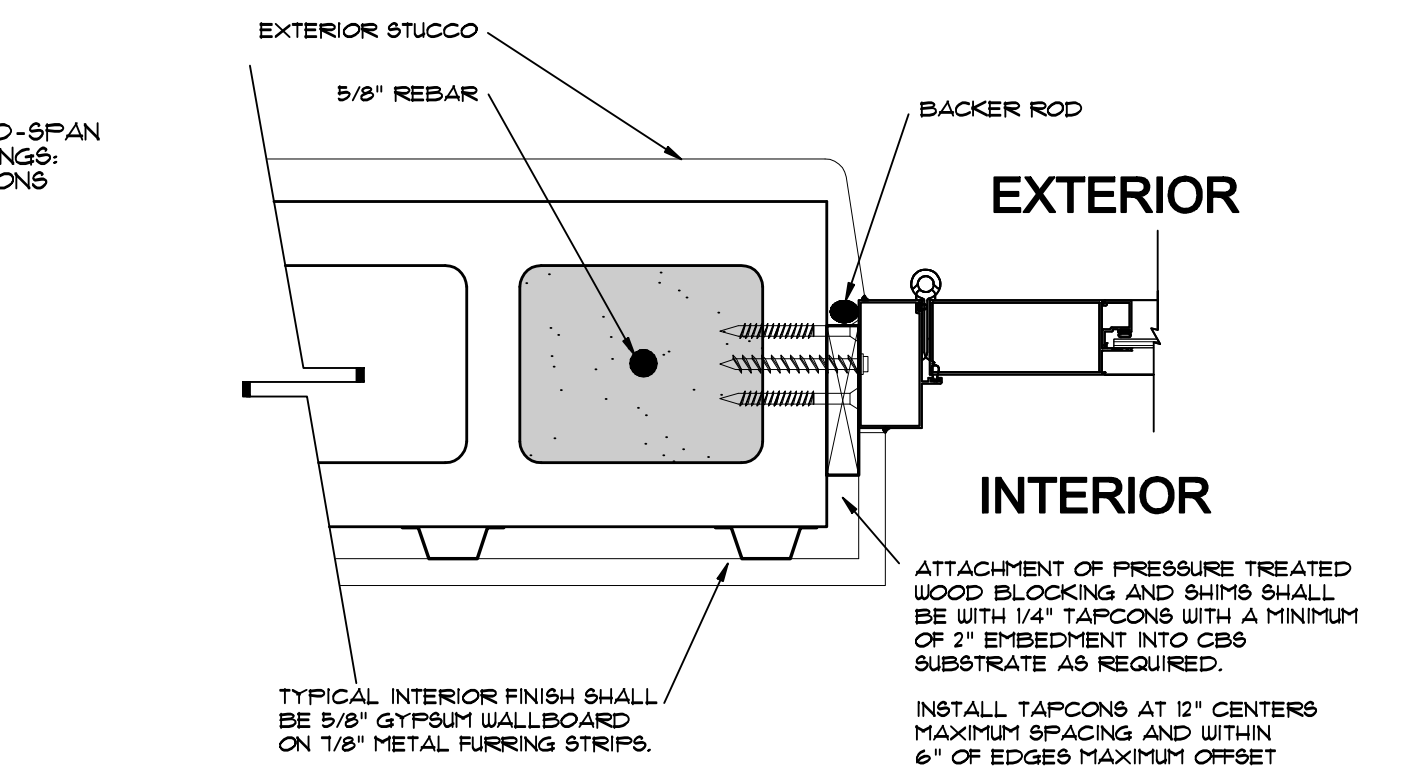
1 VIEW, DOOR TYPE #1 SCALE: NOT TO SCALE
2 VIEW, DOOR TYPE #2 NOT TO SCALE
3 VIEW, OVERHEAD DOOR TYPE #3 SCALE: NOT TO SCALE
4 VIEW, DOOR TYPE #4 NOT TO SCALE
5 VIEW, DOOR TYPE #5 NOT TO SCALE



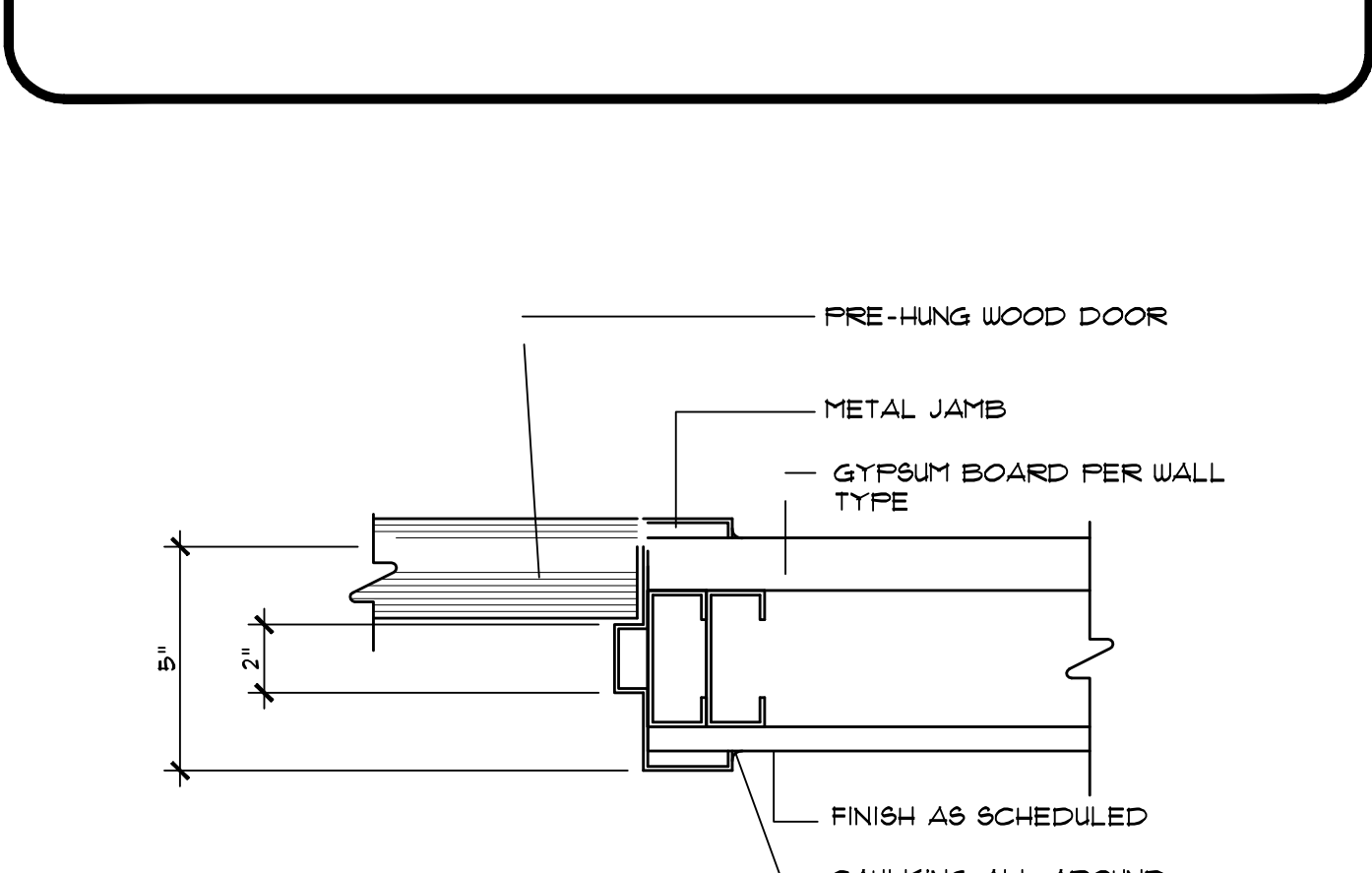
STOREFRONT JAMB DETAIL 7
SCALE: NOT TO SCALE



TYPICAL GARAGE BUCK DETAILS 4
SCALE: NOT TO SCALE



DOOR BUCK DETAIL 3
SCALE: NOT TO SCALE



INTERIOR DOOR DETAIL 1
SCALE: NOT TO SCALE

Revisions:
1
2
3
4
5

Project Number
160412

1066 U.S. HIGHWAY 1
NEW RETAIL BUILDING - GOODWILL
1066 U.S. HIGHWAY 1
VERO BEACH, FLORIDA

Project Name
NEW RETAIL BUILDING

STEPHEN BRASGALLA, ARCHITECT
STATE OF FLORIDA
REGISTRATION NO. AR12239
6901 WEST BROWARD BOULEVARD
SUITE 100
PLANTATION, FLORIDA 33317
TELEPHONE 954.614.3801
TELEFAX 954.208.0800
ARCHITECT © DESIGN23, INC.

AS ISSUED FOR PERMIT 7-29-16 (NOT FOR CONSTRUCTION)

Drawn By: RSS
Checked By: STB
Scale: SHOWN
Date: 7-29-16

Project Number
160412

Sheet:
A-4