

DeMELLO ARCHITECTURE
 MEMBER: AMERICAN INSTITUTE OF ARCHITECTS AIA 26001907 No. 15299
 911 Southwest 18 Street, Boca Raton, Florida 33486
 954 671 0203 Fax 954 418 0022

All ideas and designs indicated or represented by this drawing are the property of DeMello Architecture and were created and developed for use in connection with the specific project. None of such ideas and designs shall be used by or disclosed to any person or corporation for any purpose whatsoever without written permission of this office.

SECOND FLOOR ADDITION FOR
DIXIE DIVERS
 455 U.S. HIGHWAY #1
 DEERFIELD BEACH, FL.
 drawing name: SECOND FLOOR REFLECTED CEILING PLAN

designed	H. DeMello
drawn	H. DeMello
date	AUG. 21, 2015
scale	AS SHOWN
project #	15136
sheet	

SYMBOL	LABEL	TYPE OF FIXTURE	FINISH	LENS TYPE	VOLT	LAMP	MANUFACTURER & MODEL NO.	MOUNTING/COMMENT
□	A	4' 2L Parallelnear Fluorescent - 4' Cable	WHITE	LOUVER	-	(2) F32T8/35K	LSI # 482-ACK4-232-16-550-CAN	CABLE
○	B	Wall Mounted Incand. Fixt.			-		(as approved by owner)	
○	C	Wall Mounted Exterior Incand. Fixt.			-		(as approved by owner)	
⬇	EM	EMERGENCY LIGHT WITH BATTERY BACKUP	WHITE	RED LETTERS	-	L.E.D.	LSI # EMEX 1/2 R W I20/2T1	
⬇	EXIT	EXIT LIGHT WITH BATTERY BACKUP	WHITE			L.E.D.	LSI # EM	

NOTE: OPEN CEILING TO STRUCTURE ABOVE.
 SEE E2 FOR SWITCHES LOCATION.

ADA TOILET ROOM SIGN

COMPANY: DESK 4 DOOR NAMEPLATE COMPANY
 2045 21st AVENUE NORTH
 ST. PETERSBURG, FL. 33713-4203
 PH. (813) 327-1412
 PRODUCT No. 5AI - 66 - AGH

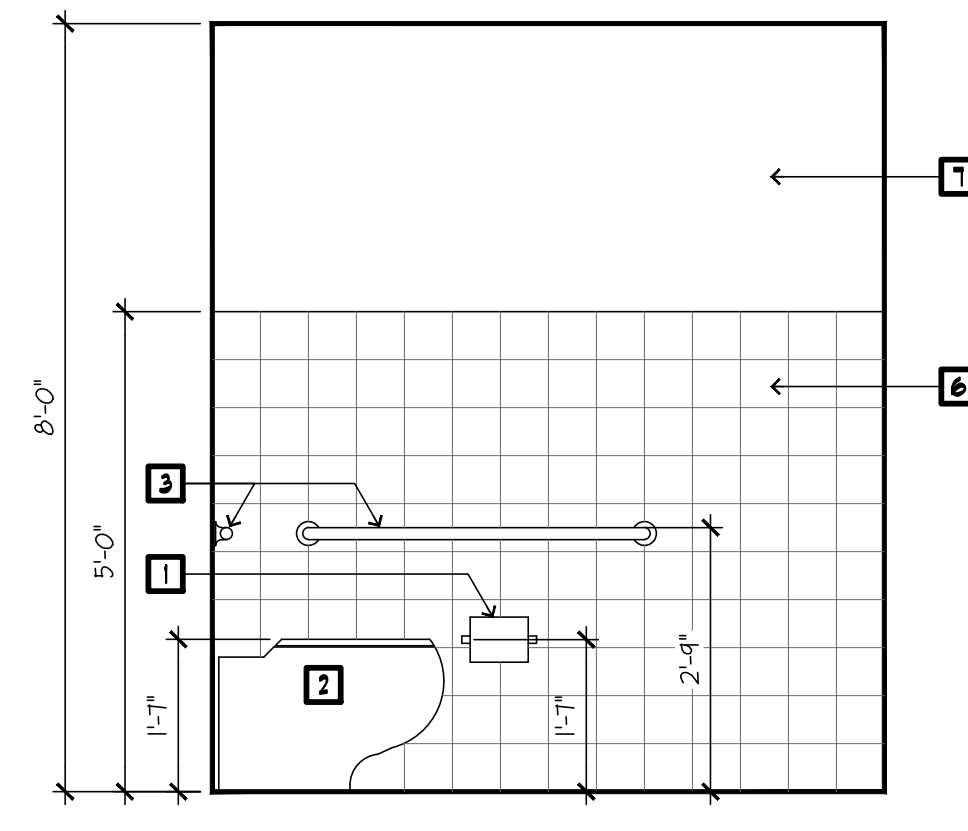
DESCRIPTION: DESK 7 DOOR NAMEPLATE COMPANY RELIEF (TR) SYSTEM

PLASTIC BROWN PLAQUE W/ WHITE 1/32" RAISED LETTERS AND GRAPHICS

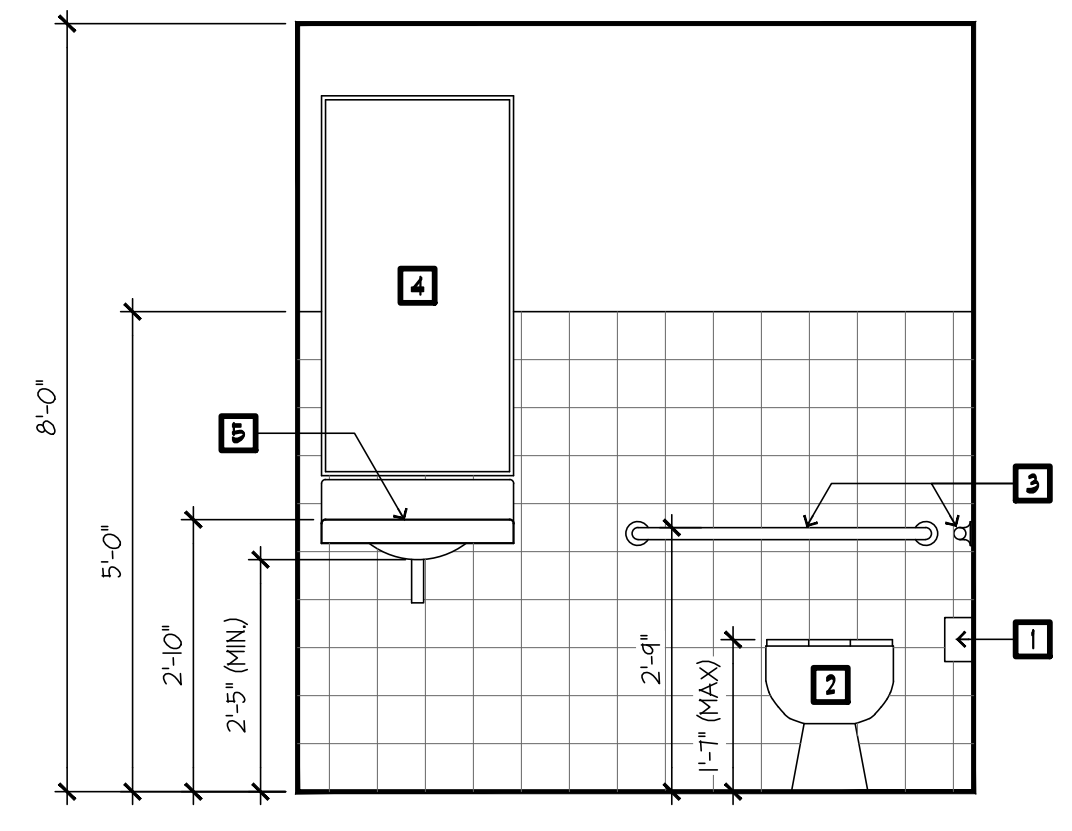
1/32" GRADE II BRAILLE

TLT. ELEV. LEGEND

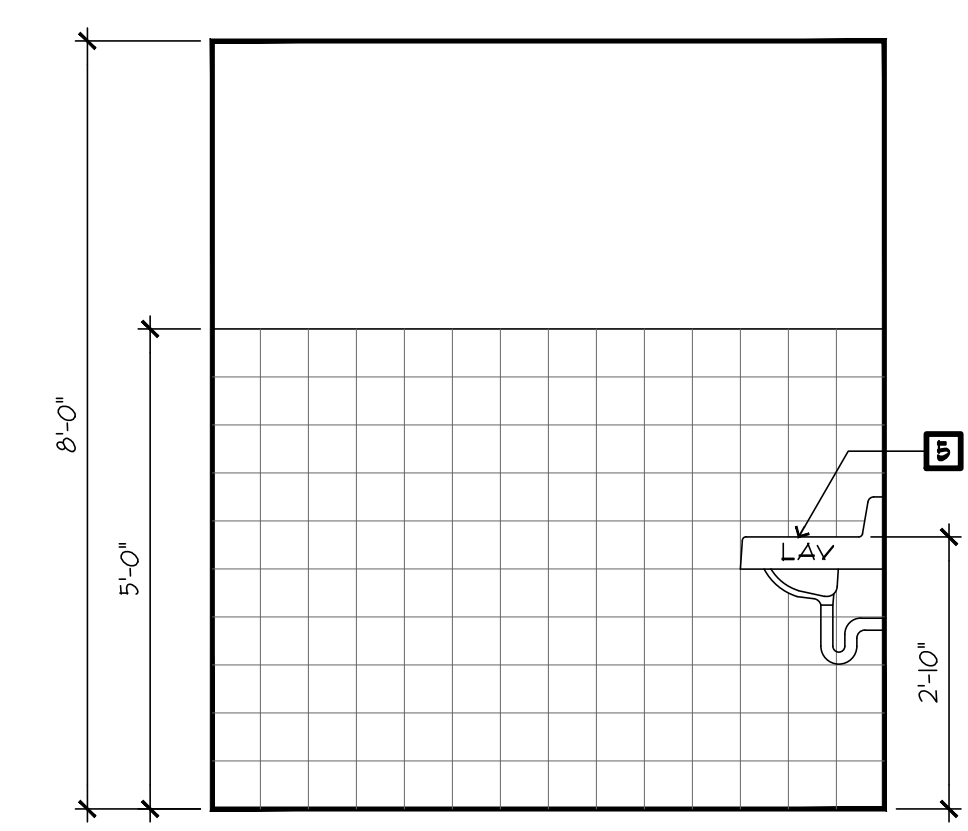
- TOILET PAPER DISPENSER (CENTER LINE AT 14" AFF.)
- FLOOR MOUNTED HANDICAPPED WATER CLOSET W/ WATER SAVER FEATURE MOUNTED EXACTLY 10" FROM CENTERLINE OF FIXTURE TO FACE OF NEAREST ADJACENT WALL OR PARTITION. (REF. PLUMBING DRAWINGS)
- 1-1/2" DIA. x DIM. LENGTH GRAB BAR TO SUPPORT 300 lbs. W/ SATIN S.S. FINISH MOUNTED AT 24" A.F.F.
- 24" WIDE x 32" HIGH x 1/4" FL. GLASS MIRROR W/ METAL EDGING.
- HANDICAP LAVATORY
- CERAMIC TILE WAINSCOT W/ CERAMIC TILE COVE BASE.
- PAINTED GYPSUM WALLBOARD.



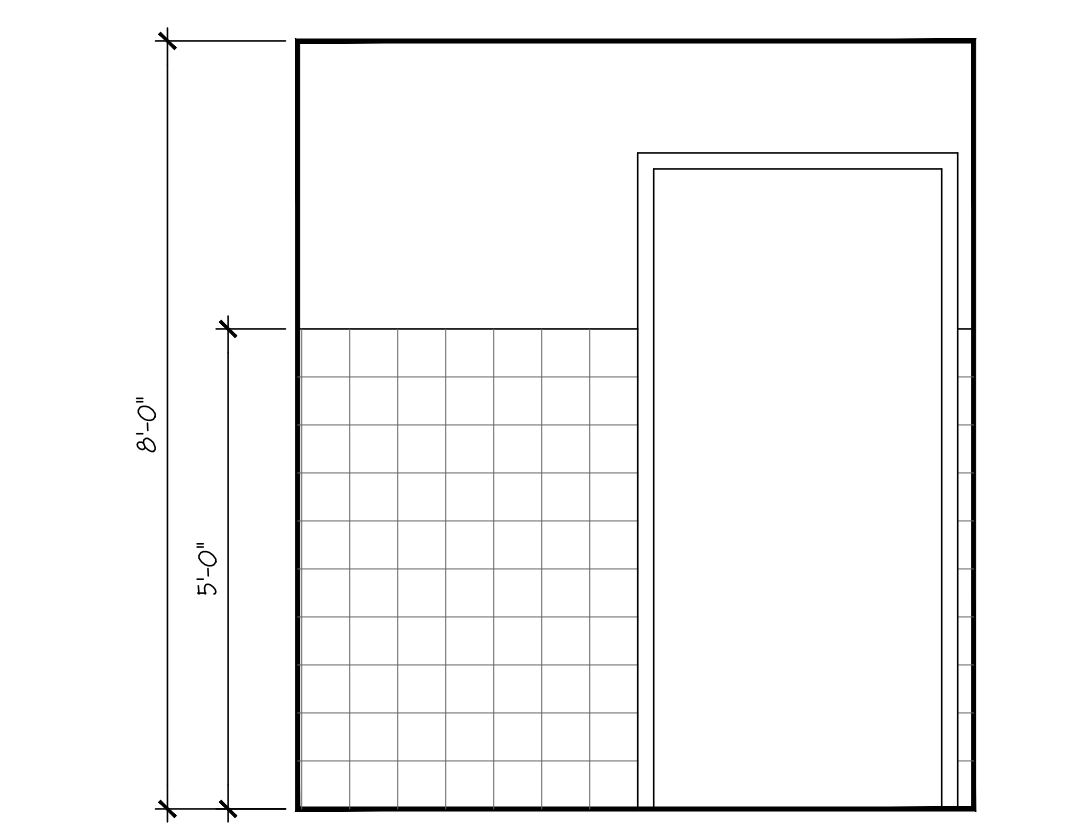
A4.06 ELEVATION
 SCALE: 1/2" = 1'-0"



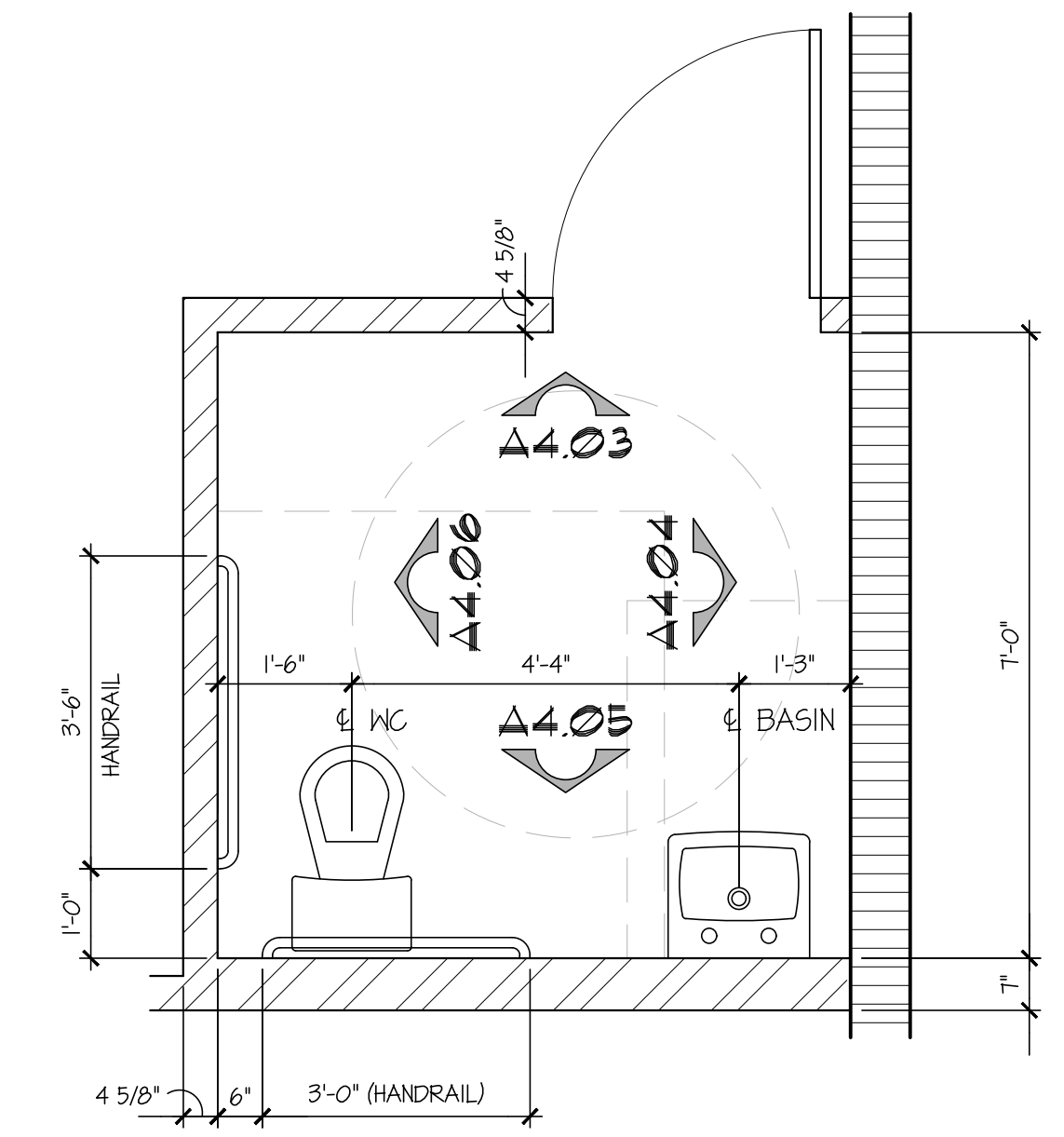
A4.05 ELEVATION
 SCALE: 1/2" = 1'-0"



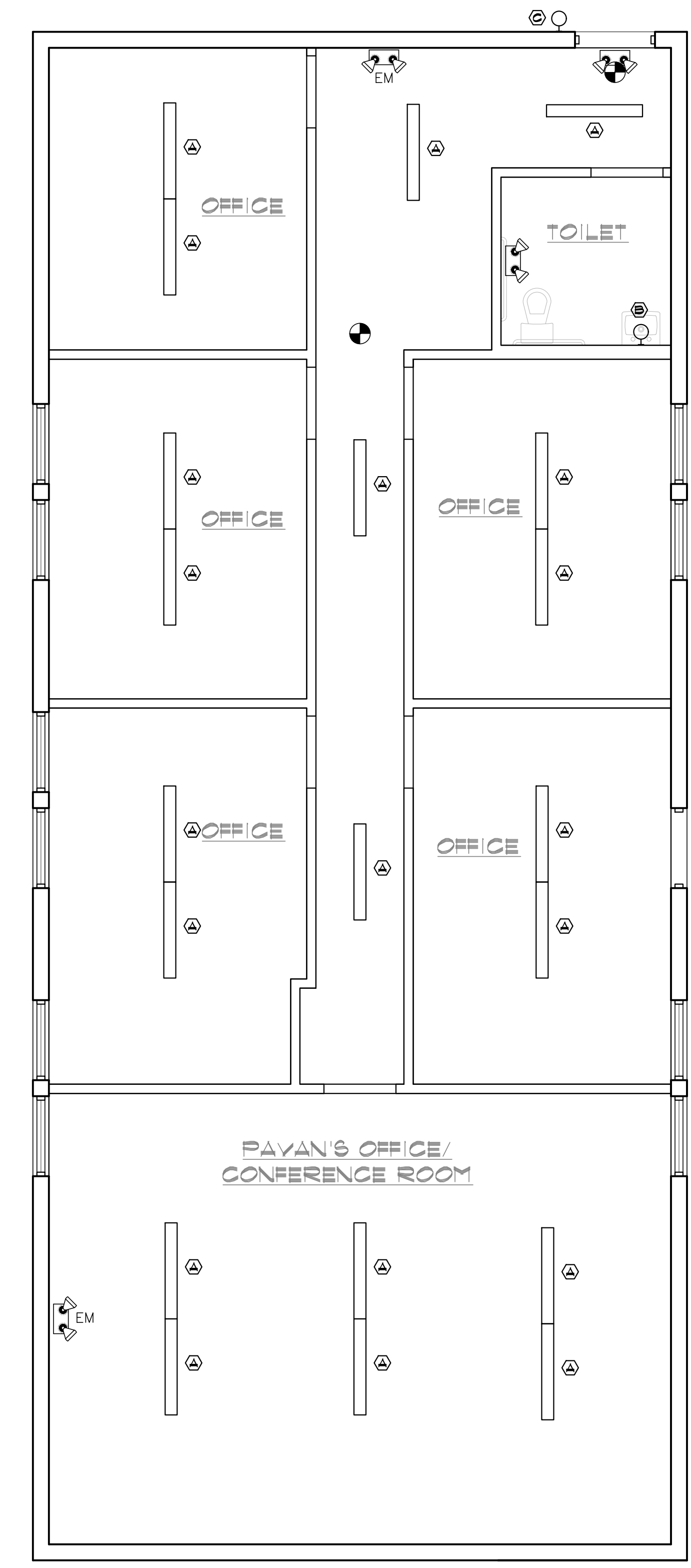
A4.4 ELEVATION
 SCALE: 1/2" = 1'-0"



A4.03 ELEVATION
 SCALE: 1/2" = 1'-0"



A4.02 TOILETROOM PLAN
 SCALE: 1/2" = 1'-0"



A4.01 SECOND FLOOR LIGHTING PLAN
 SCALE: 1/4" = 1'-0"