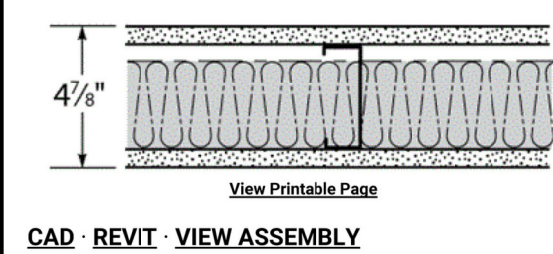


- P1** TYPICAL INTERIOR PARTITION UNLESS OTHERWISE NOTED ON PLAN
- P2** SIMILAR TO P1 EXCEPT 8" METAL STUDS IN LIEU OF 3 5/8"
- P3** (SMOKE PARTITION) SMOKE PARTITION @ STERILE SUPPLIES
- P4** (SMOKE PARTITION) SMOKE PARTITION @ BIOWASTE
- P5** (SMOKE PARTITION) SMOKE PARTITION @ FUTURE OFFICE SPACE. SIMILAR TO P3 EXCEPT PROVIDE INSULATION
- P6** (SMOKE PARTITION) SMOKE PARTITION @ FUTURE OFFICE SPACE. SIMILAR TO P3 EXCEPT PROVIDE INSULATION
- P7** PARTITION UNDER COUNTERS @ RECEPTION
- P8** TYPICAL EXTERIOR PARTITION UNLESS OTHERWISE NOTED ON PLAN
- P9** (1-HR FIRE RATED WALL ASSEMBLY) 1-HOUR FIRE RATED ASSEMBLY - UL# U465 @ JANITOR, RE: 18A4.1
- P10** (1-HR FIRE RATED WALL ASSEMBLY) 1-HOUR FIRE RATED ASSEMBLY - UL# U465 @ JANITOR, RE: 18A4.1
- P11** SIMILAR TO P10 EXCEPT 8" METAL STUDS IN LIEU OF 3 5/8"

ALL FIRERATED WALLS AND SMOKE BARRIERS SHALL BE PERMANENTLY IDENTIFIED WITH SIGNS OR STENCILING

12 PARTITION TYPES

SCALE: 1/2"=1'-0"



File Test	Fire Rating	STC	Thickness (in.)
UL U465 or GA-WP-1081	1 hr.	49	4-7/8"

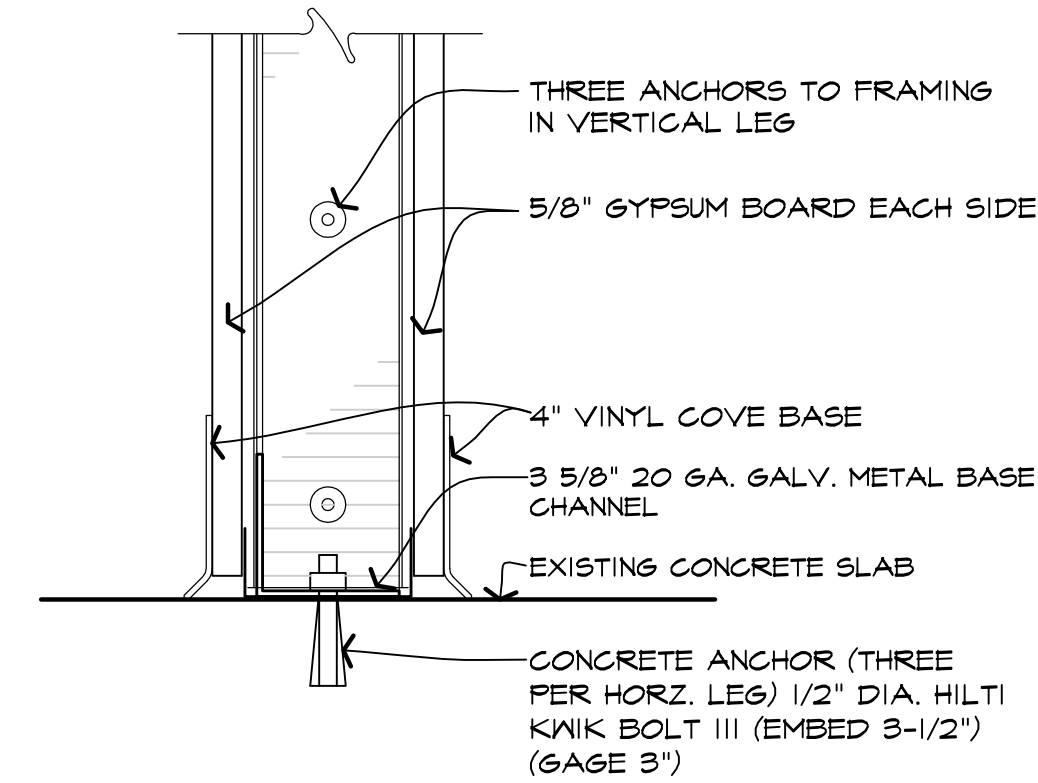
Steel Stud (Non-loadbearing) Interior Partitions
 Scud Test USG-960709

- Gypsum Board - 5/8 in. thick gypsum board applied vertically or horizontally - SHEETROCK® UltraLight Firecode X Gypsum Panels
- Steel Studs - 3-5/8 in. wide min. 25 gauge steel studs @ max 24 in. OC - 362S125-18
- Batts and Blankets - 3 in. mineral wool batt insulation
- Gypsum Board - 5/8 in. thick gypsum board applied vertically - SHEETROCK® UltraLight Firecode X Gypsum Panels
- Joint Tape and Compound - Vinyl, dry or premixed joint compound applied in two coats. Paper tape, 2 in. wide, embedded in first layer of compound over all joints.
- Veneer Plaster - Nom. 3/32 in. thick gypsum veneer plaster may be applied to the entire surface of classified veneer baseboard

Visit [U465](#)

18 U465 LISTING

SCALE: SCALE



19 BASE DETAIL

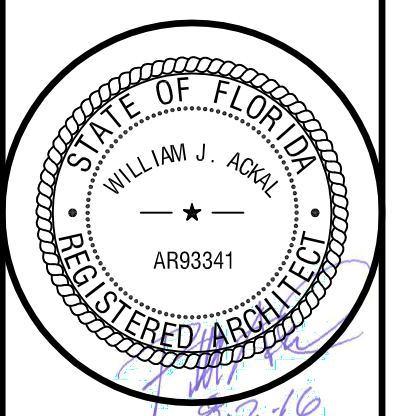
SCALE: 3/4"=1'-0"

GENERAL PARTITION TYPE NOTES:

- SEE ROOM FINISH SCHEDULE FOR FINISH CEILING, CEILING HEIGHTS AND WALL FINISHES.
- INSTALL 5/8" WATER RESISTANT (GREEN ROCK) GYPSUM BOARD ON ALL RESTROOM PLUMBING, FREEZER WALLS, AND ON THE INTERIOR OF ALL EXISTING EXTERIOR WALLS.
- PROVIDE 2X12 HEATED WOOD BLOCKING FOR ALL WALL MOUNTED RESTROOM ACCESSORIES.
- CEILING TILE AND CEILING INSULATION SHALL BE CLASS 'A' RATED WITH A FLAME SPREAD OF 0-25 AND A SMOKE DEVELOPMENT OF 0-450.
- ALL FIRE RATED ASSEMBLIES SHALL BE CONTINUOUS FROM EXTERIOR WALL TO EXTERIOR WALL AND FROM SLAB TO ROOF DECK. SEAL ALL JOINTS AND PENETRATION THROUGH ALL FIRE RATED ASSEMBLIES WITH AN APPROVED FIRE RATED SEALANT SYSTEMS.
- ALL/ANY WOOD BLOCKING USED IN THIS PROJECT SHALL BE TREATED WOOD.
- ALL GYPSUM BOARD TO BE TYPE X

ACKAL A PROFESSIONAL CORPORATION
 ARCHITECTS
 105 CHAPEL DRIVE - LAFAYETTE, LOUISIANA 70506
 337-988-5271 ph. • 337-988-5272 fax
 www.ackalarchitects.com

INTERIOR TENANT IMPROVEMENT FOR:
IMMUNOTEK BIO CENTERS, LLC
 4560 LAKE WORTH ROAD
 OFFICE DEPOT PLAZA, SUITE B-5
 LAKE WORTH, PALM BEACH COUNTY, FL 33463



COPYRIGHT © 2016 ACKAL ARCHITECTS, APC.
 THIS DOCUMENT IS THE PROPERTY OF ACKAL ARCHITECTS, APC. REPRODUCTION OR USE WITHOUT WRITTEN CONSENT FROM ACKAL ARCHITECTS, APC.

proj. no. 16-002
 date: 08-02-2016
 project architect: B.A.
 project manager: A.D.
 drawn by: A.D., J.L., C.T.
 file name: LAKEWORTH
 revised:
 plot scale: 1:1
 sheet name: PARTITION TYPES / DETAILS

sheet no.
A4.1
 8 of 42