



MEMBER:  
AMERICAN  
INSTITUTE OF  
ARCHITECTS  
AA26001907

**DeMELLO**  
**ARCHITECTURE**

911 Southwest 18 Street, Boca Raton, Florida 33486  
954 671 0203 Fax 954 418 0022

All ideas and designs indicated or represented by this drawing are the property of DeMello Architecture and were created and developed for use in connection with the specific project. None of such ideas and designs shall be used by or disclosed to any person or corporation for any purpose whatsoever without written permission of this office.

SECOND FLOOR ADDITION FOR  
**DIXIE DIVERS**  
455 U.S. HIGHWAY #1  
DEERFIELD BEACH, FL.

drawing name:  
SECOND FLOOR REFLECTED CEILING PLAN

revisions

designed H. DeMello  
drawn H. DeMello  
date AUG. 21, 2015  
scale AS SHOWN  
project # 15130  
sheet

### ROOM FINISH SCHEDULE

ROOM # / NAME	FLOOR		BASE	WAINSCOT	WALL	CEILING	REMARKS
	CARPET	FINISH	FINISH	FINISH	FINISH	FINISH	
101 OFFICE	•						
102 OFFICE	•						
103 OFFICE	•						
104 PAVAN OFFICE / CONFERENCE ROOM	•						
105 OFFICE	•						
106 OFFICE	•						
107 OFFICE	•						
108 TOILET ROOM	•						

NOTES: 1. ALL CARPET PROVIDED AND INSTALLED BY OWNER

### DOOR SCHEDULE

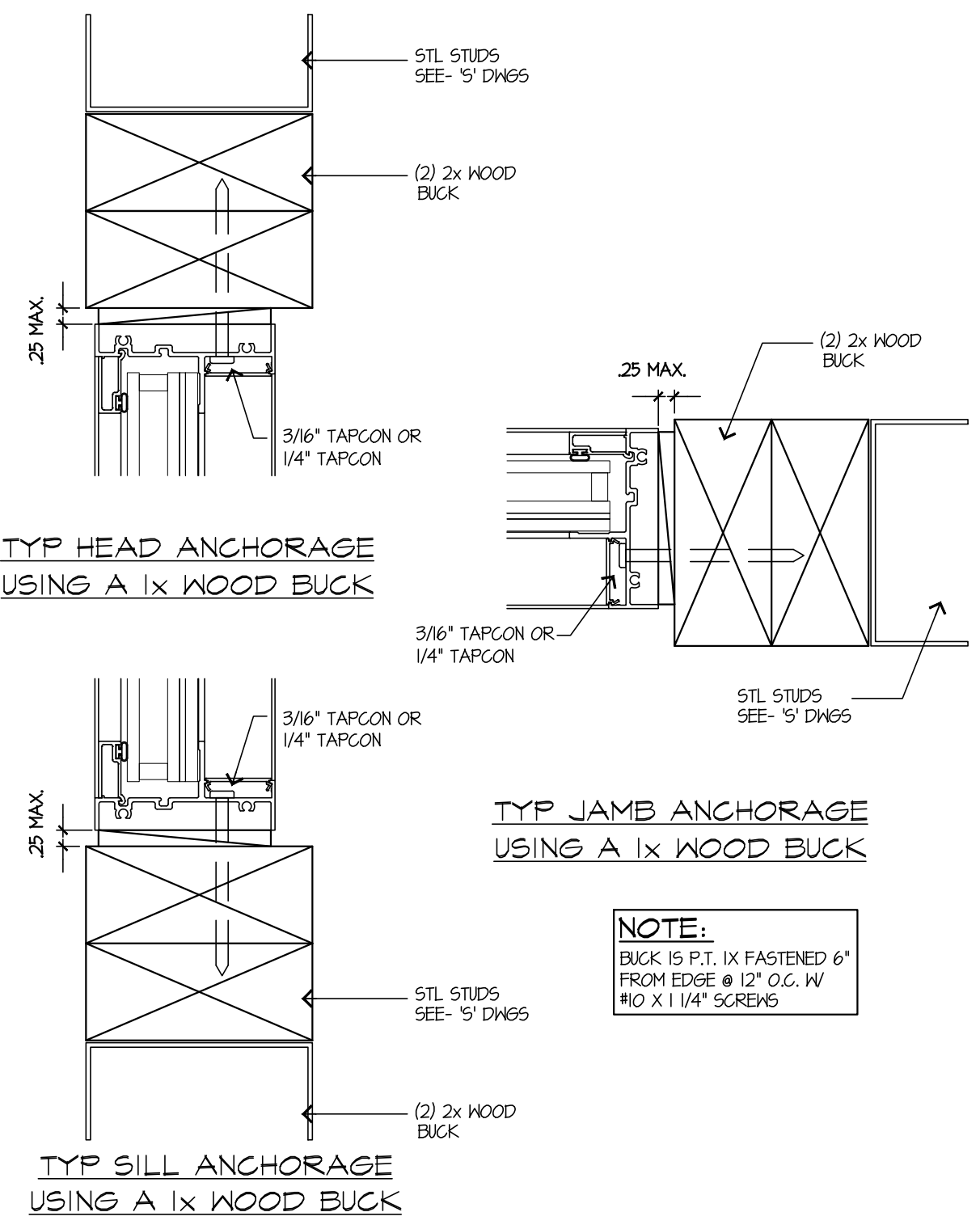
LOCATION	SIZE	MAT'L	TYPE	CORE	VENEER	FRAME	ACTION	NOA	PRESSURE	REMARKS
A ENTRY	3'-0" x 6'-0"	WOOD	SWING	WOOD	WOOD	WOOD	SWING			
B OFFICE	3'-0" x 6'-0"	WOOD	SWING	WOOD	WOOD	WOOD	SWING			
C OFFICE	3'-0" x 6'-0"	WOOD	SWING	WOOD	WOOD	WOOD	SWING			
D OFFICE	3'-0" x 6'-0"	WOOD	SWING	WOOD	WOOD	WOOD	SWING			
E OFFICE	3'-0" x 6'-0"	WOOD	SWING	WOOD	WOOD	WOOD	SWING			
F OFFICE	3'-0" x 6'-0"	WOOD	SWING	WOOD	WOOD	WOOD	SWING			
G OFFICE/CONF. ROOM	3'-0" x 6'-0"	WOOD	SWING	WOOD	WOOD	WOOD	SWING			
H TOILET ROOM	3'-0" x 6'-0"	WOOD	SWING	WOOD	WOOD	WOOD	SWING			
I ROOF ACCESS	3'-0" x 6'-0"	WOOD	SWING	WOOD	WOOD	WOOD	SWING			

NOTE:

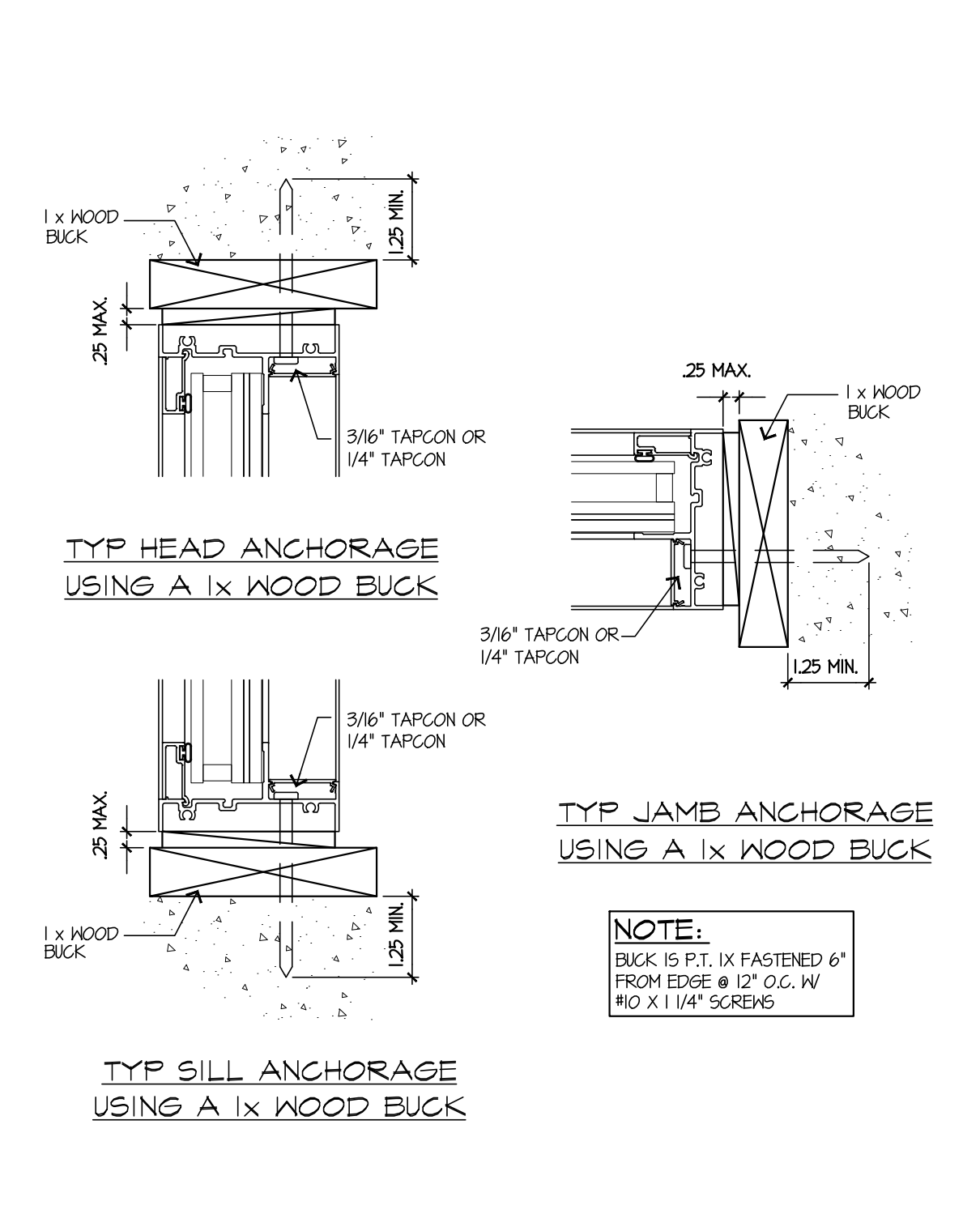
### WINDOW SCHEDULE

MK	MFR	TYPE	CAT. NO.	M.O.R.O.	GL. TYPE	PRESSURE	N.O.A.	REMARKS
W1	PFT OR EQUAL	FIX. GLASS	N/A	40" x 36"	3/8" GLASS PLATE	(0505 PSF - 1-24.8 PSF)		
W2	PFT OR EQUAL	FIX. GLASS	N/A	40" x 36"	3/8" GLASS PLATE	(0505 PSF - 1-24.8 PSF)		
W3	PFT OR EQUAL	FIX. GLASS	N/A	40" x 36"	3/8" GLASS PLATE	(0505 PSF - 1-24.8 PSF)		
W4	PFT OR EQUAL	FIX. GLASS	N/A	40" x 36"	3/8" GLASS PLATE	(0505 PSF - 1-24.8 PSF)		
W5	PFT OR EQUAL	FIX. GLASS	N/A	40" x 36"	3/8" GLASS PLATE	(0505 PSF - 1-24.8 PSF)		
W6	PFT OR EQUAL	FIX. GLASS	N/A	40" x 36"	3/8" GLASS PLATE	(0505 PSF - 1-24.8 PSF)		
W7	PFT OR EQUAL	FIX. GLASS	N/A	40" x 36"	3/8" GLASS PLATE	(0505 PSF - 1-24.8 PSF)		
W8	PFT OR EQUAL	FIX. GLASS	N/A	40" x 36"	3/8" GLASS PLATE	(0505 PSF - 1-24.8 PSF)		
W9	PFT OR EQUAL	FIX. GLASS	N/A	40" x 36"	3/8" GLASS PLATE	(0505 PSF - 1-24.8 PSF)		
W10	PFT OR EQUAL	FIX. GLASS	N/A	40" x 36"	3/8" GLASS PLATE	(0505 PSF - 1-24.8 PSF)		

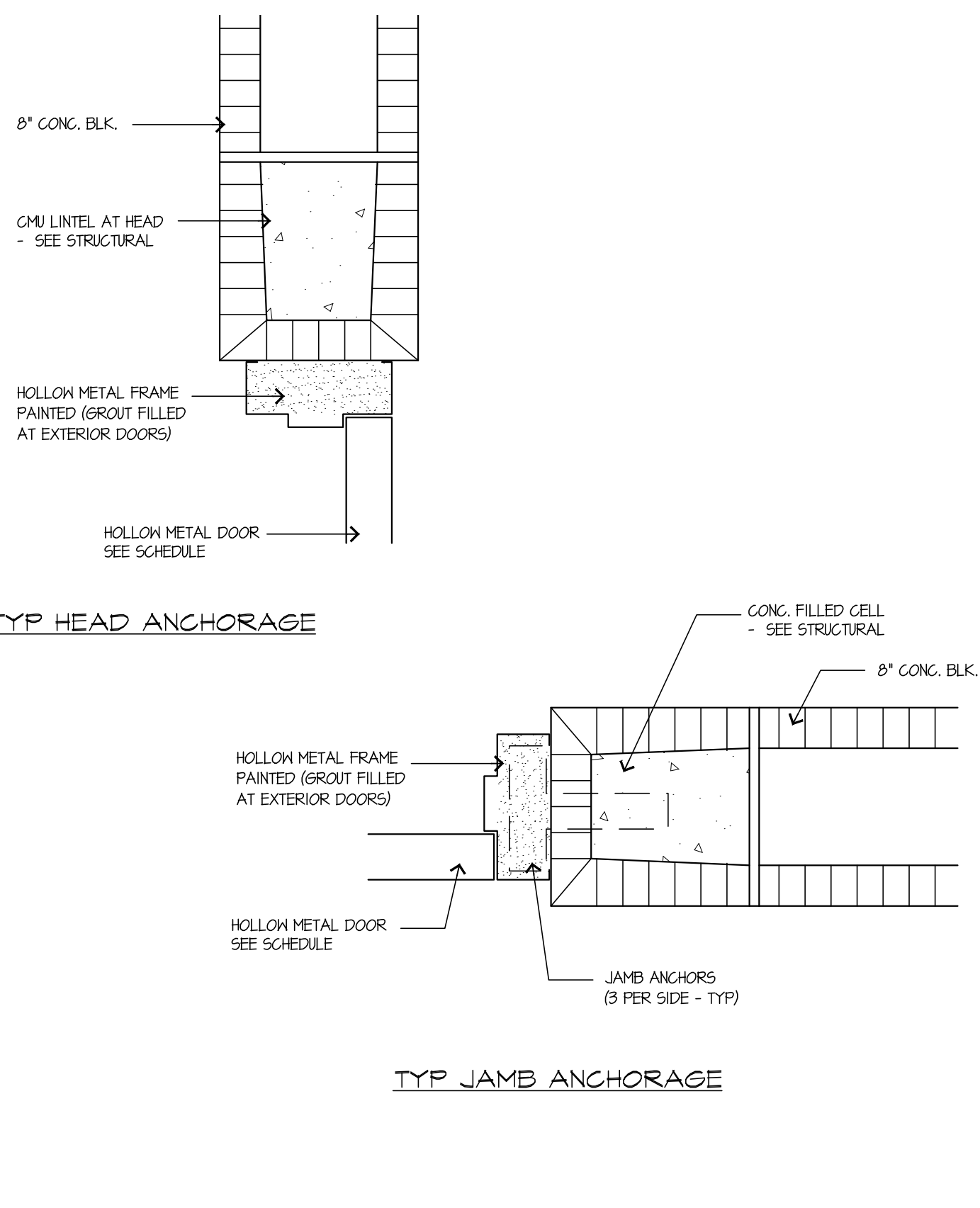
NOTE:



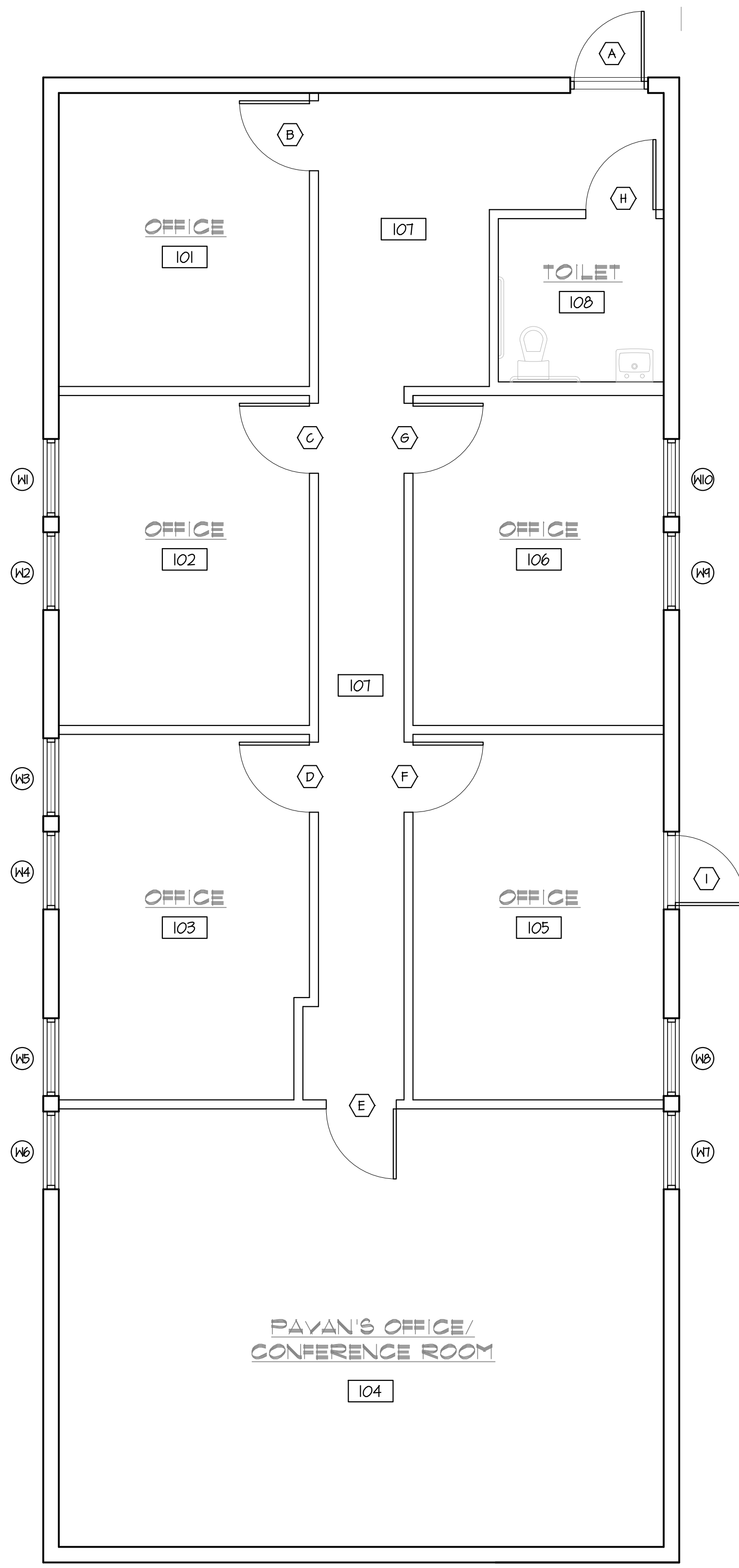
**A7.03 WINDOW BUCK DETAIL**  
FRAME WALL  
NTS



**A7.02 WINDOW BUCK DETAIL**  
MASONRY WALL  
NTS



**A7.04 DOOR BUCK DETAIL**  
NTS



**A7.01 KEY PLAN**  
SCALE: 1/4" = 1'-0"