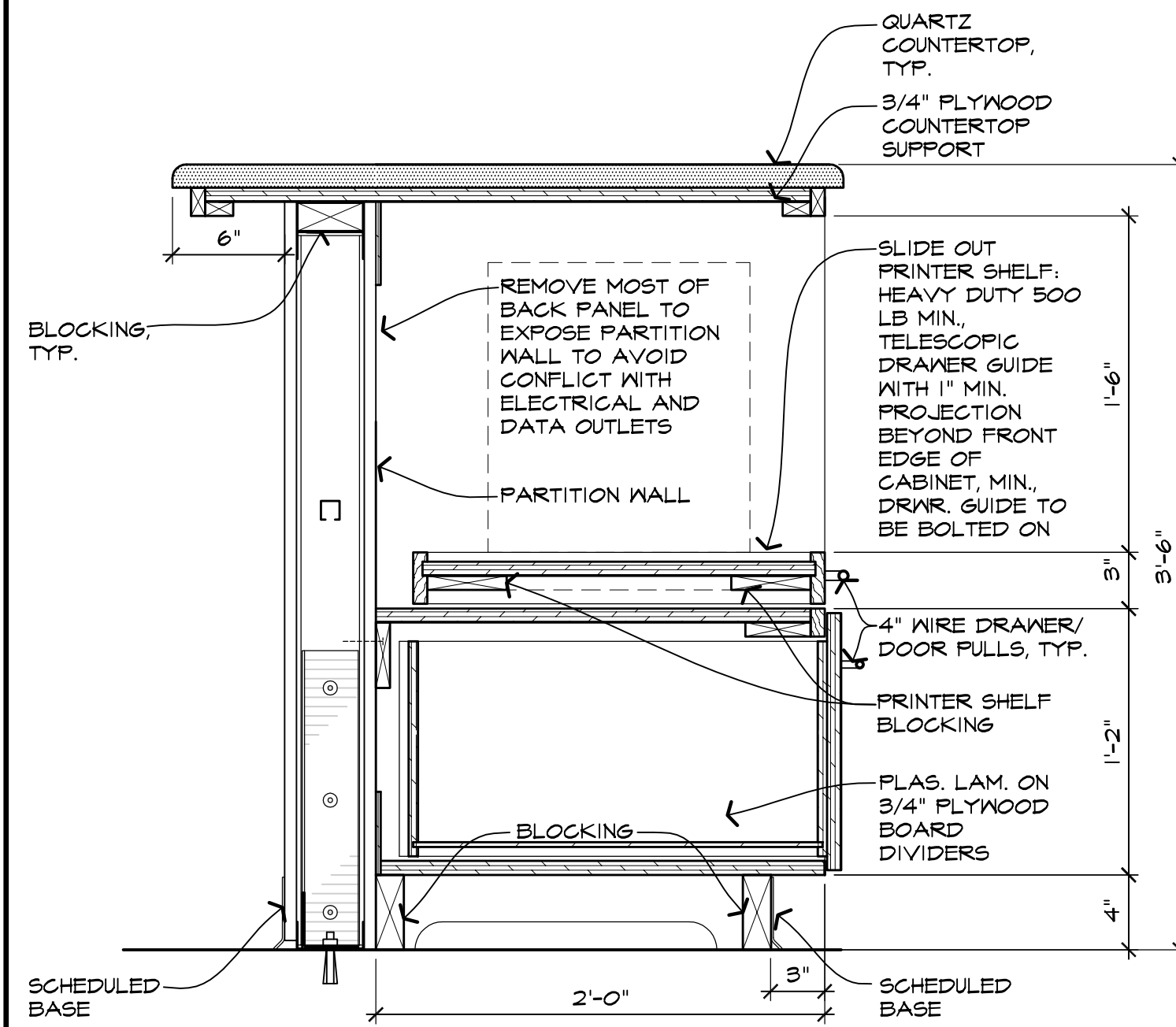


NOTE:
 • RECEPTACLES WITH WIRING WILL BE RUN INSIDE MOST OF THE CABINETS; COORDINATE WITH ELECTRICAL CONTRACTOR.
 • PROVIDE GROMMETS IN ALL COUNTERTOPS PER IMMUNOTEK SPECIFICATIONS. NUMBER AND LOCATION TO BE DETERMINED UPON BUILDING OCCUPANCY.

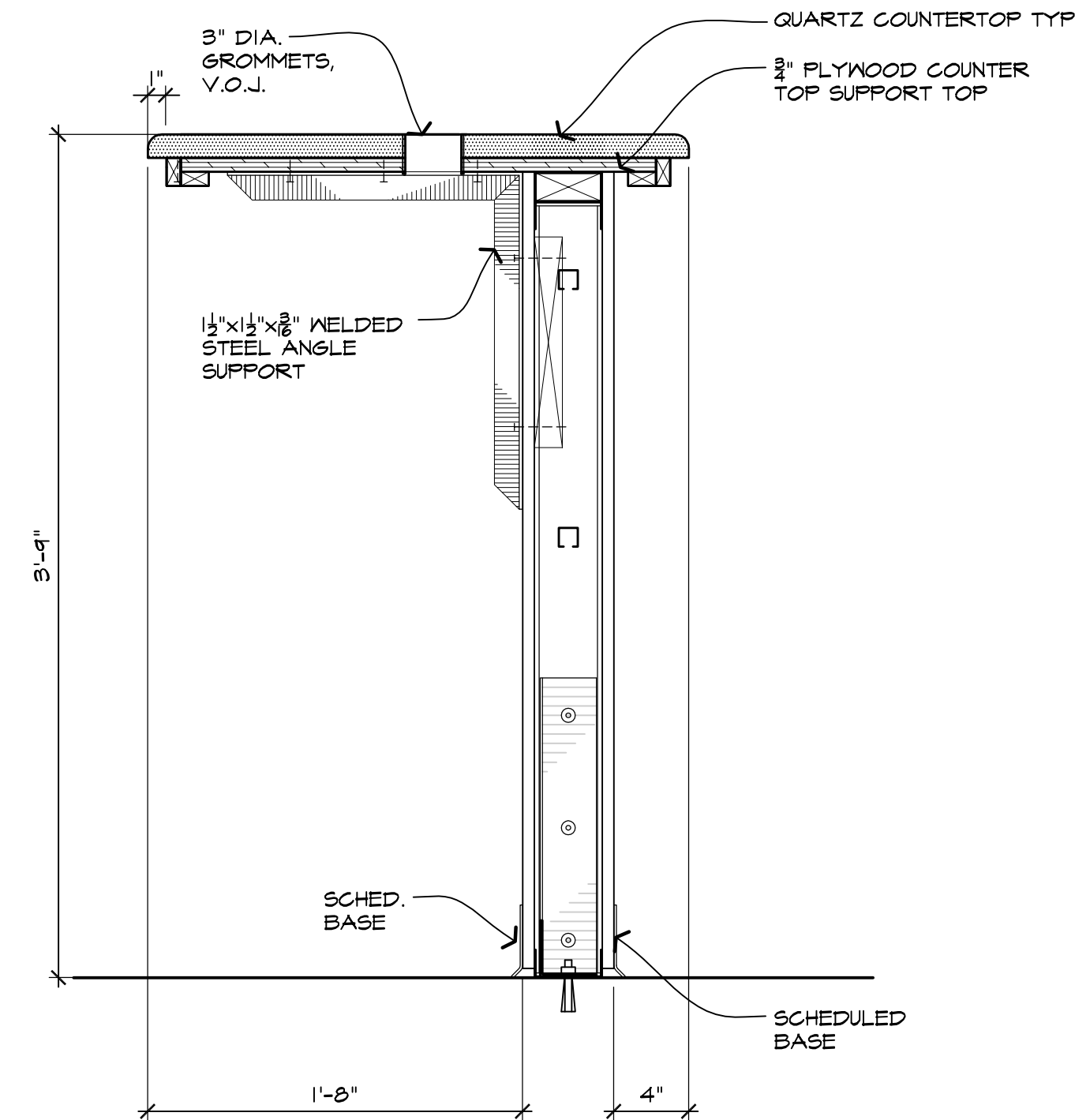


DRAWER CONSTRUCTION:
 • 3/4" PLYWOOD FACE WITH PLAS. LAM. FINISH
 • 1/2" HARDWOOD SIDES AND BACK WITH WHITE PLAS. LAM. FINISH
 • 1/4" PLYWOOD BOTTOM WITH WHITE PLAS. LAM. FINISH
 • "ACQUAIDE" HEAVY DUTY (100 LBS) GLIDES

CABINET 1 SECTION DETAIL

SCALE: 1/2"=1'-0"

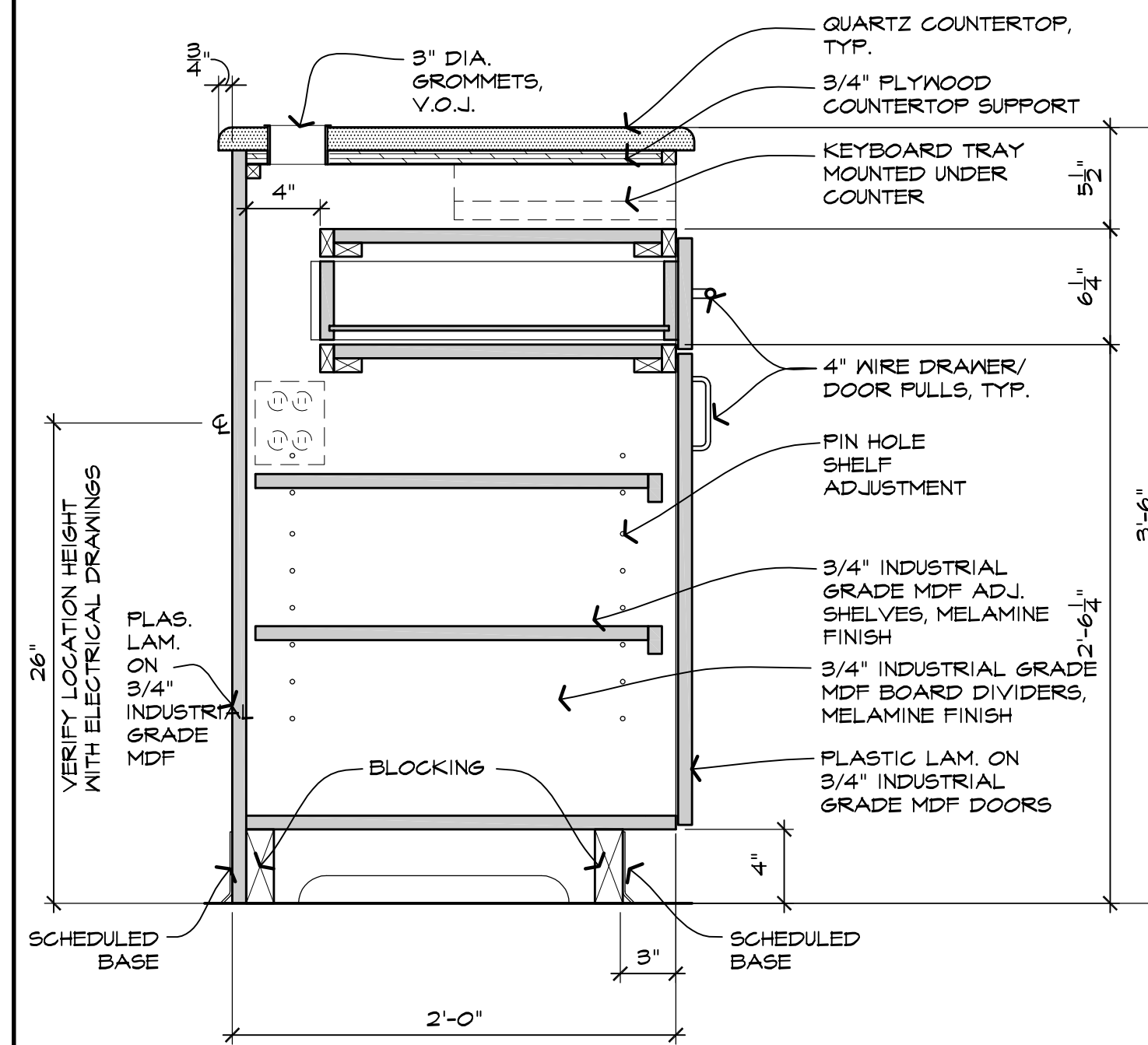
NOTE:
 • RECEPTACLES WITH WIRING WILL BE RUN INSIDE MOST OF THE CABINETS; COORDINATE WITH ELECTRICAL CONTRACTOR.
 • PROVIDE GROMMETS IN ALL COUNTERTOPS PER IMMUNOTEK SPECIFICATIONS. NUMBER AND LOCATION TO BE DETERMINED UPON BUILDING OCCUPANCY.



CABINET 2 SECTION DETAIL

SCALE: 1/2"=1'-0"

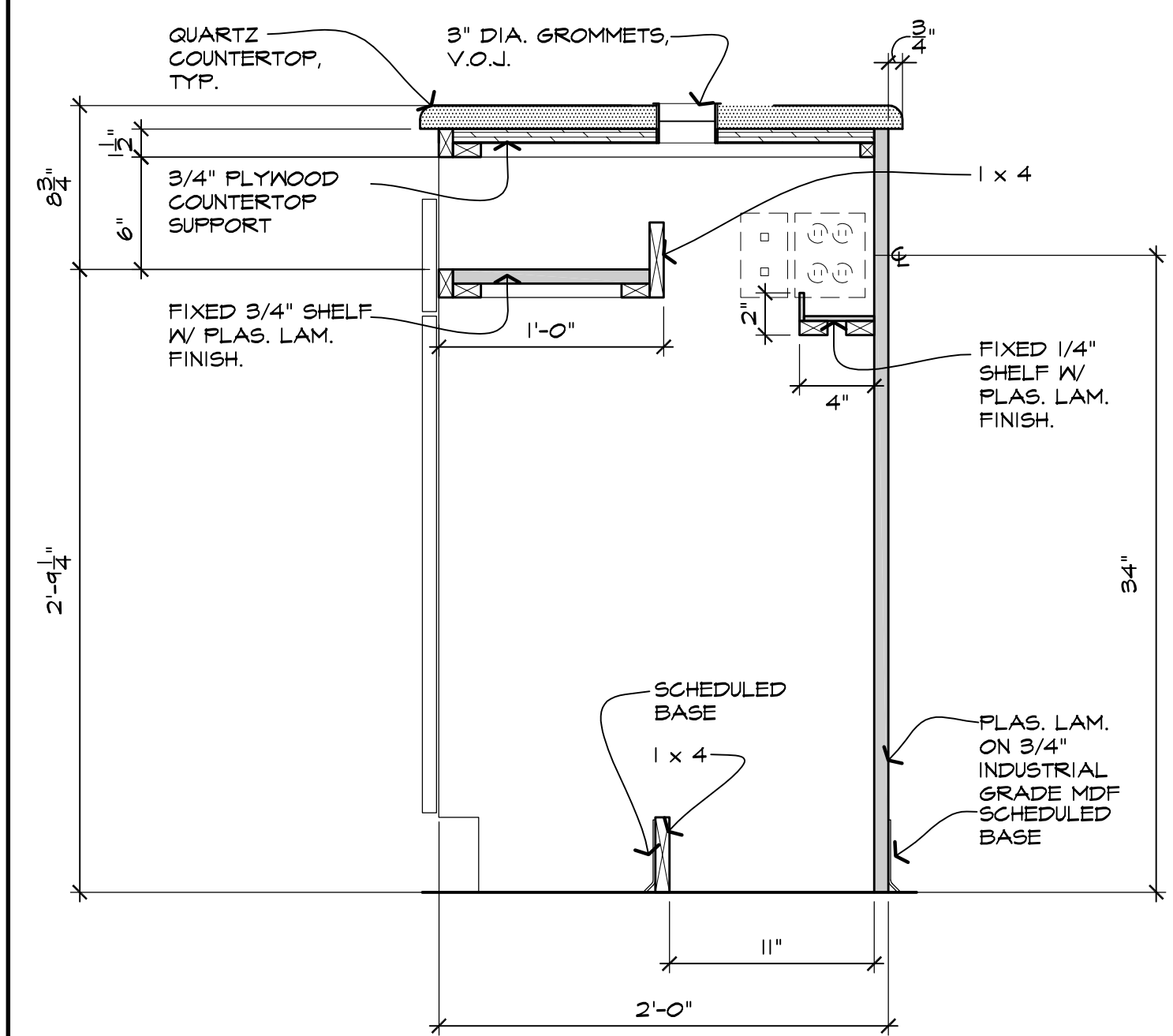
NOTE:
 • RECEPTACLES WITH WIRING WILL BE RUN INSIDE MOST OF THE CABINETS; COORDINATE WITH ELECTRICAL CONTRACTOR.
 • PROVIDE GROMMETS IN ALL COUNTERTOPS PER IMMUNOTEK SPECIFICATIONS. NUMBER AND LOCATION TO BE DETERMINED UPON BUILDING OCCUPANCY.



CABINET 3 SECTION DETAIL

SCALE: 1/2"=1'-0"

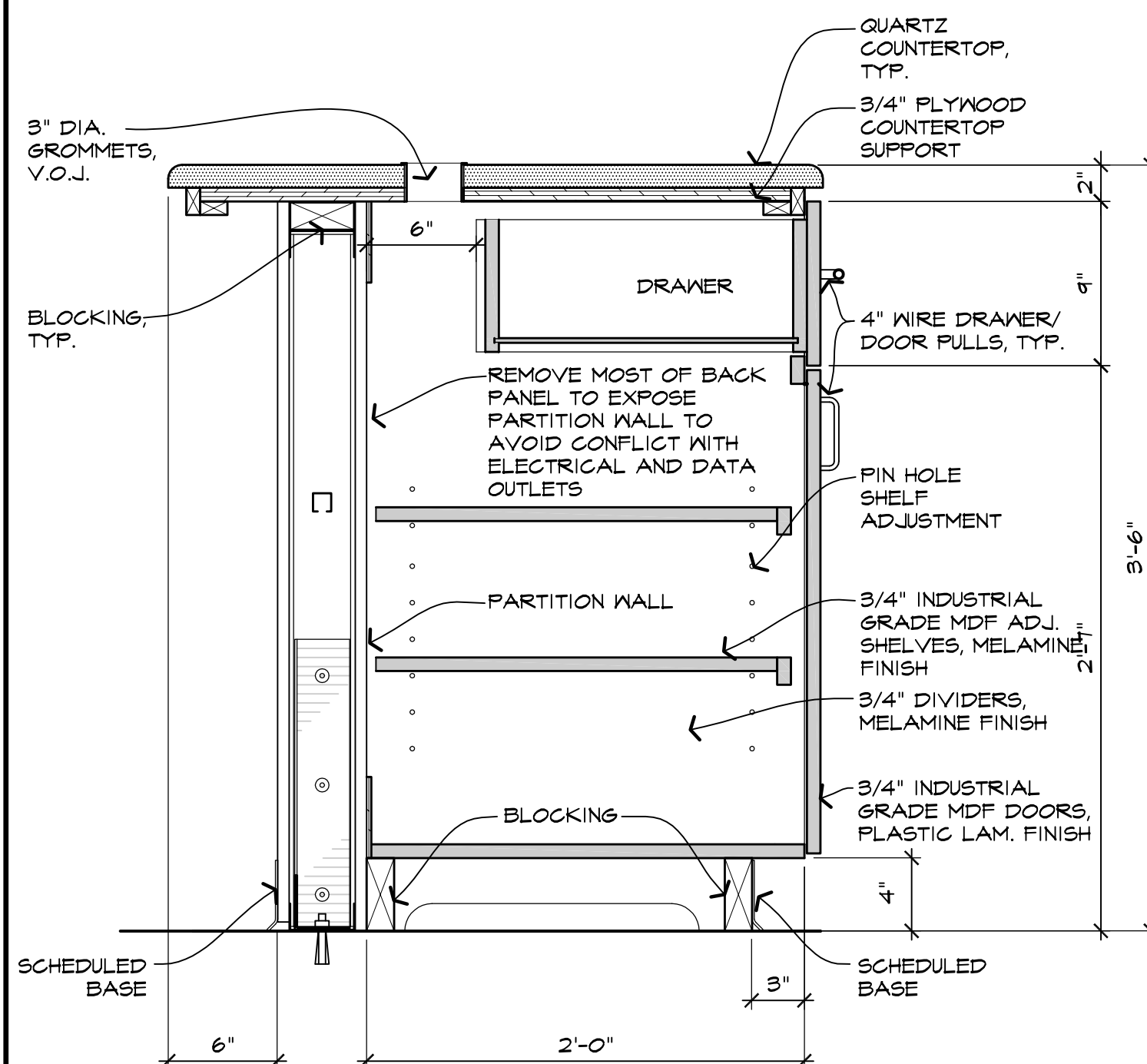
NOTE:
 • RECEPTACLES WITH WIRING WILL BE RUN INSIDE MOST OF THE CABINETS; COORDINATE WITH ELECTRICAL CONTRACTOR.
 • PROVIDE GROMMETS IN ALL COUNTERTOPS PER IMMUNOTEK SPECIFICATIONS. NUMBER AND LOCATION TO BE DETERMINED UPON BUILDING OCCUPANCY.



CABINET 4 SECTION DETAIL

SCALE: 1/2"=1'-0"

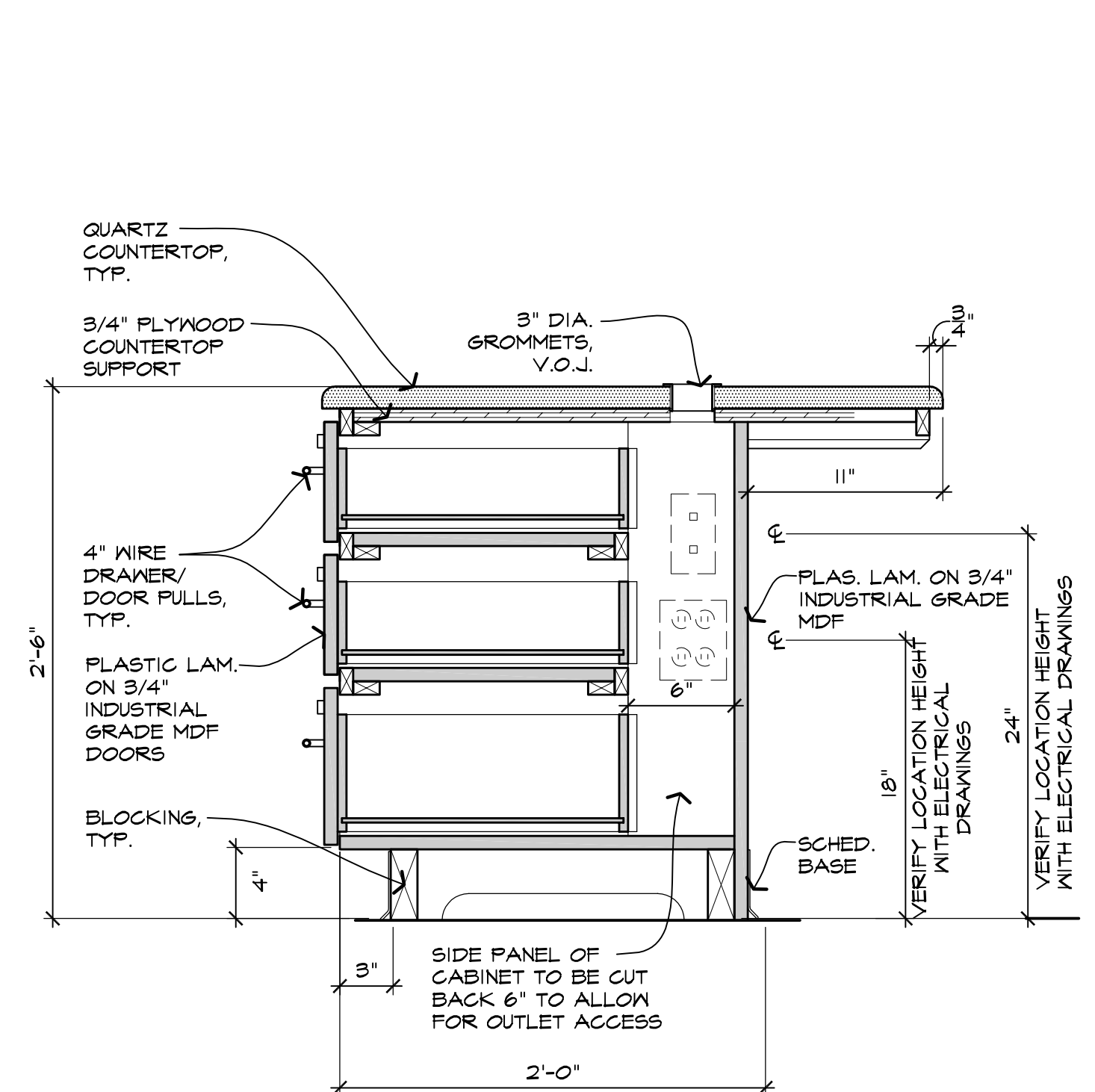
NOTE:
 • RECEPTACLES WITH WIRING WILL BE RUN INSIDE MOST OF THE CABINETS; COORDINATE WITH ELECTRICAL CONTRACTOR.
 • PROVIDE GROMMETS IN ALL COUNTERTOPS PER IMMUNOTEK SPECIFICATIONS. NUMBER AND LOCATION TO BE DETERMINED UPON BUILDING OCCUPANCY.



CABINET 5 SECTION DETAIL

SCALE: 1/2"=1'-0"

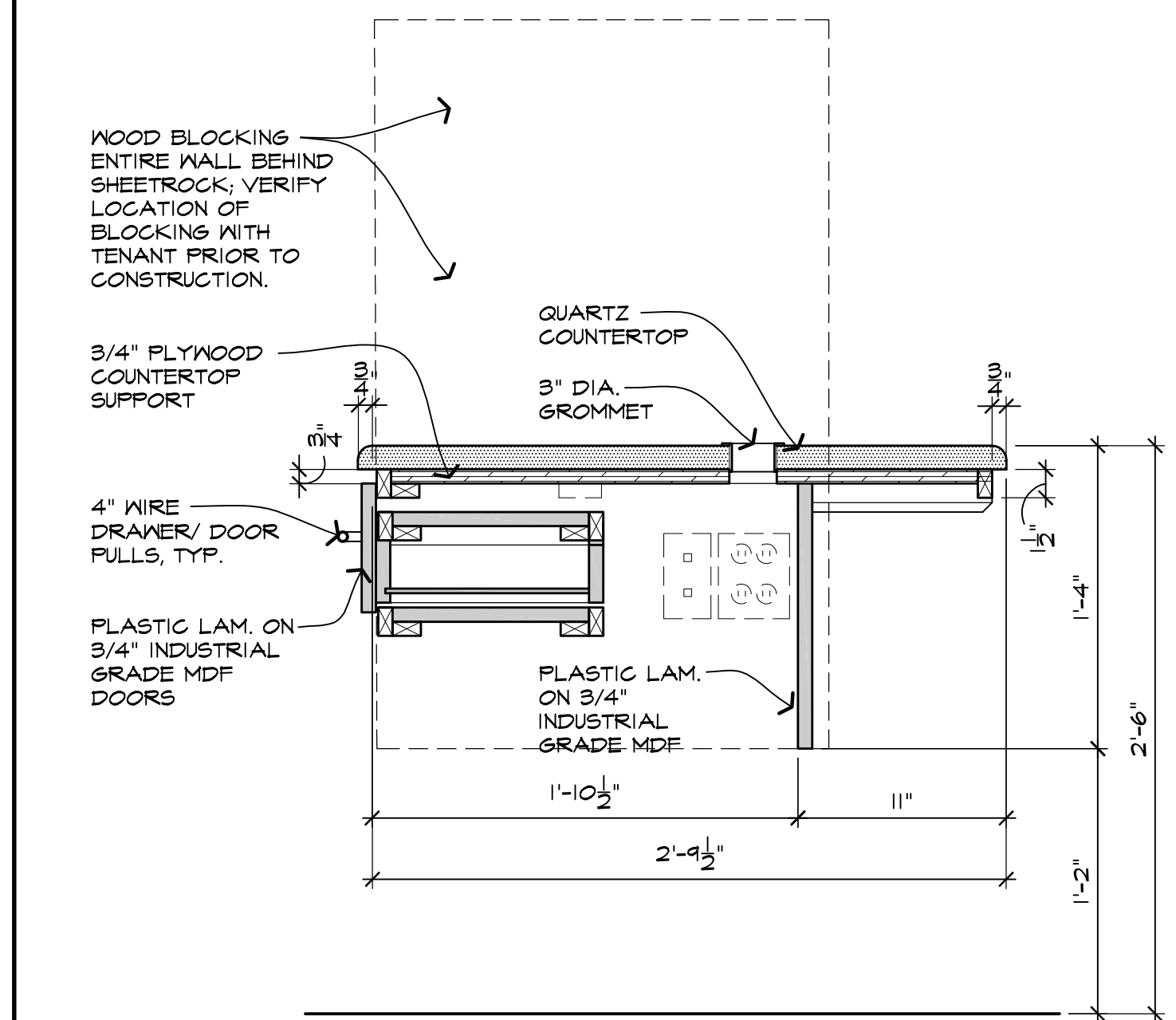
NOTE:
 • RECEPTACLES WITH WIRING WILL BE RUN INSIDE MOST OF THE CABINETS; COORDINATE WITH ELECTRICAL CONTRACTOR.
 • PROVIDE GROMMETS IN ALL COUNTERTOPS PER IMMUNOTEK SPECIFICATIONS. NUMBER AND LOCATION TO BE DETERMINED UPON BUILDING OCCUPANCY.



CABINET 6 SECTION DETAIL

SCALE: 1/2"=1'-0"

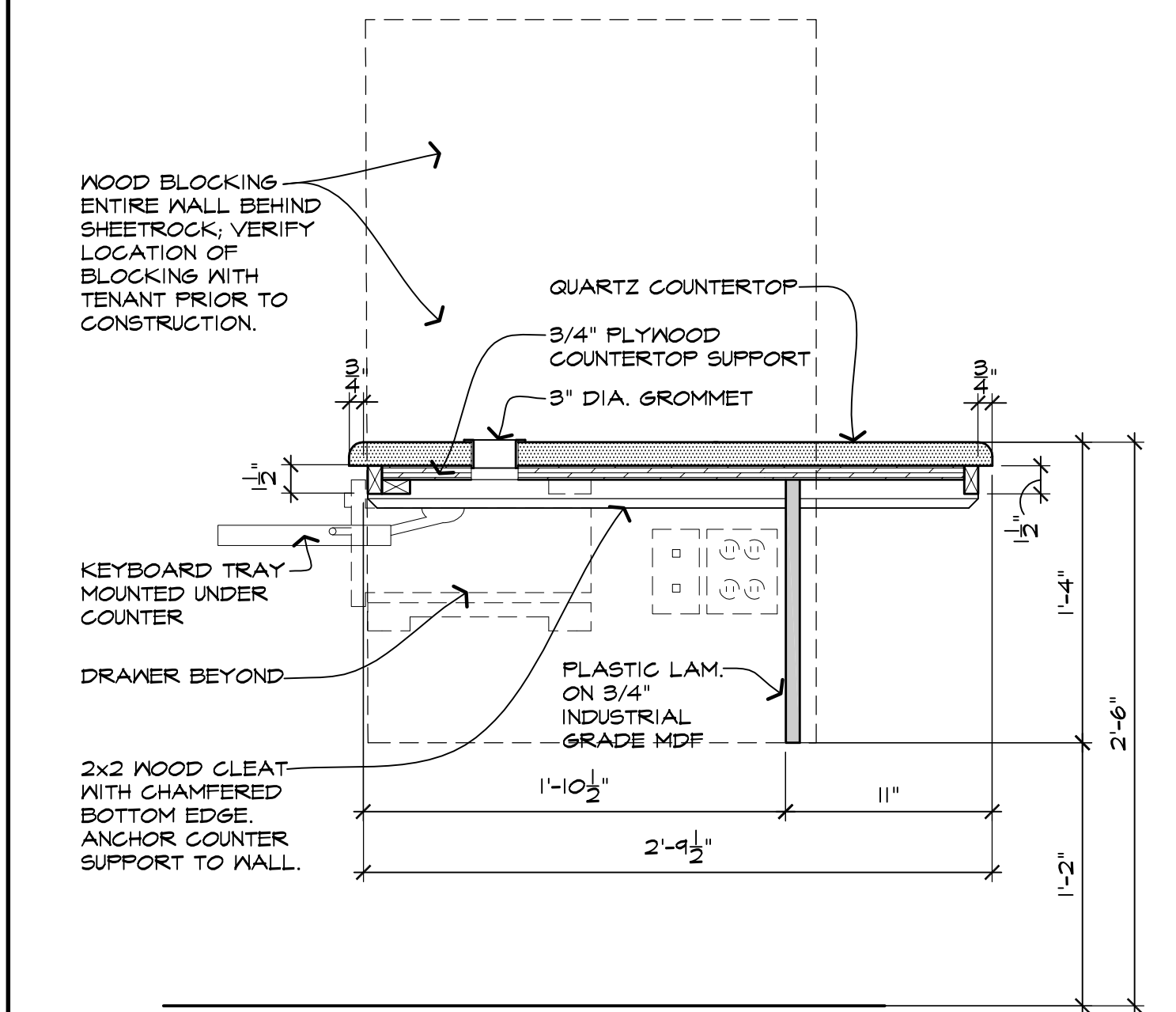
NOTE:
 • RECEPTACLES WITH WIRING WILL BE RUN INSIDE MOST OF THE CABINETS; COORDINATE WITH ELECTRICAL CONTRACTOR.
 • PROVIDE GROMMETS IN ALL COUNTERTOPS PER IMMUNOTEK SPECIFICATIONS. NUMBER AND LOCATION TO BE DETERMINED UPON BUILDING OCCUPANCY.



CABINET 7 SECTION DETAIL

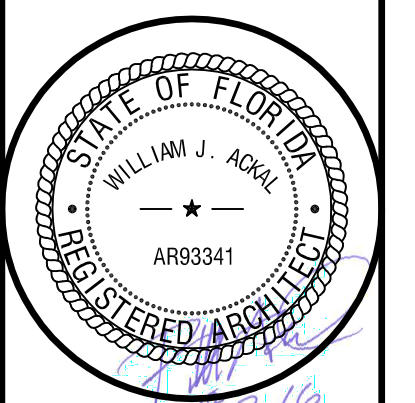
SCALE: 1/2"=1'-0"

NOTE:
 • RECEPTACLES WITH WIRING WILL BE RUN INSIDE MOST OF THE CABINETS; COORDINATE WITH ELECTRICAL CONTRACTOR.
 • PROVIDE GROMMETS IN ALL COUNTERTOPS PER IMMUNOTEK SPECIFICATIONS. NUMBER AND LOCATION TO BE DETERMINED UPON BUILDING OCCUPANCY.



CABINET 8 SECTION DETAIL

SCALE: 1/2"=1'-0"



COPYRIGHT © 2016 ACKAL ARCHITECTS, APC.
 THIS DOCUMENT IS THE PROPERTY OF ACKAL ARCHITECTS, APC.
 THIS DOCUMENT MAY NOT BE COPIED, REPRODUCED OR USED WITHOUT WRITTEN CONSENT FROM ACKAL ARCHITECTS, APC.
 proj. no. 16-002
 date: 08-02-2016
 project architect: B.A.
 project manager: A.D.
 drawn by: A.D., J.L., C.T.
 file name: LAKEWORTH
 revised:
 plot scale: 1:1
 sheet name: