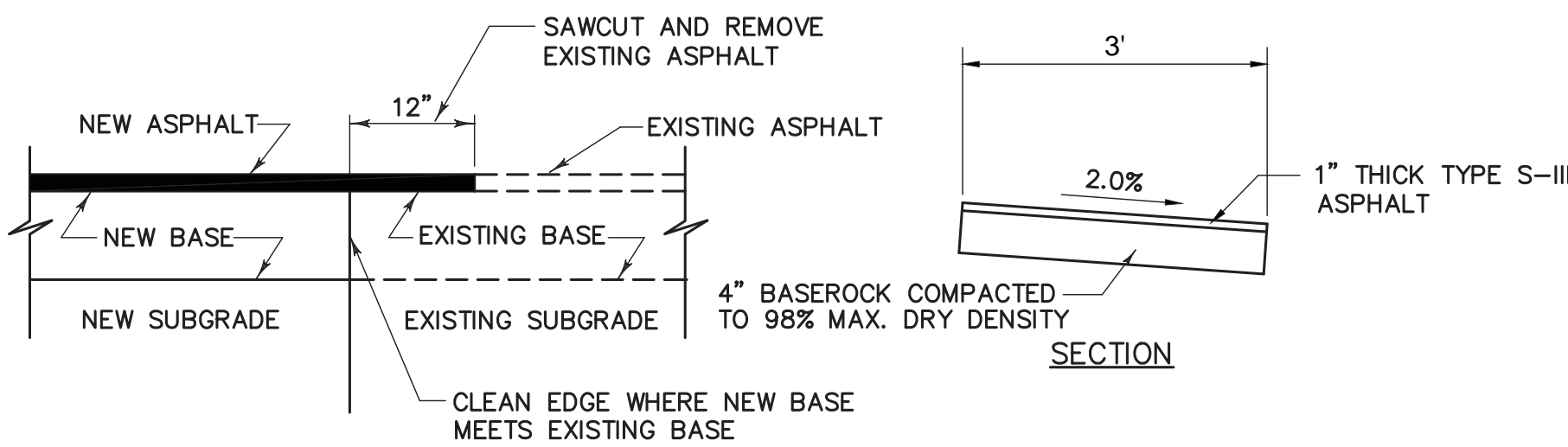
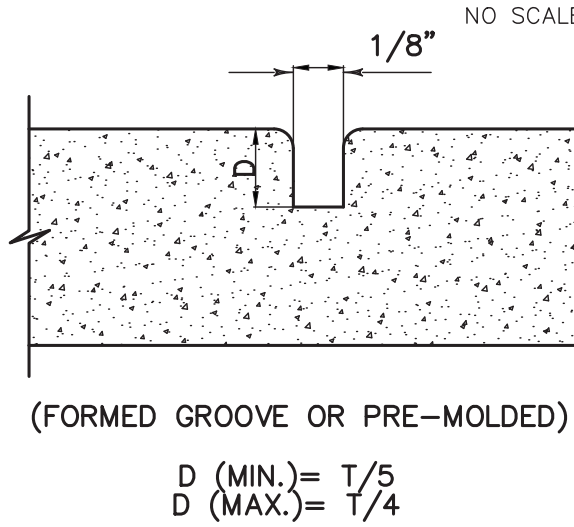


SECTION 'A' - 'A'

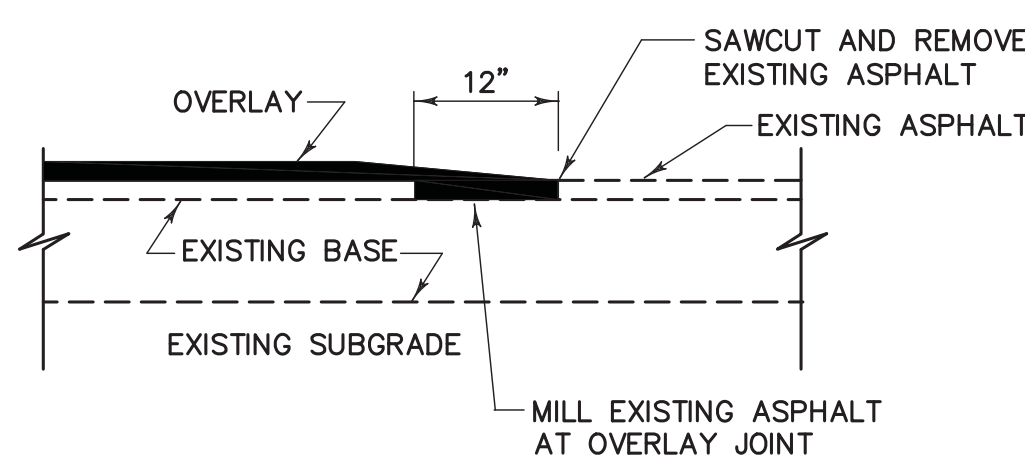


ASPHALT SIDEWALK DETAIL

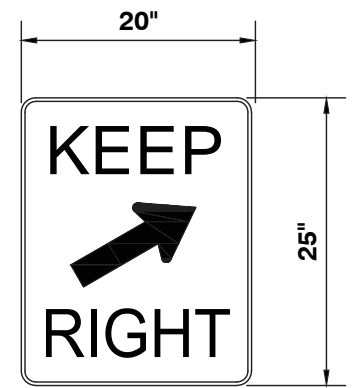
ASPHALT JOINT DETAIL



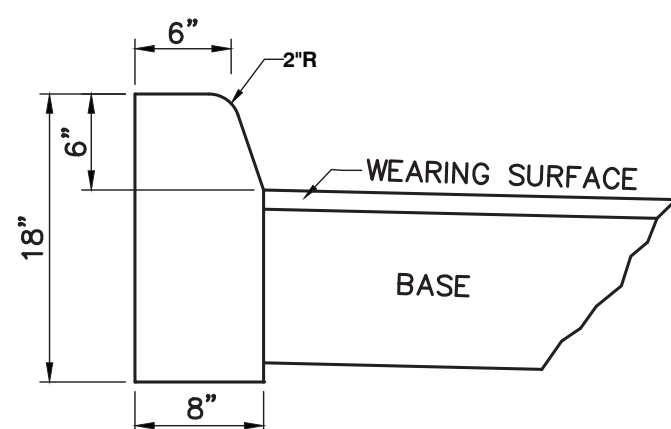
GROOVE JOINT



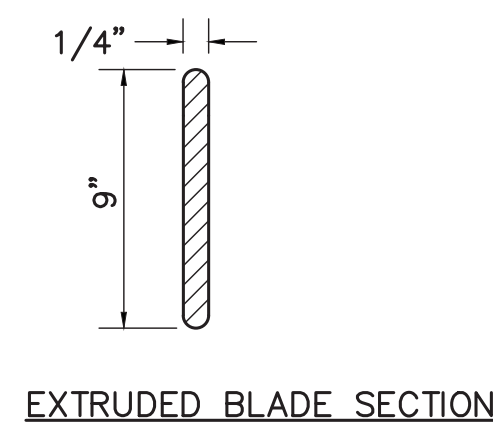
OVERLAY JOINT DETAIL



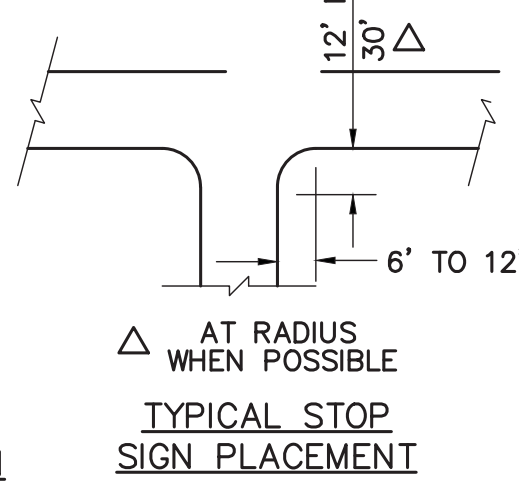
R04-07B  
KEEP RIGHT SIGN DETAIL



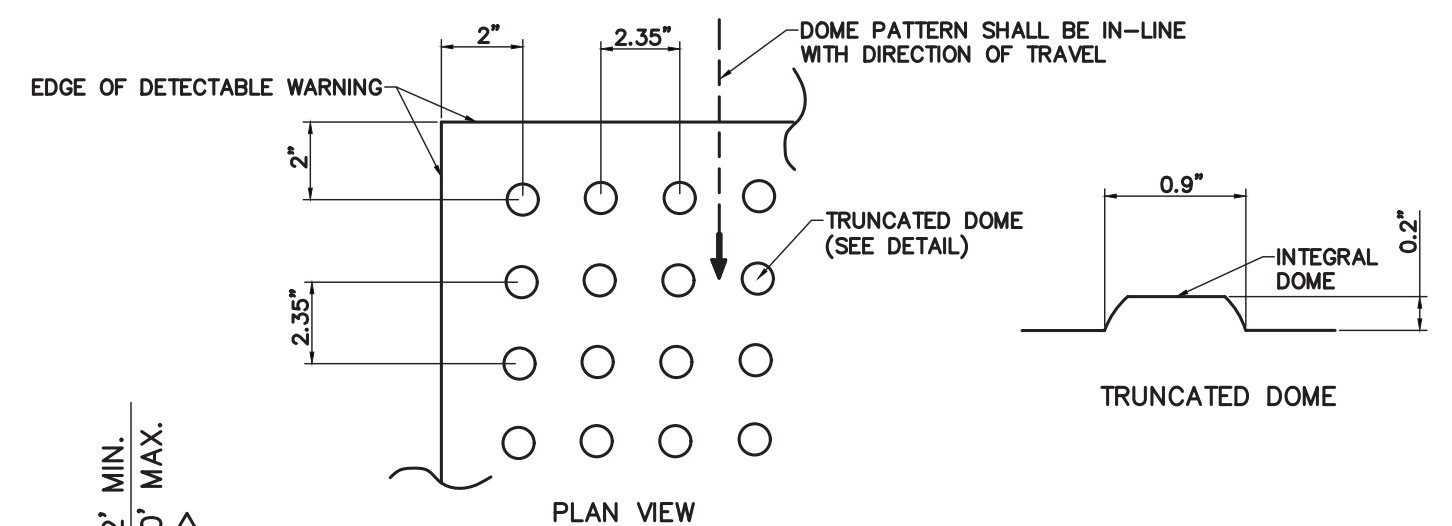
TYPE 'D' CURB



EXTRUDED BLADE SECTION

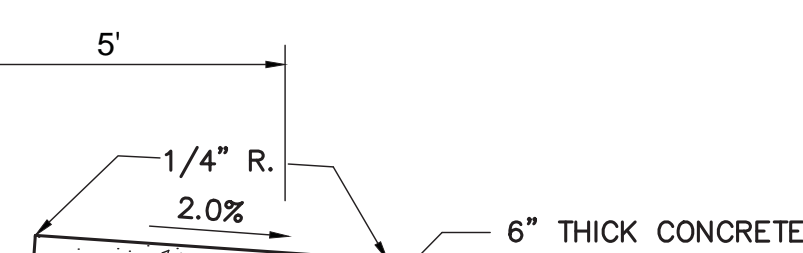


TYPICAL STOP SIGN PLACEMENT

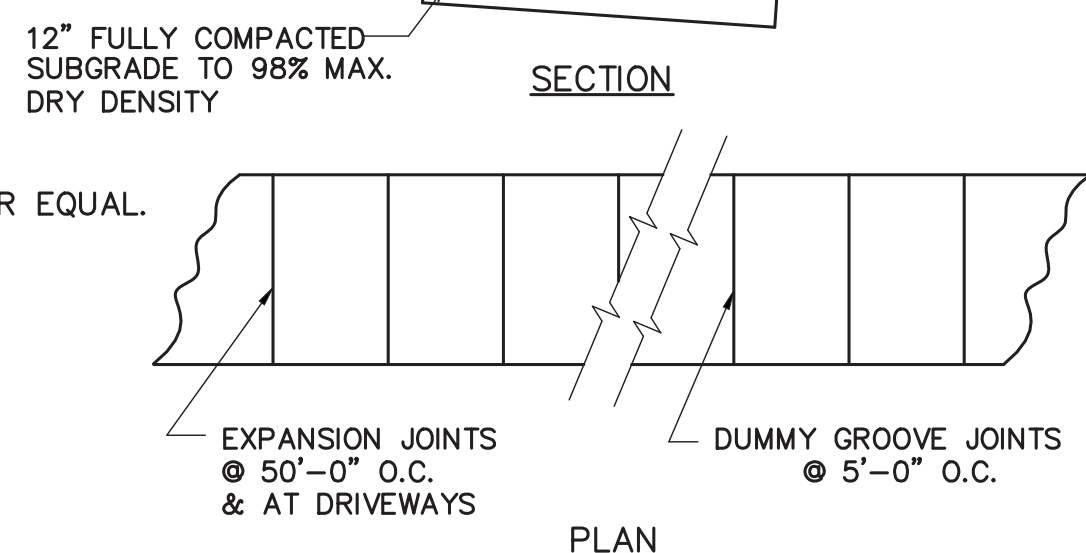


CURB RAMP DETECTABLE WARNING

ALL DETECTABLE WARNINGS SHALL BE OF THE TYPE THAT WILL BE EMBEDDED IN THE FRESHLY POURED CONCRETE



SECTION



PLAN

CONCRETE SIDEWALK DETAILS

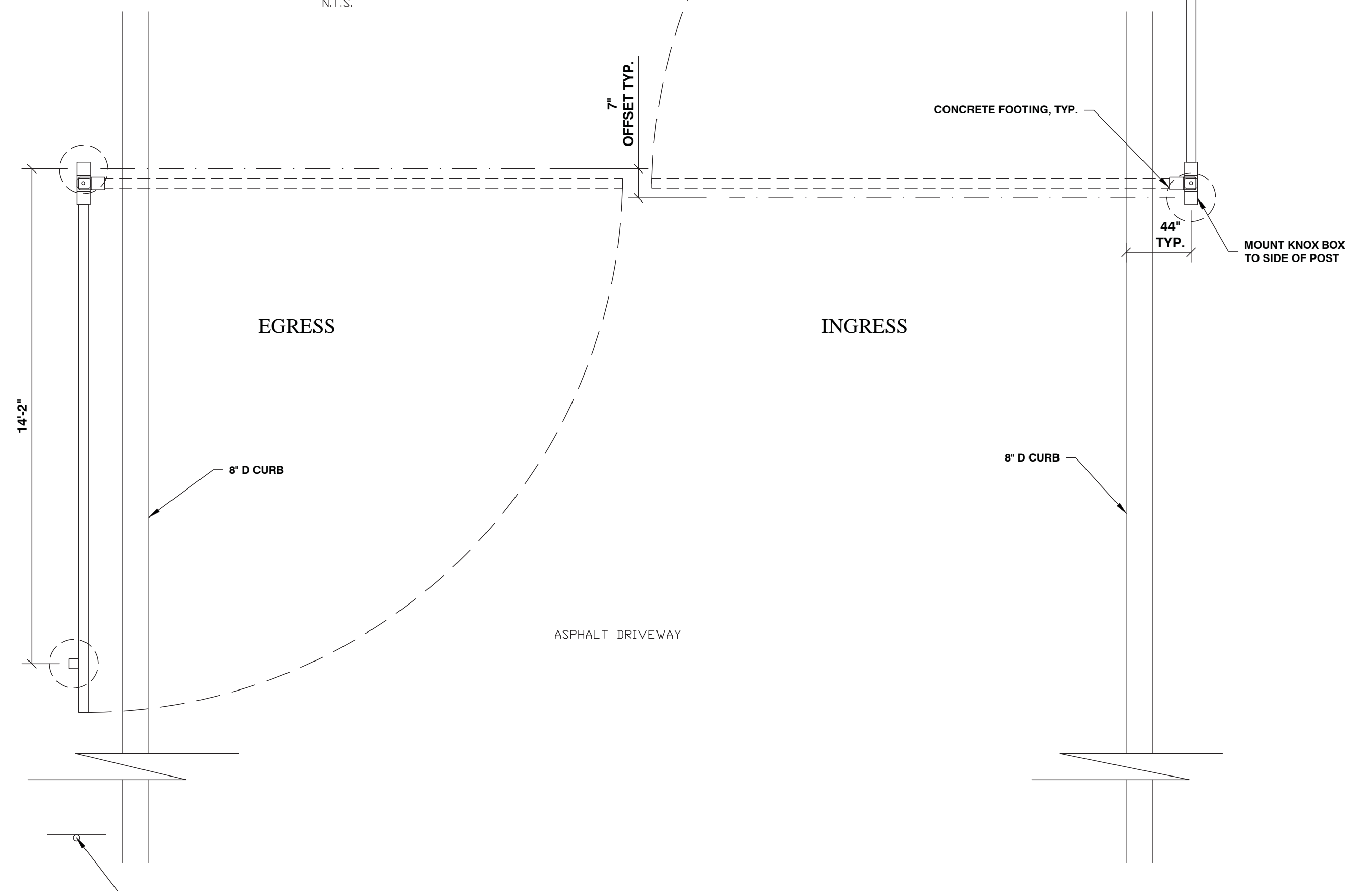
HINGE DETAIL

HINGE PLATE DETAIL

- NOTES:
1. ALL ALUMINUM TUBING TO BE 1/4" THICK AND WELDED WITH ROUNDED EDGES.
  2. ALL JOINTS TO BE WELDED.
  3. ALL OPEN ENDS OF ALUM. TUBING TO BE CAPPED WITH 1/4" ALUM. PLATE, WELDED. EDGES TO BE GRIND SMOOTH AND ROUNDED.
  4. LATCHING POSTS TO HAVE 9" LONG CHAIN BOLTED ON NEAR TOP. ONE TO HAVE PAD LOCK WELDED TO END OF CHAIN.

SWING GATE ELEVATION

SWING GATE / LATCH POST PLAN

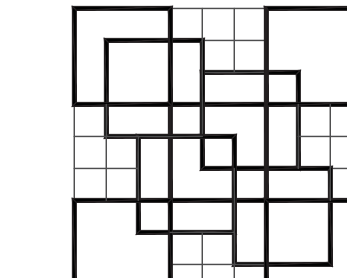


SWING GATE LOCATION

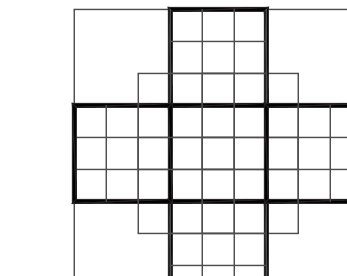
FREDERICK ROTH, JR., P.E.  
FLORIDA LICENSE # 18991  
FOR MICHAEL B. SCHORAH  
AND ASSOCIATES, INC.

100% DOCUMENT 8/17/15

**MICHAEL B. SCHORAH & ASSOCIATES, INC.**  
ENGINEERS SURVEYORS DEVELOPMENT CONSULTANTS  
TEL: (561) 968-0090  
FAX: (561) 942-9726  
LB# 2438  
www.schorah.com  
1850 FOREST HILL BLVD., SUITE 206  
WEST PALM BEACH, FLORIDA 33406

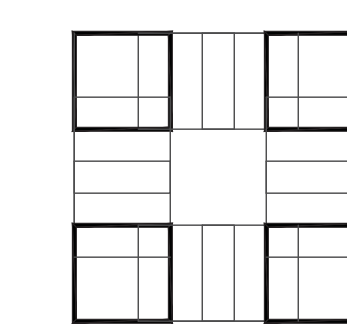


COLOME' & Associates, Inc.  
AA 0003439  
530 24TH STREET  
WEST PALM BEACH  
FLORIDA 33407  
(561) 833-9147  
Architect: ELIZABETH A. G. COLOME'  
REG. NUMBER: AR 0014839



P. B. C.  
R.G. KREUSLER PARK  
RESTROOM BUILDING  
AND ENTRY DRIVE  
MODIFICATIONS  
PBC NO 14204  
2665 SOUTH OCEAN BLVD.

LAKE WORTH  
FLORIDA  
PROJECT NO.  
201402



SHEET TITLE:  
DETAILS AND NOTES

REVISIONS:  
10/30/15 PER RED LINE COMMENTS

DATE  
6/4/15  
DRAWN BY:  
MV  
CHECKED BY:  
FR

SHEET  
NUMBER:

C-2

DETAILS AND NOTES

SCALE: 1"=10'-0"