

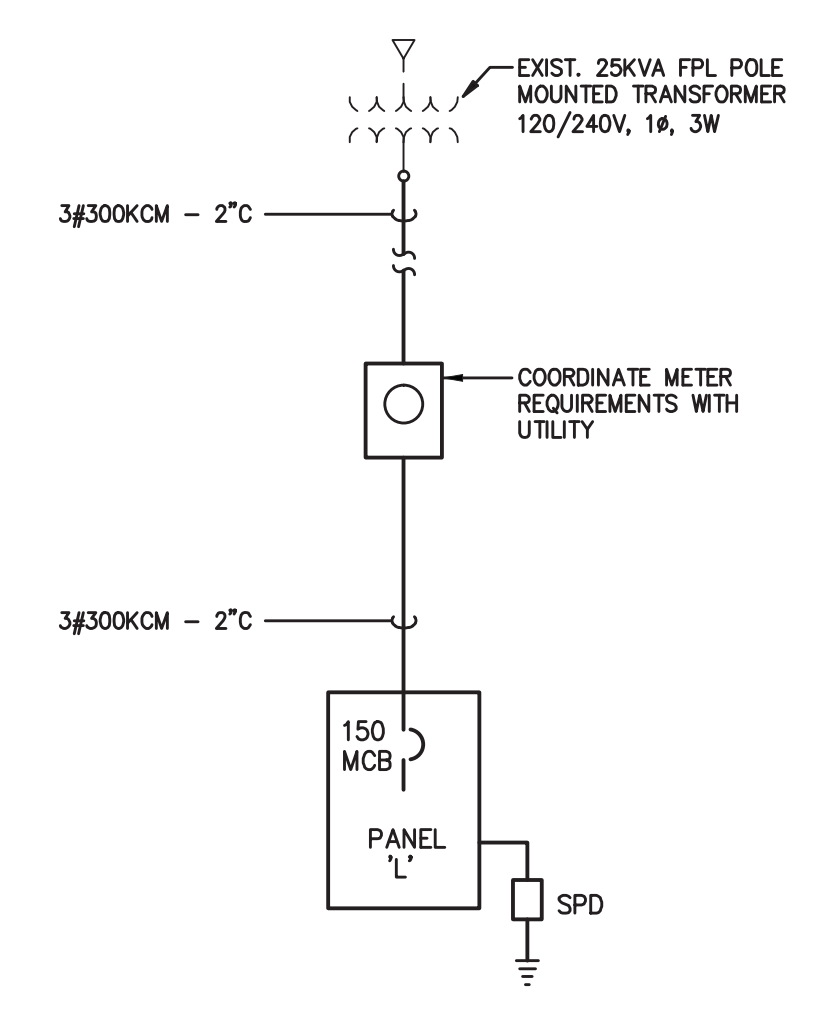
The information contained herein is the property of Johnson, Levinson, Ragan, Davila, Inc. (JLRD) and is intended for copyright. Unauthorized use is prohibited. JLRD makes no warranty or guarantee as to the accuracy or completeness of the information contained herein, use without full verification is at the user's own risk. The user hereby represents, warrants, and agrees to hold JLRD harmless from any use, and such use shall be construed as an authorized acceptance of the above conditions.

### GENERAL ELECTRICAL NOTES

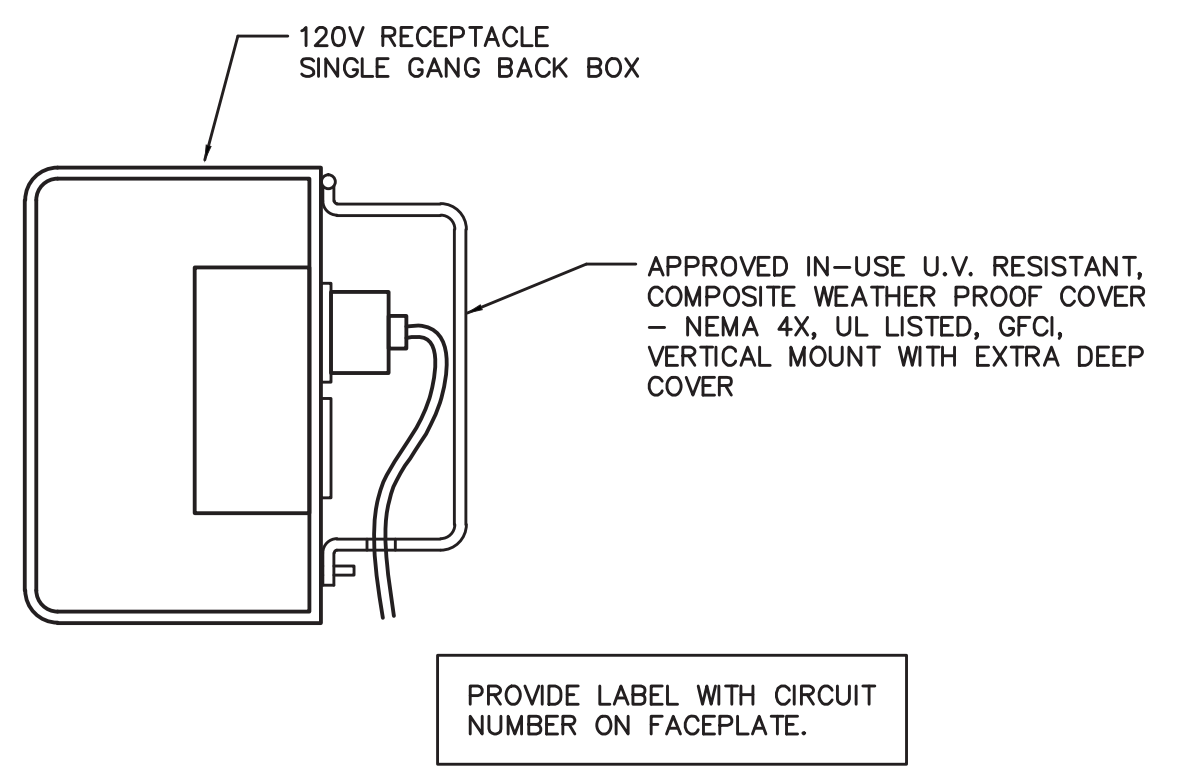
- ALL ELECTRICAL WORK SHALL COMPLY WITH NATIONAL ELECTRICAL CODE, THE NATIONAL FIRE CODES, THE AMERICANS WITH DISABILITIES ACT, AND THE FLORIDA BUILDING CODE.
- THE CONTRACTOR SHALL THOROUGHLY REVIEW THE PROJECT TO ENSURE THAT ALL WORK SHALL MEET OR EXCEED THE ABOVE REQUIREMENTS. ANY ALLEGED DISCREPANCIES SHALL BE BROUGHT TO THE ENGINEER'S ATTENTION PRIOR TO BID.
- THE CONTRACTOR IS DIRECTED TO OBTAIN COPIES OF ALL RELATED PLANS, SPECIFICATIONS, SHOP DRAWINGS AND ADDENDUM TO COORDINATE THE RELATED WORK AND SCHEDULING.
- ALL PANELBOARDS SHALL BE PROVIDED WITH A TYPEWRITTEN SCHEDULE SHOWING CIRCUIT NUMBERS AND A COMPLETE DESCRIPTION OF EACH CIRCUIT.
- MINIMUM TRADE SIZE CONDUIT PERMITTED SHALL BE 1/2 INCH UNLESS NOTED OTHERWISE.
- ALL CONDUCTOR METAL SHALL BE COPPER WITH 600 VOLT INSULATION TYPE THHN. (MINIMUM SIZE SHALL BE #12AWG.) CONTRACTOR SHALL ADJUST WIRE AND CONDUIT SIZES IF OTHER INSULATION TYPES ARE USED.
- ALL LIGHT SWITCHES AND DUPLEX RECEPTACLES SHALL BE RATED FOR 20 AMPERE AT 125/277 VOLTS A/C. WIRING DEVICES SHALL BE MANUFACTURED BY HUBBELL OR APPROVED EQUAL. PROVIDE BARRIERS AT 277V SWITCHES WHERE REQUIRED BY N.E.C. ARTICLE 404-8(b).
- ALL SPECIAL PURPOSE OUTLETS SHALL BE PROVIDED TO MATCH EQUIPMENT TO BE SUPPLIED.
- ALL PANELBOARDS, SWITCHES AND CIRCUIT BREAKERS SHALL BE SQUARE D.
- ALL CONDUITS SHALL HAVE A SEPARATE GREEN GROUND CONDUCTOR INSTALLED FOR GROUNDING.
- ANY EXISTING UTILITIES LOCATED IN THE AREA OF CONSTRUCTION WHICH REQUIRE RELOCATION BY THE OWNER SHALL BE COORDINATED WITH THE OWNER'S REPRESENTATIVE A MINIMUM OF TEN DAYS IN ADVANCE.
- ALL DISCONNECT SWITCHES SHALL BE THE HEAVY DUTY TYPE WITH BUSSMAN TIME DELAY, DUAL ELEMENT AND CURRENT LIMITING FUSES.
- ALL EMPTY CONDUITS SHALL CONTAIN JET LINE #232 POLYOFIN 200 LB. TEST.
- ALL WORK SHOWN ON THE ELECTRICAL PLANS SHALL BE PERFORMED BY THE CONTRACTOR UNLESS NOTED OTHERWISE.
- EQUIPMENT INSTALLED WITHIN CONCEALED SPACES SHALL HAVE REASONABLE ACCESS PANELS PROVIDED NEARBY FOR INSPECTION, TESTING AND SERVICE CONSIDERATIONS.
- REFER TO SPECIFICATIONS FOR MORE INFORMATION.

### ELECTRICAL SYMBOL LEGEND

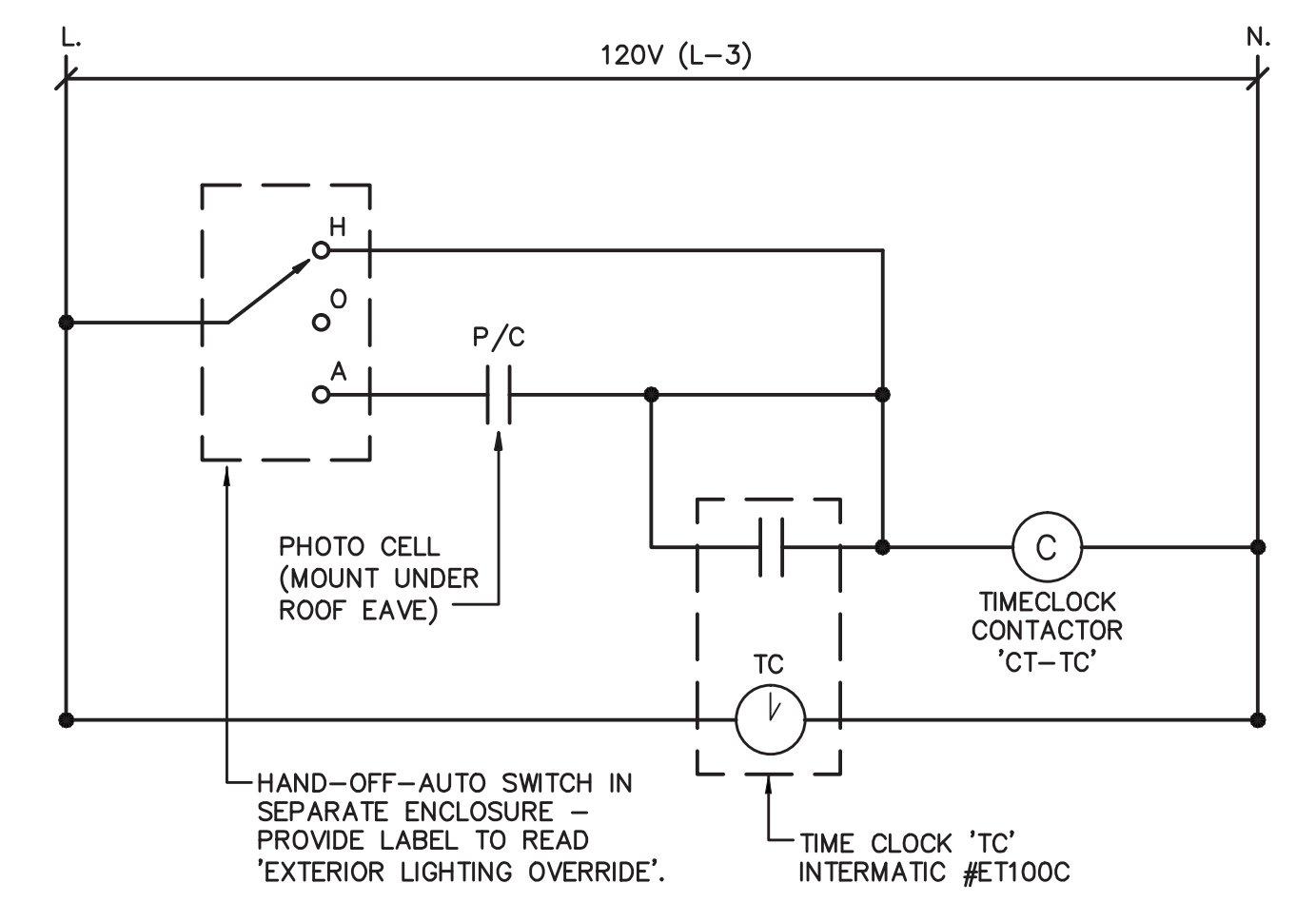
OC	OVERCOUNTER		CEILING OCCUPANCY SENSOR
GFI	GROUND FAULT INTERRUPT		TRANSFORMER - SEE SCHEDULE FOR RATING
EXP	EXPLOSIONPROOF		MOTOR
WP	WEATHERPROOF		COMBINATION MOTOR STARTER SEE SCHEDULE FOR RATING
	FLUORESCENT LIGHTING FIXTURE (SEE FIXTURE SCHEDULE)		DISCONNECT SWITCH SEE SCHEDULE FOR RATING
	FLUORESCENT STRIP FIXTURE (SEE FIXTURE SCHEDULE)		120/208V PANELBOARD
	FLUORESCENT FIXTURE - WALL MOUNT (SEE FIXTURE SCHEDULE)		GROUND CONNECTION
	INCAN. OR H.I.D. LIGHTING FIXTURE (SEE FIXT. SCHEDULE)		LINE VOLTAGE THERMOSTAT
	INCAN. OR H.I.D. LIGHTING FIXTURE (WALL BRACKET) SEE FIXT. SCHEDULE		SWITCHING SEQUENCE
	DESIGNATES LIGHTING FIXTURE IS AN UNSWITCHED 'NIGHT LIGHT'		EQUIPMENT SCHEDULE NOTATION
	FLUORESCENT LIGHTING FIXTURE WITH INTEGRAL BATTERY BALLAST		JUNCTION PULL BOX
	FLUORESCENT LIGHTING FIXTURE WITH INTEGRAL BATTERY BALLAST		COMMUNICATIONS OUTLET
	EMERGENCY BATTERY BACK-UP		FIRE ALARM HORN/STROBE
	EXIT LIGHT (CEIL. OR WALL) ARROWS AS SHOWN SOLID QUADRANT INDICATES FACE		FIRE ALARM STROBE LIGHT ONLY
	GROUND TYPE SINGLE RECEPTACLE 120V-20A. +18" AFF UNLESS NOTED OTHERWISE		FIRE ALARM PULL STATION
	GROUND TYPE DUPLEX RECEPTACLE 120V-20A. +18" AFF UNLESS NOTED OTHERWISE		COMBINATION FIXED TEMPERATURE AND RATE OF RISE HEAT DETECTOR
	GROUND TYPE DUPLEX RECEPTACLE 120V-20A. MOUNT ABOVE COUNTER OR AT HEIGHT NOTED.		CEILING M'T'D. SMOKE DETECTOR (PHOTO ELECTRIC TYPE)
	GROUND TYPE DUPLEX RECEPTACLE 120V-20A. WITH INTEGRAL GROUND FAULT INTERRUPT PROTECTION.		SMOKE DETECTOR REMOTE INDICATOR/RESET
	GROUND TYPE DOUBLE DUPLEX RECEPTACLE 120V-20A. MOUNT IN TWO GANG OUTLET BOX 18" AFF UNLESS OTHERWISE NOTED.		EXHAUST FAN
	GROUND TYPE DUPLEX RECEPTACLE 120V-20A. WITH WEATHER PROOF COVER.		SHUT-DOWN RELAY
	S.P.S.T. TOGGLE SWITCH (X = P, PILOT LIGHT)		PHOTOCELL
	TOGGLE SWITCH, 3 OR 4-WAY		
	WALL SWITCH OCCUPANCY SENSOR		



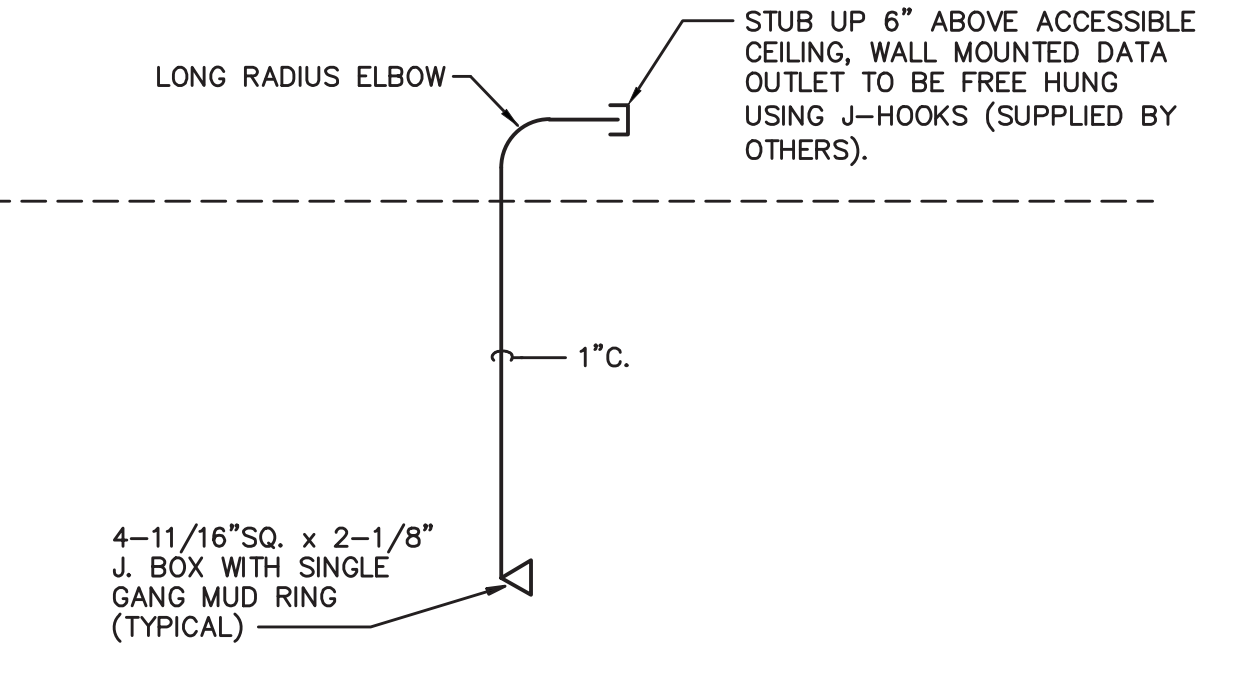
1 ONE-LINE POWER DIAGRAM SCALE: NONE



3 EXTERIOR 120V RECEPTACLE DETAIL SCALE: NONE



2 RESTROOM EXTERIOR TIMED LIGHTING CONTROL WIRING SCHEMATIC SCALE: NONE



4 DATA OUTLET SCALE: NONE

SCHEDULE OF LIGHTING EQUIPMENT AND LAMPS							
FIXT. TYPE	MANUFACTURER	CATALOG NUMBER	LAMPS	TYPE OF FIXTURE	MOUNTING	VOLTS	NOTES
					REC SUR SUS		
A	FAIL-SAFE	HVL8-4-LD4-2-STD-40-UNV-O-ED1C-S-VRSD	73W LED	4' VANDAL RESIST. LINEAR LED FIXTURE	•	UNV	NOTE #1, #2
B	LIGMAN LTG.	UNI-80333-9-9W-AMBER-M-SS-F-RT	9W LED	EXT. DOWN LIGHT "TURTLE FRIENDLY"	•	UNV	NOTE #2
C	PORTFOLIO	LD6A-10-D010TE-ERW6A10-8-40-6LW1-H-HB26	28W LED	LED DOWN LIGHT	•	UNV	
D	LIGMAN LTG.	UTA-31293-17W-AMBER-W-120-F-03	17W LED	EXT. WALL SCONCE FULL CUT-OFF	•	UNV	
E	SURE-LITES	CC4-WH-120	INCLUDED	BATTERY PACK	•	UNV	
F	METALUX	4SNLED-LD4-30SL-LW-L840-CD1-U	28W LED	4' LED LENSED STRIP	•	UNV	
G	BEACON	HLEML-45-30-X2-EMG2-AN	45W LED	EXPLOSION PROOF LED	•	120	NOTE #1, #2

**FIXTURE SCHEDULE NOTES:**

- PROVIDE FIXTURE WITH INTEGRAL BATTERY BALLAST WHERE INDICATED ON PLANS
- U.L. LISTED FOR WET LOCATION.
- PROVIDE WITH WIRE GUARD.

SUPPLY/EXHAUST FAN SCHEDULE									
NO.	H.P.	VOLTAGE	PHASE	GENERAL LOCATION	CIRCUIT	MOUNTING	DISCONN.	CONTROL	REMARKS
EF-2	1/4	120V	1ø	UNISEX TOILET 107	L-15	IN-LINE	BY MECH.	BY MECH.	
EF-3	1/4	120V	1ø	STORAGE RM. 104	L-17	IN-LINE	BY MECH.	BY MECH.	
EF-4	1/40	120V	1ø	ELEC. RM. 101	L-19	IN-LINE	BY MECH.	BY MECH.	

SEE MECHANICAL FLOOR PLANS FOR LOCATIONS AND DETAILED DESCRIPTION OF EQUIPMENT. COORDINATE EXACT LOCATION WITH DIV. 15.

CONTACTOR SCHEDULE							
NO.	NO. OF POLES	COIL VOLTAGE	CONTACT VOLTAGE	LOCATION	CIR NO.	AREA OF CONTROL	CONTROL
CT-TC	6	120	277	ELECT. RM.	L-8	LIGHTING - EXTERIOR	PHOTOCELL

DISCONNECT SWITCH SCHEDULE							
NO.	SWITCH/FUSE	VOLTAGE	LOCATION	CIR NO.	CONDUIT/CONDUCTOR	ENCL. TYPE	NOTES
DS-CU-1	30A/2P/20ADEF	208V, 1ø	EXT., WEST SIDE	L-39,41	2#12, 1#12G - 3/4" C	NEMA 4X-SS	--
DS-AHU-1	30A/2P/20ADEF	208V, 1ø	BREAKRM. 105	L-35,37	2#12, 1#12G - 3/4" C	NEMA 1	--
DS-WH-1	30A/2P/25ADEF	208V, 1ø	SHWR. RM. 106	L-34,36	2#10, 1#10G - 3/4" C	NEMA 1	--

PANELBOARD SCHEDULE											
LOCATION: ELECTRICAL ROOM 101											
PANEL 'L'											
BUS KVA	LOAD	POLES	TRIP	CIRC.	BUS	CIRC.	TRIP	POLES	LOAD	BUS KVA	
A	B				A	B			A	B	
.72	RECEPTS. - BREAKROOM	1	20	1	2	20	1	RECEPTS. - BREAKROOM	.54		
0.1	CT AND TC CONTROL CIRCUIT	1	20	3	4	20	1	LIGHTS - TOILETS	0.7		
1.5	HAND DRYER - M. TLT.	1	20	5	6	20	1	LIGHTS - BREAKROOM, STORAGE	0.6		
1.5	HAND DRYER - M. TLT.	1	20	7	8	20	1	LIGHTS - EXT. LIGHTS	0.2		
1.5	HAND DRYER - UNISEX TLT.	1	20	9	10	20	1	REFRIG. - BREAKROOM	0.5	0.2	
1.5	HAND DRYER - F. TLT.	1	20	11	12	20	1	EXIT LIGHT		0.1	
1.5	HAND DRYER - F. TLT.	1	20	13	14	20	1	CONTACTOR	0.2		
0.7	'EF-2'	1	20	15	16	20	1	GFI RECEPTACLES	1.0		
0.7	'EF-3'	1	20	17	18	20	1	RECEPT. - WATER COOLER	1.2		
0.1	'EF-4'	1	20	19	20	20	1	SPARE	--		
	IRRIGATION TIME CLOCK	1	20	21	22	20	1	WARNING BEACON LIGHT	0.1		
	SPARE	1	20	23	24	20	1	SPARE	--		
	SPARE	1	20	25	26	20	1	SPARE	--		
	SPARE	1	20	27	28	20	1	SPARE	--		
	SPARE	1	20	29	30	20	1	SPARE	--		
	SPARE	1	20	31	32	20	1	SPARE	--		
	SPARE	1	20	33	34	25	2	WATER HEATER (4KW)	2.0		
1.7	'AHU-1'	2	20	35	36				2.0		
				37	38			SPACE	--		
1.0	'CU-1'	2	20	39	40	50	2	SPD	--		
				41	42				--		

RATED VOLTAGE: 120/240V 1 PHASE, 3 WIRE FEED IS TO BE (●)BOTTOM: ( )TOP FROM: F.P.L. TX.

RATING IS TO BE ( )100 (●)225 ( )400 AMPS GROUND BAR IS REQUIRED SERVICE ENTRANCE

(●)MAIN BREAKER 150 AMPS ( ) MAIN LUGS ONLY NEUTRAL BUS IS TO BE (●)FULL ( )DOUBLE SIZE

BRANCH POLES= ( )12 ( )24 ( )30 (●)42 HINGED DOOR WITH KEYPAD LATCH (●)IS ( )IS NOT REQUIRED

PANELBOARD IS TO BE ( )FUSED (●)BOLT IN CIRCUIT BREAKER TYPE HARD WIRED SURGE PROTECTION (●)IS ( )IS NOT REQUIRED

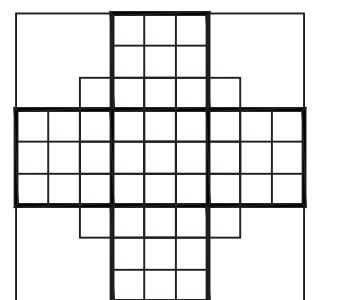
ALL BREAKERS MUST BE RATED TO INTERRUPT A SHORT CIRCUIT CURRENT I<sub>sc</sub> = 10,000 AMPS, SYM RMS NEMA 4xSS

I = 25,060 KVA / 240V = 104A CONNECTED LOAD: 25.06 KVA

**COLOME & Associates, Inc.**  
 AA 0003439  
 8320 24TH STREET  
 WEST PALM BEACH  
 FLORIDA 33411  
 (561) 833-9147

**JLRD**

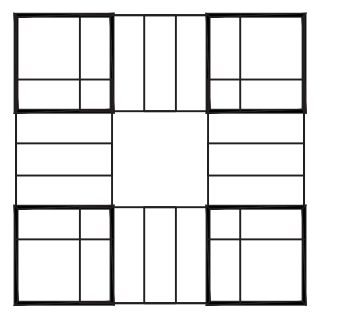
JOHNSON, LEVINSON  
 RAGAN, DAVILA, INC.  
 CONSULTING ENGINEERS  
 1100 Connaught Boulevard, Suite 100  
 West Palm Beach, Florida 33411  
 (561) 689-2323 (Tel) (561) 689-2322 Fax  
 www.jlr.com  
 Certification Number 06599  
 Michael P. Linden, P.E. #98094  
 Charles C. Gableman, P.E. #91936



**F.B.C.**  
 R.G. KREUBLER PARK  
 RESTROOM BUILDING  
 AND ENTRY DRIVE  
 MODIFICATIONS  
 PBC NO 14204  
 2006 SOUTH OCEAN BLVD.

LAKE WORTH  
 FLORIDA

PROJECT NO.  
 201402  
 JLRD NO.  
 115042



**SHEET TITLE:**  
 SCHEDULE,  
 LEGEND AND  
 DETAILS

**REVISIONS:**

DATE  
 11/20/15  
 DRAWN BY:  
 JDY  
 CHECKED BY:  
 CCG

**SHEET NUMBER:**