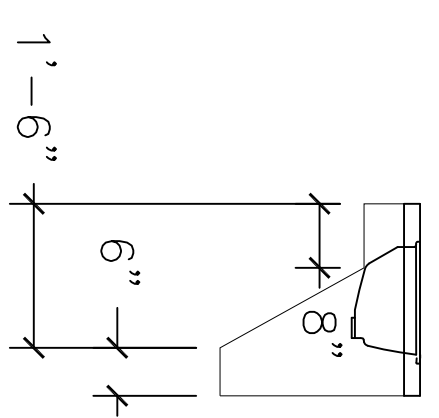
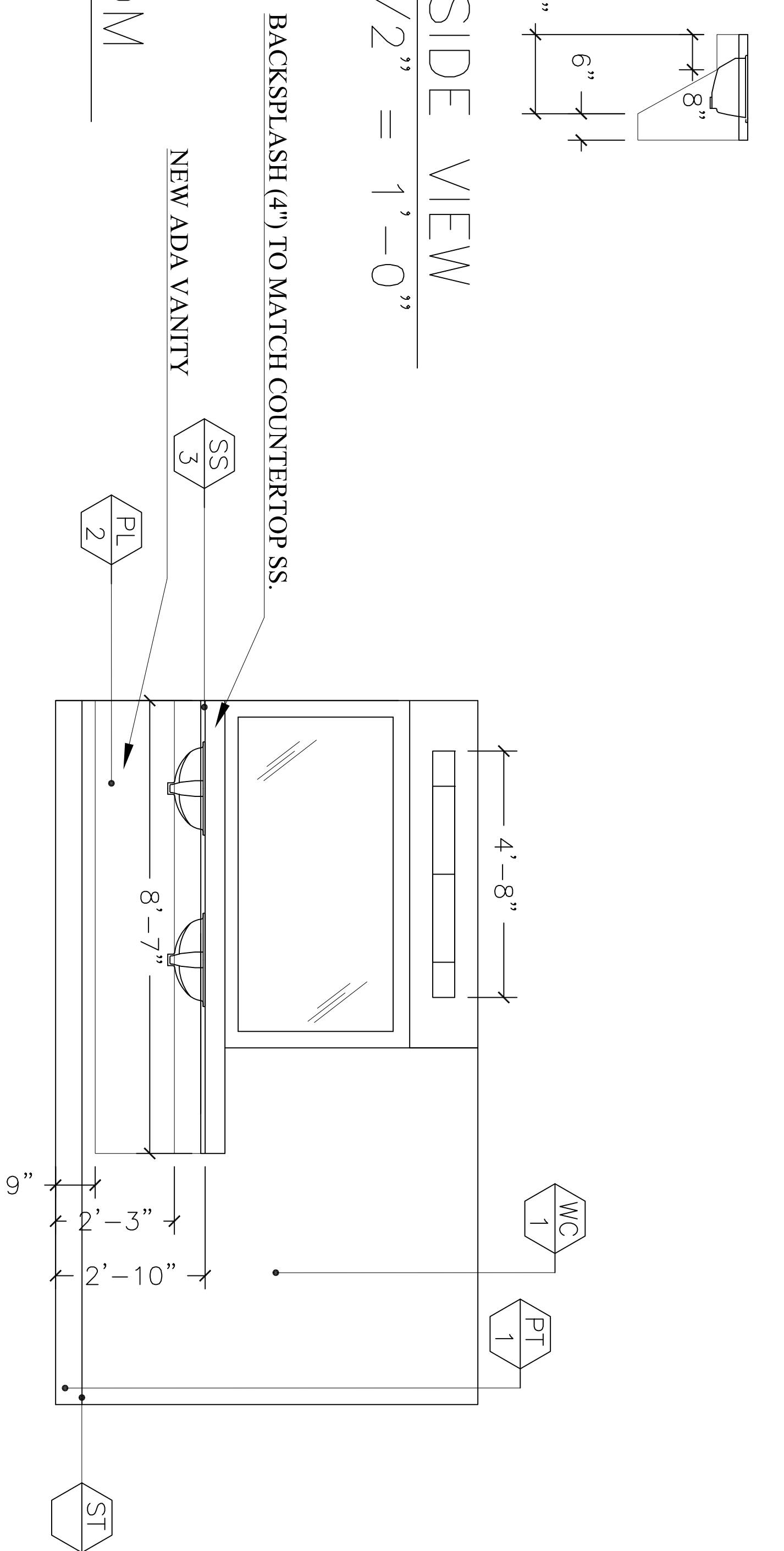


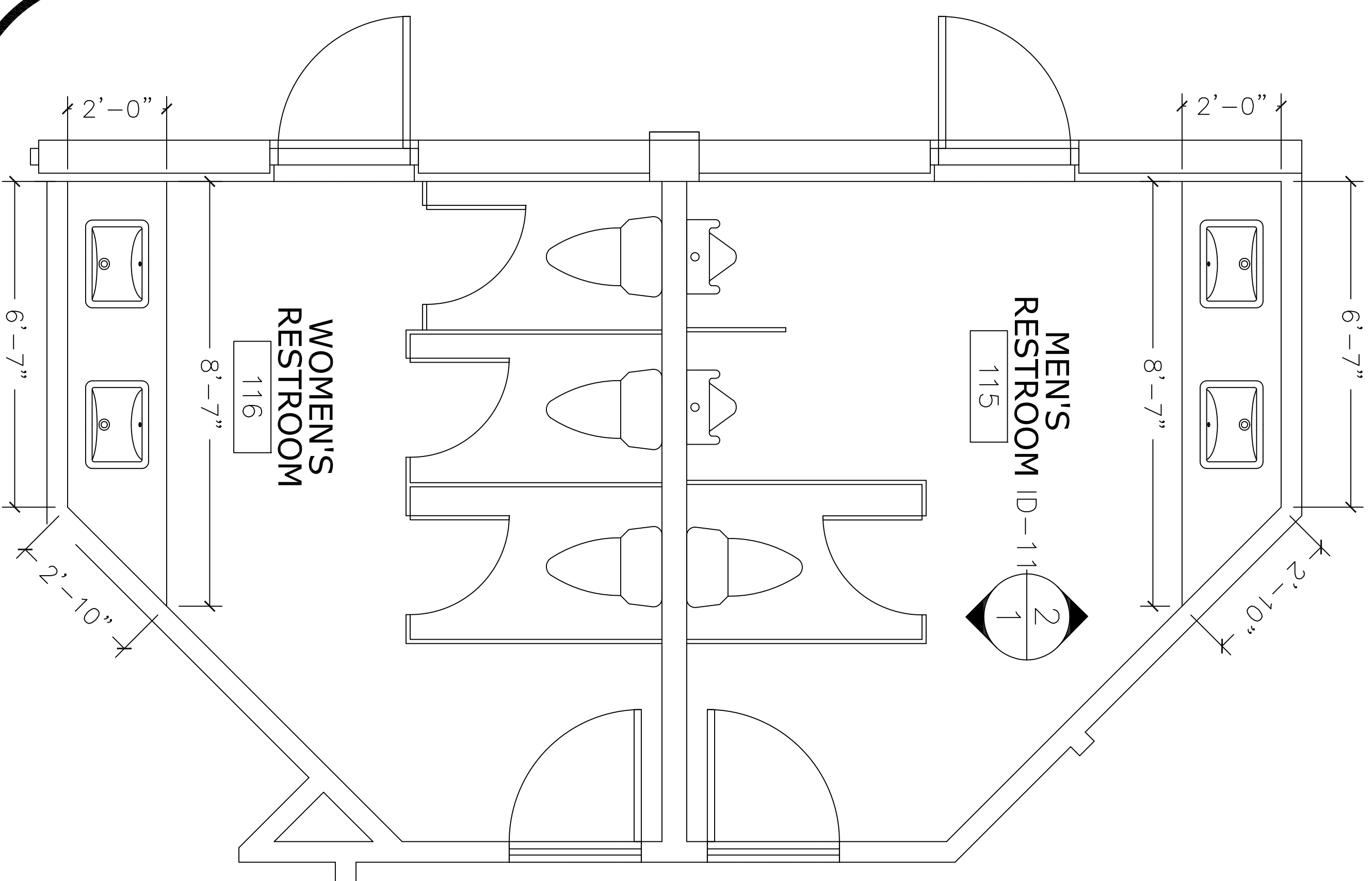
1 URINALS ELEVATION – MEN'S RESTROOM  
SCALE: 1/2" = 1'-0"



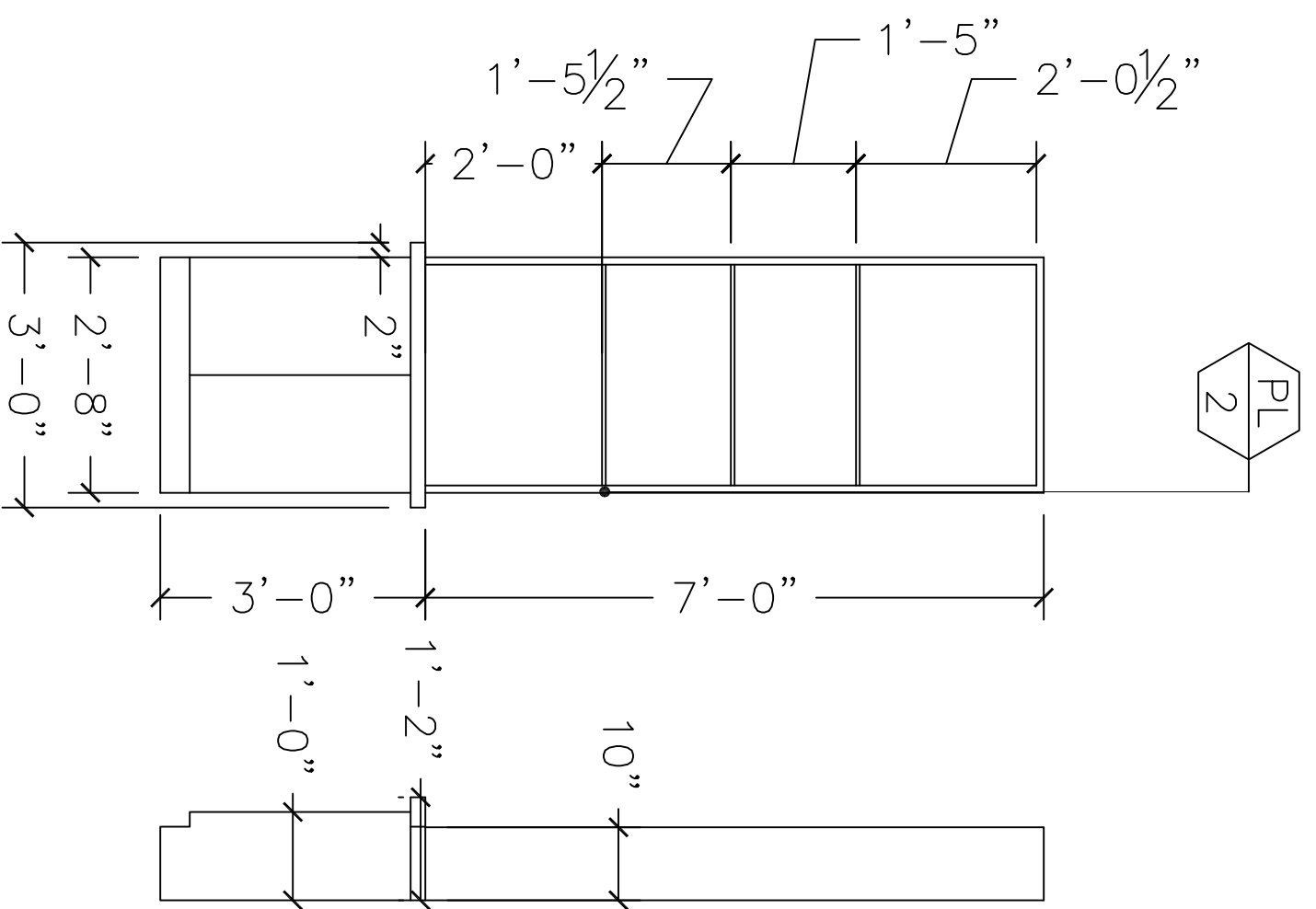
VANITY SIDE VIEW  
SCALE: 1/2" = 1'-0"



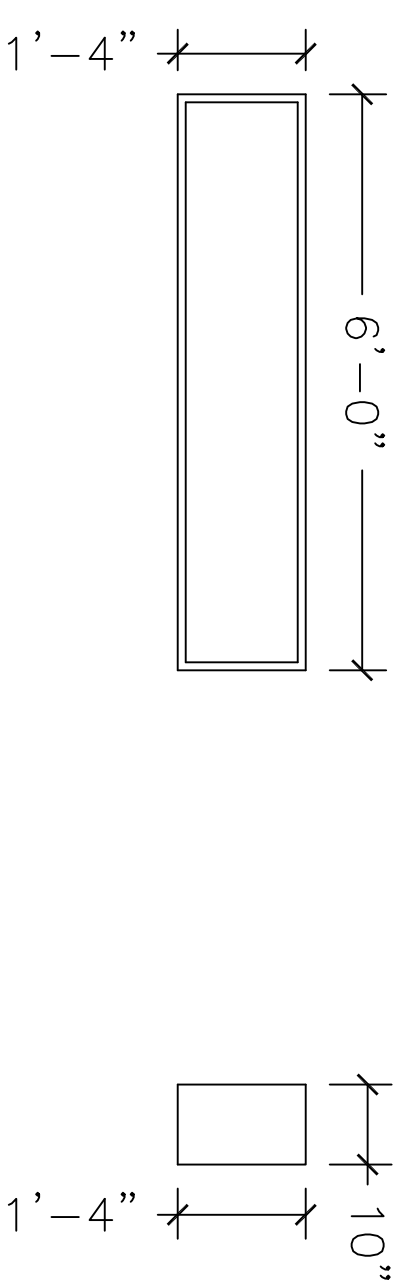
2 VANITY ELEVATION – MEN'S AND WOMEN'S RESTROOM  
SCALE: 1/2" = 1'-0"



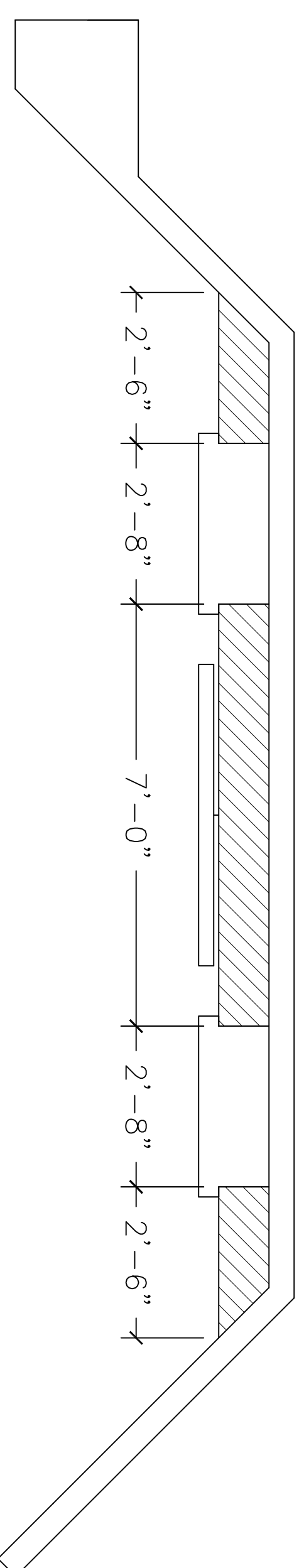
BUILT IN WALL UNIT – MEETING ROOM  
SCALE: 1/2" = 1'-0"



BUILT IN RECESSED NICHE – MEETING ROOM  
SCALE: 1/2" = 1'-0"



BUILT IN WALL UNIT FLOOR PLAN – MEETING ROOM  
SCALE: 1/2" = 1'-0"



**WELLS DESIGN GROUP**  
INTERIOR DESIGN & SPACE PLANNING  
551 N.W. 77TH STREET  
SUITE 107  
BOCA RATON, FL 33487  
TEL.: 561-998-4851 FAX: 561-998-4841  
FL LIC #ID 0001324 IB# 26000555

Title Page:  
**MEN'S AND WOMAN'S RESTROOMS ELEVATIONS**  
**BUILT IN WALL UNIT ELEVATIONS – MEETING ROOM**  
Project Name:  
WOOD FIELD HUNT CLUB  
Project Address:  
4420 WOODFIELD BOULEVARD  
BOCA RATON, FLORIDA 33434

No.	Revision/Issue	Date

Project #1510  
Date 7/21/2016  
Scale 1/2" = 1'-0"  
Sheet **ID-11**