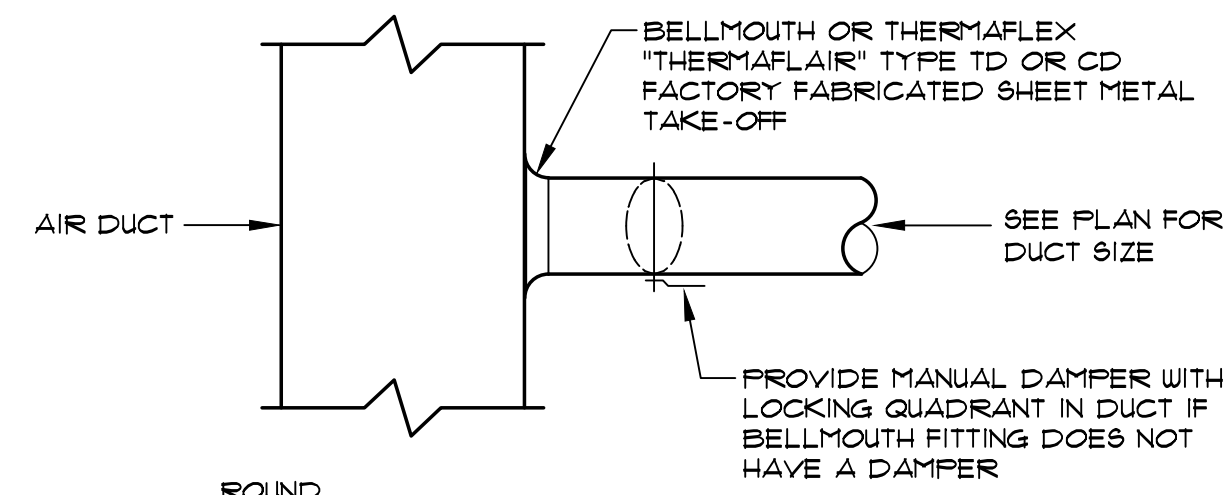
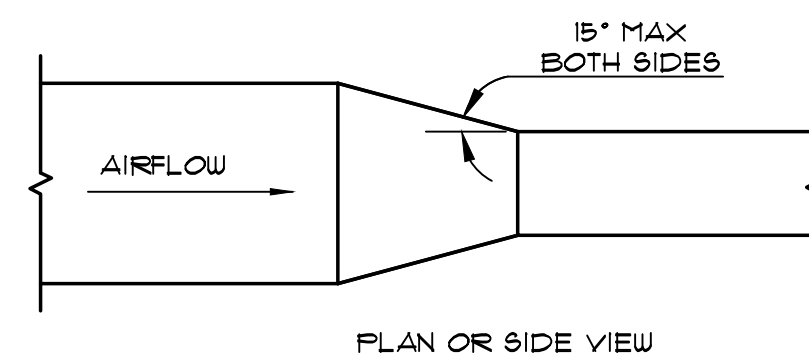


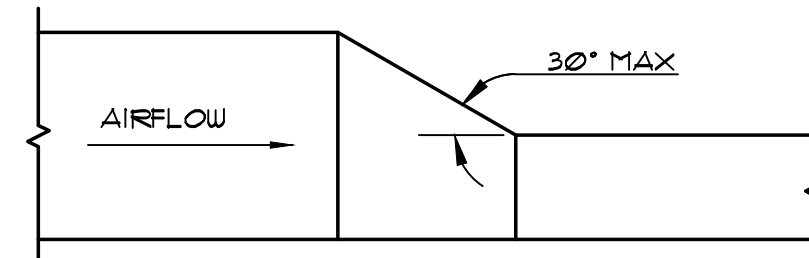
RECTANGULAR



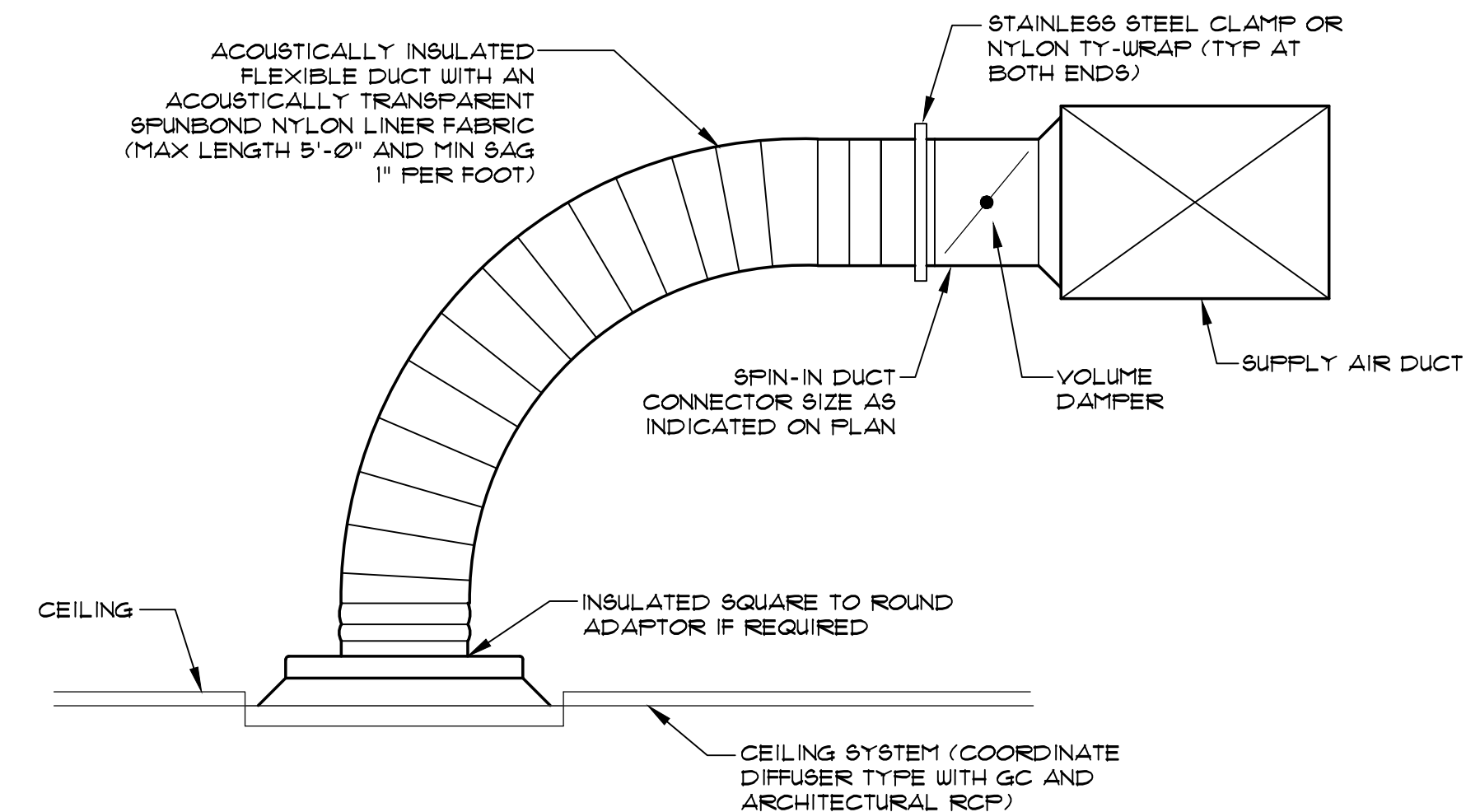
ROUND



PLAN OR SIDE VIEW



PLAN OR SIDE VIEW



NOTES:

1. USE WORM DRIVE CLAMPS OR DRAW BANDS FOR CONNECTING FLEXIBLE AIR DUCT TO DIFFUSER AND BRANCH DUCT. SPLICES IN FLEXIBLE AIR DUCT SHALL NOT BE ALLOWED.

A TYPICAL BRANCH DUCT TAKE-OFF

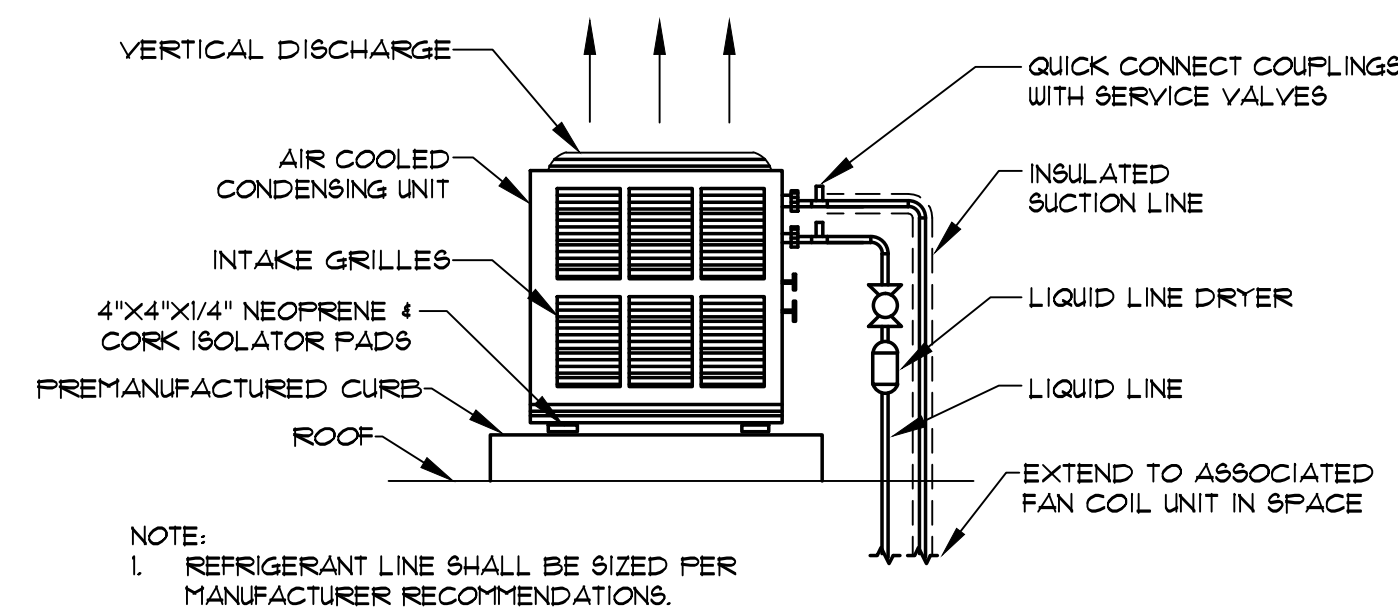
MP0.4 NTS

B DUCT TRANSITION

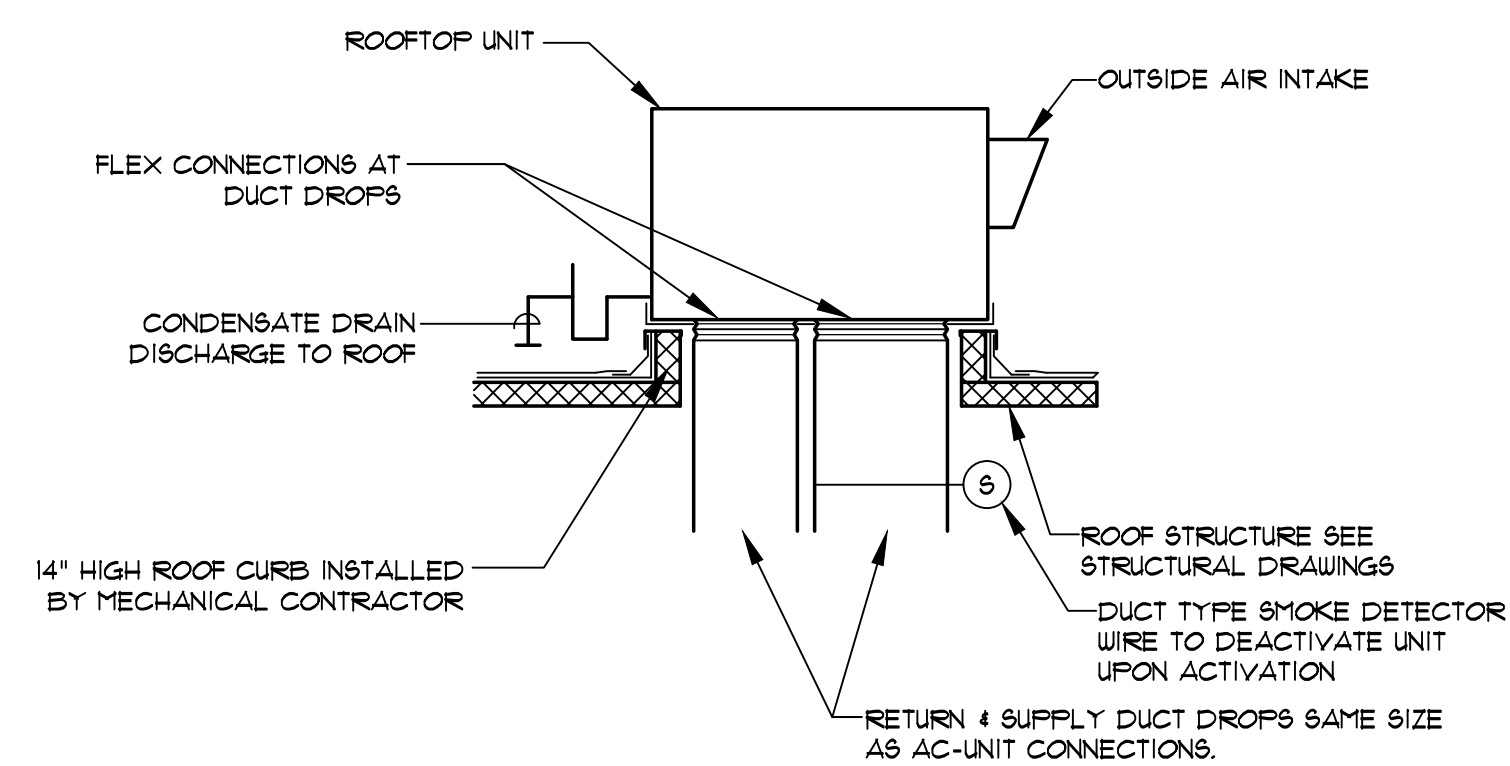
MP0.4 NTS

C CEILING DIFFUSER WITH FLEX DUCT

MP0.4 NTS

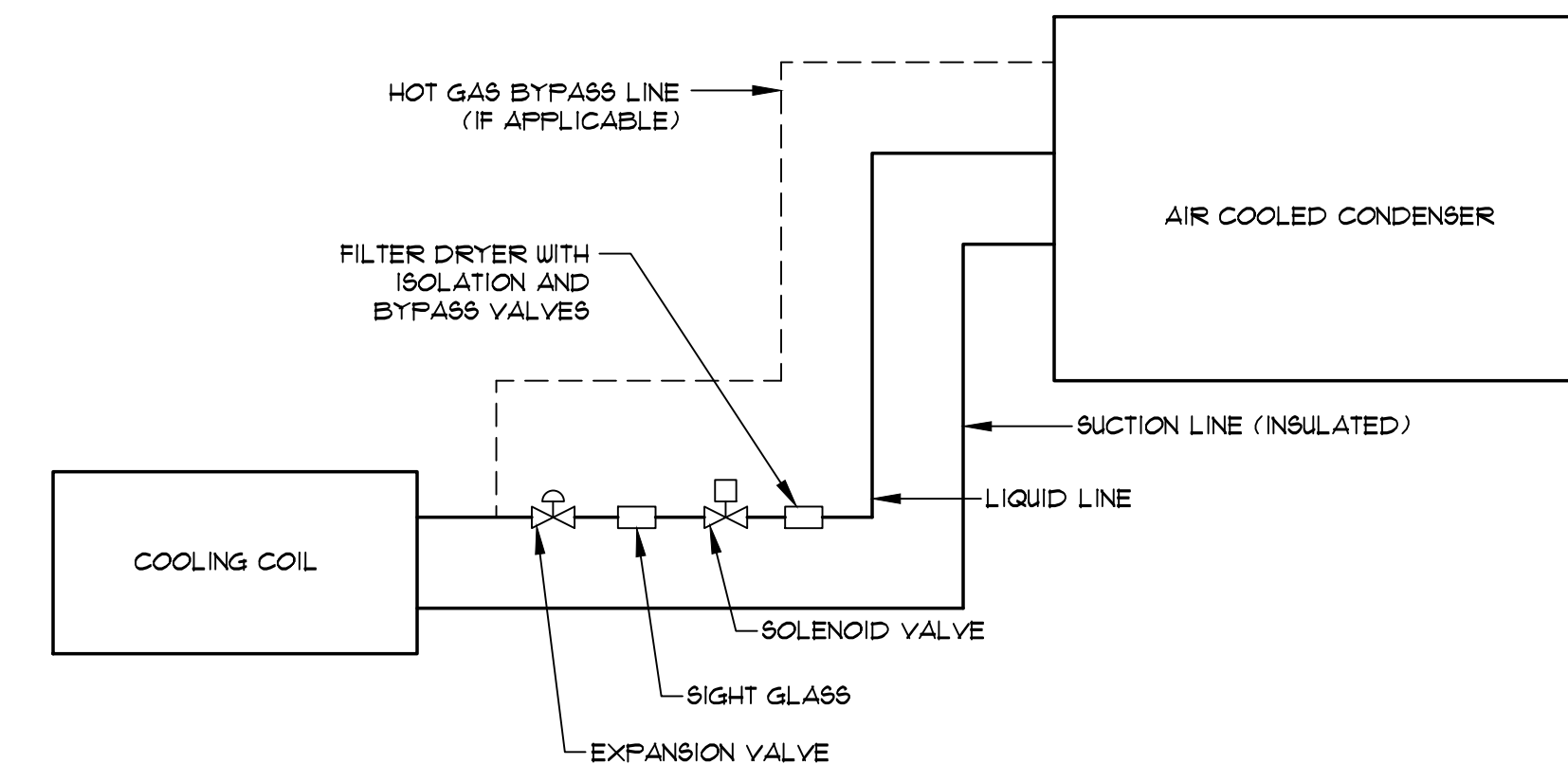


NOTE:
1. REFRIGERANT LINE SHALL BE SIZED PER MANUFACTURER RECOMMENDATIONS.



E ROOFTOP AIR CONDITIONING UNIT

MP0.4 NTS



NOTES:

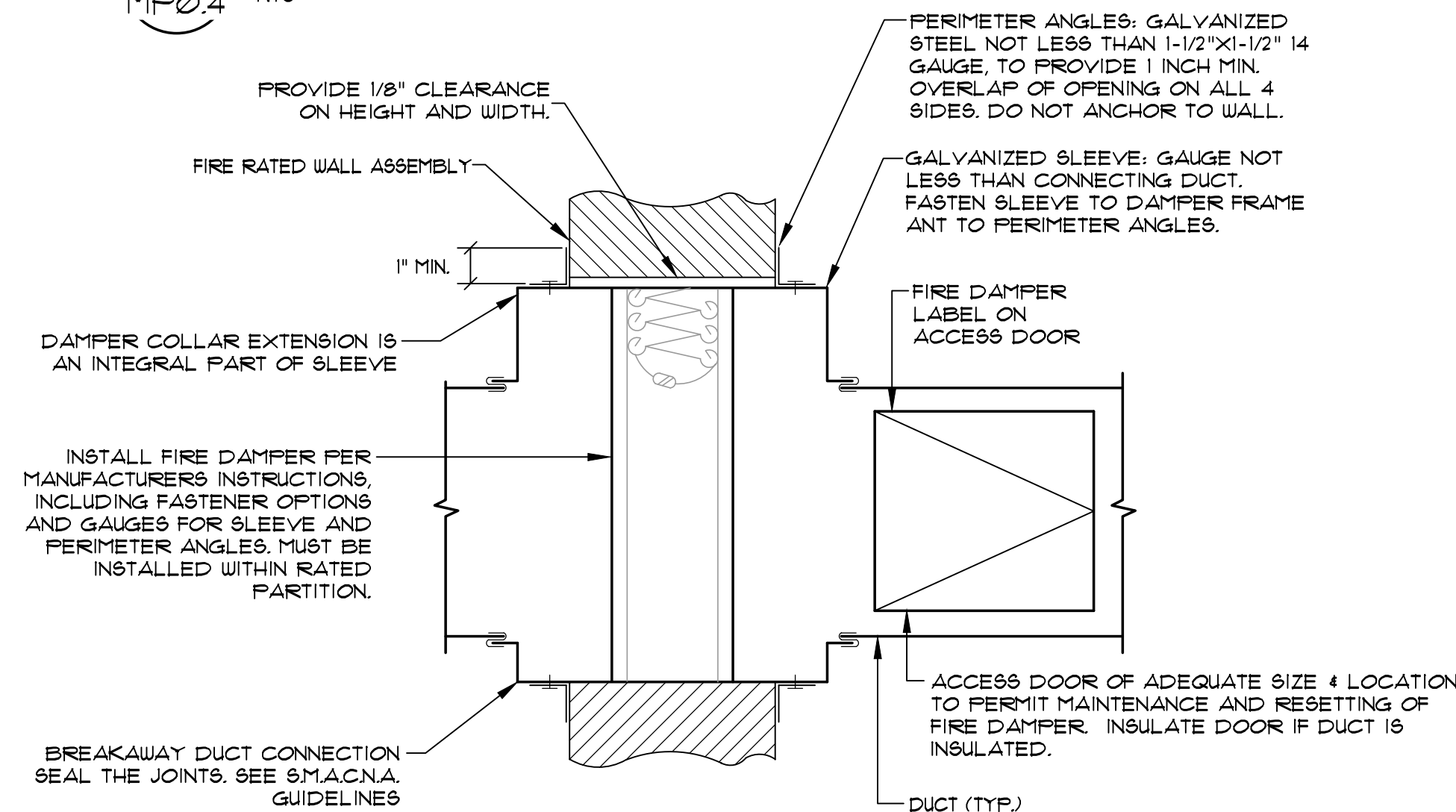
1. ALL PIPING, TRAPS AND CONTROL EQUIPMENT SHALL BE SIZED AS REQUIRED BY MANUFACTURER.

D ROOF MOUNTED CONDENSING UNIT

MP0.4 NTS

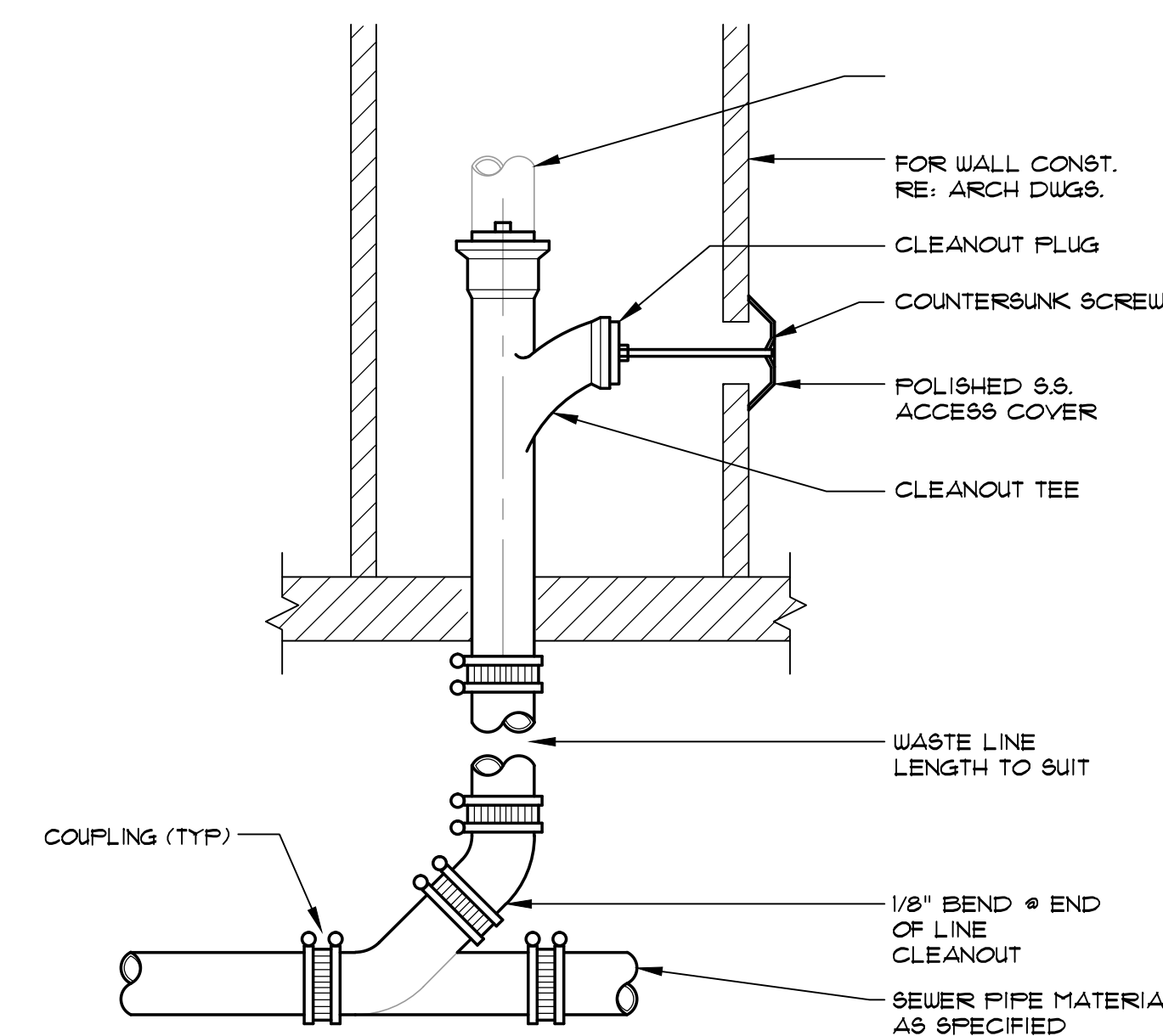
F SPLIT SYSTEM DX PIPING

MP0.4 NTS



NOTES:

1. DAMPER SHALL BE CONSTRUCTED, TESTED & INSTALLED IN ACCORDANCE WITH U.L. STANDARD 555.
2. ALL DAMPER BLADES SHALL BE LOCATED OUT OF AIR STREAM (TYPE 3A, 3B, T, B). IF MULTIPLE DAMPERS ARE REQUIRED TYPE 2 MAY BE USED.
3. PROVIDE SPRING LOADED CLOSURE FOR ALL FIRE DAMPERS.

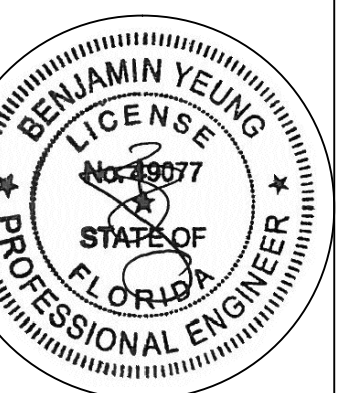


H WALL CLEANOUT

MP0.4 NTS

G FIRE DAMPER

MP0.4 NTS



AUG. 02, 2016
 COPYRIGHT © 2016 ACKAL ARCHITECTS, APC.
 THIS DOCUMENT IS THE PROPERTY OF
 ACKAL ARCHITECTS, APC.
 THIS DOCUMENT MAY NOT BE COPIED,
 REPRODUCED OR USED WITHOUT
 WRITTEN CONSENT FROM
 ACKAL ARCHITECTS, APC.

proj. no. 16-002
 date: 08-02-2016
 project architect: B.A.
 project manager: A.D.
 drawn by: MSA
 file name: LAKEWORTH
 revised:
 plot scale: AS NOTED
 sheet name:
 MECHANICAL AND
 PLUMBING DIAGRAMS

sheet no.
 MPO.4

MSA #16023

370 E. Windmill Lane, Suite 100
 Las Vegas, NV, 89123
 T: (702) 896-1100
 msa-lv.com