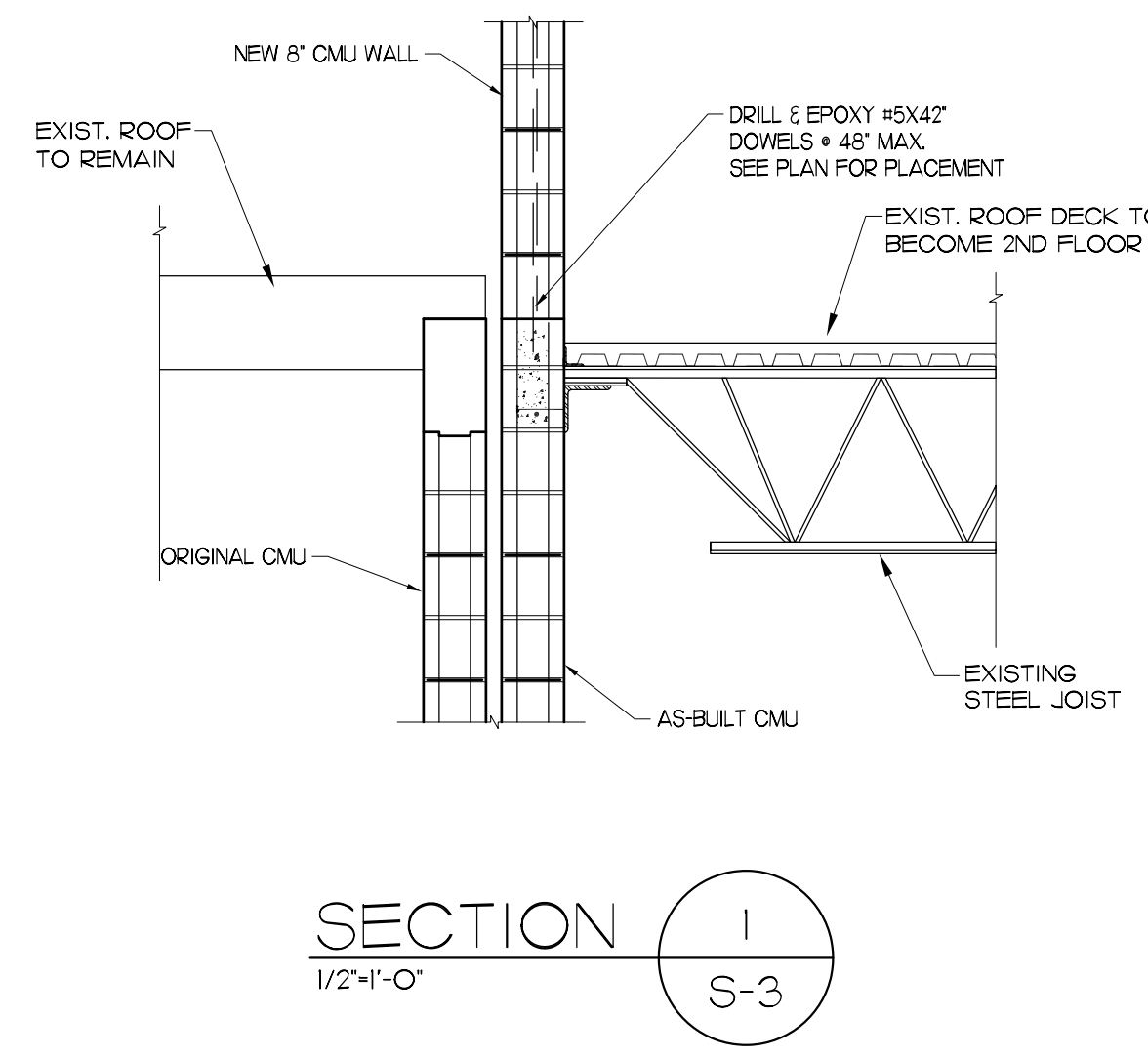


MEMBER
FLORIDA INSTITUTE OF
ARCHITECTS
AA22001907

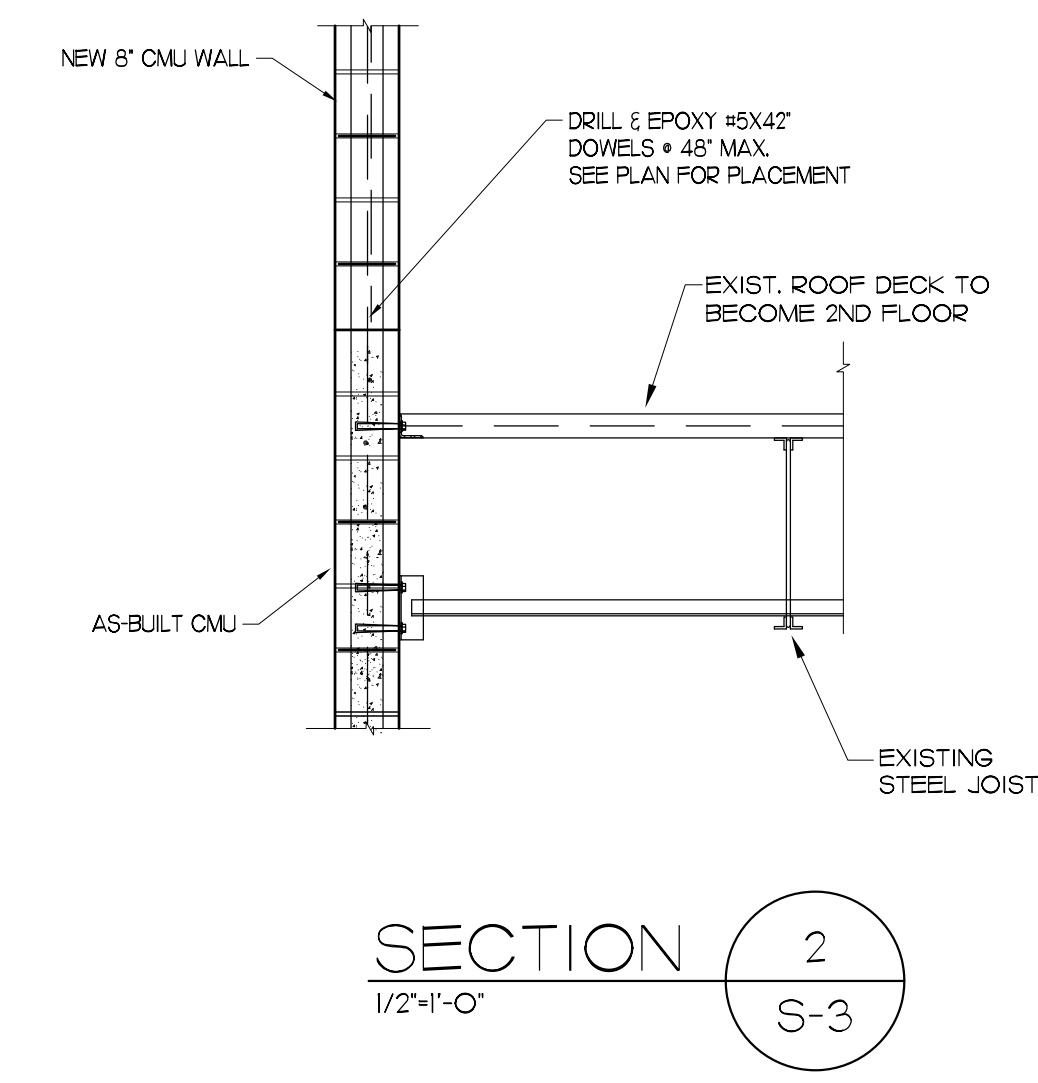
DeMello
ARCHITECTURE

911 Southwest 18 Street, Boca Raton, Florida 33486
954 671 0203 Fax 954 418 0022

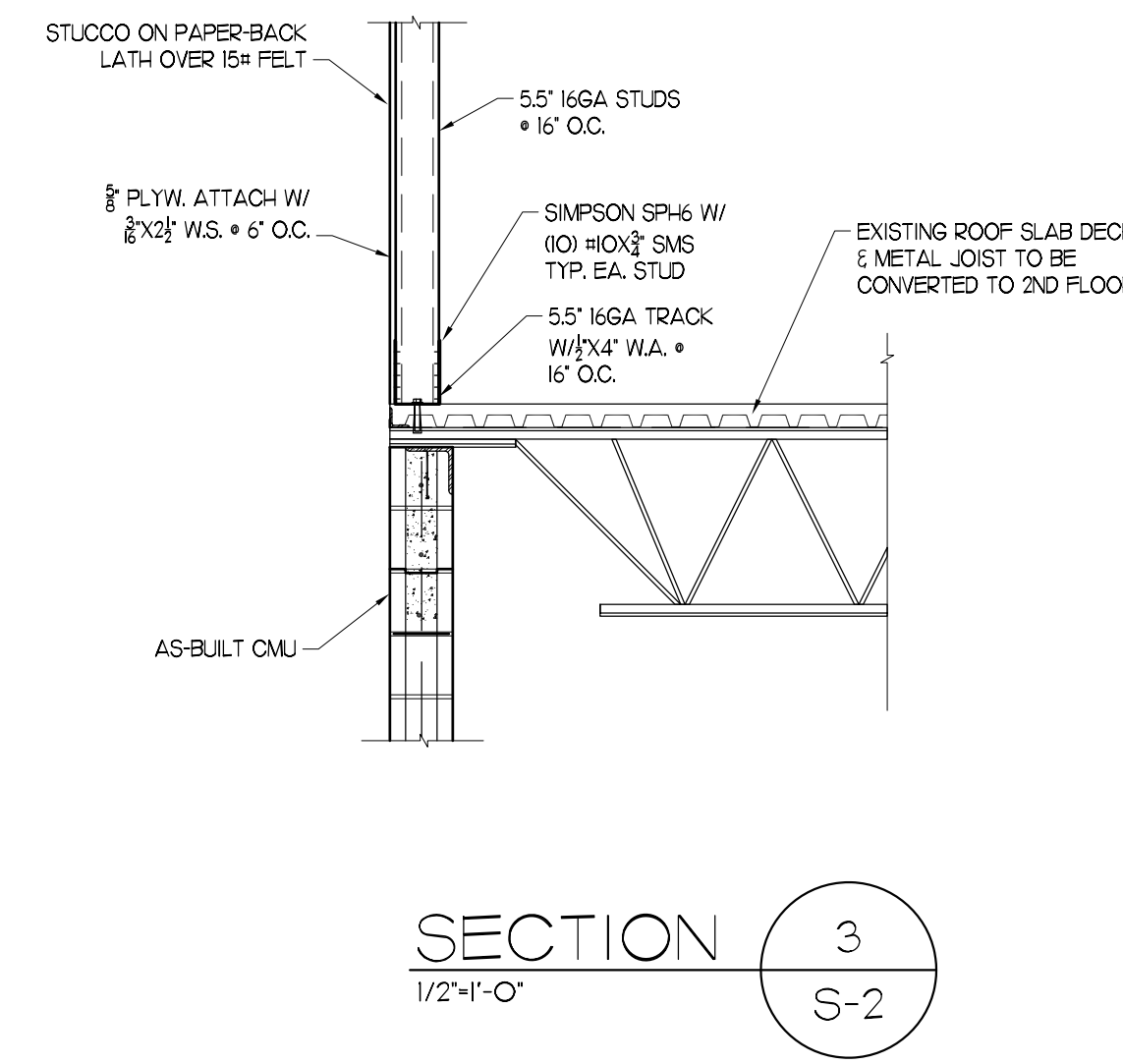
All ideas and designs indicated or represented by this drawing are the property of DeMello Architecture and shall not be used or disclosed for any purpose whatsoever without written permission of this office.



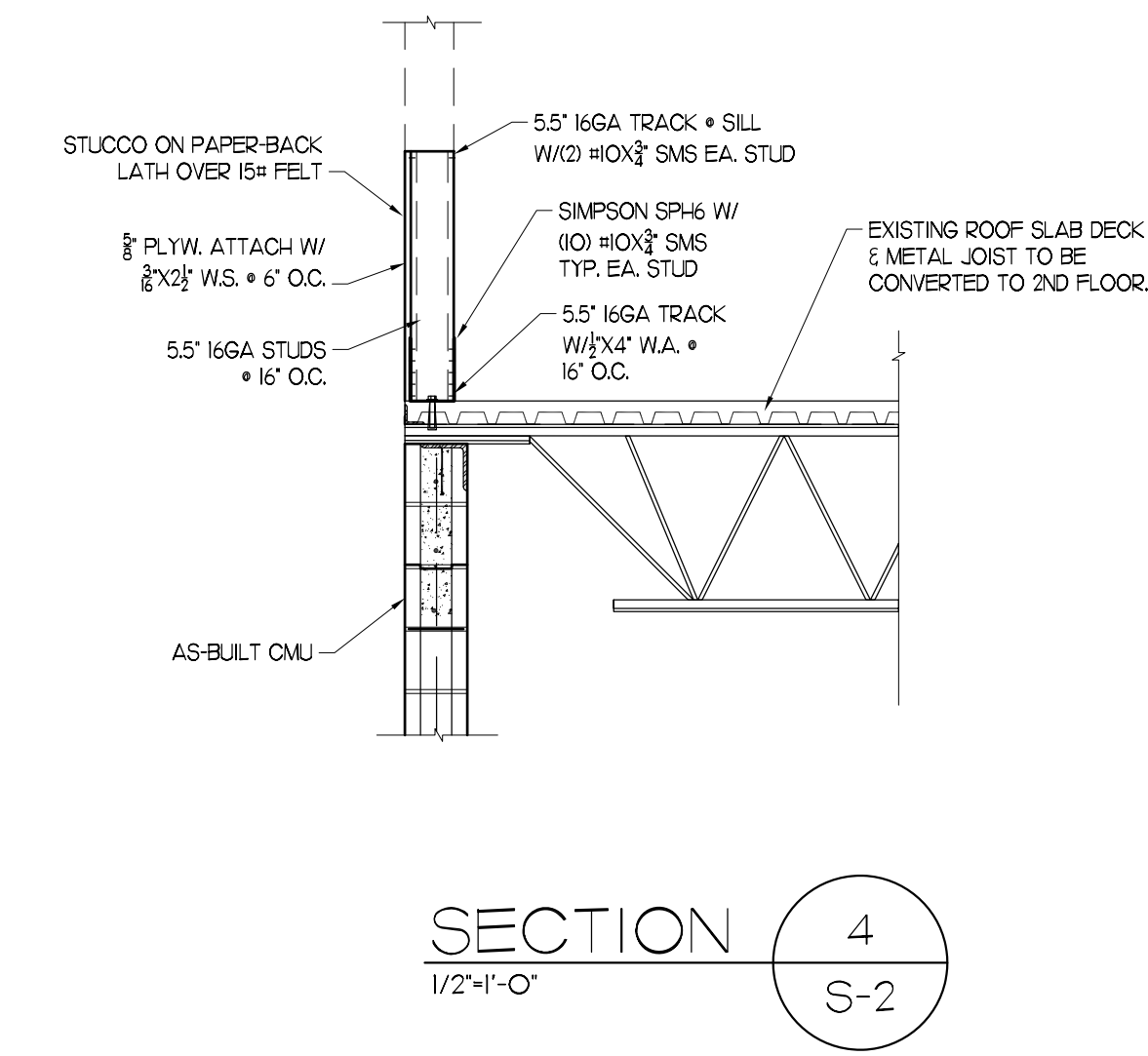
SECTION 1
1/2"-1'-0" S-3



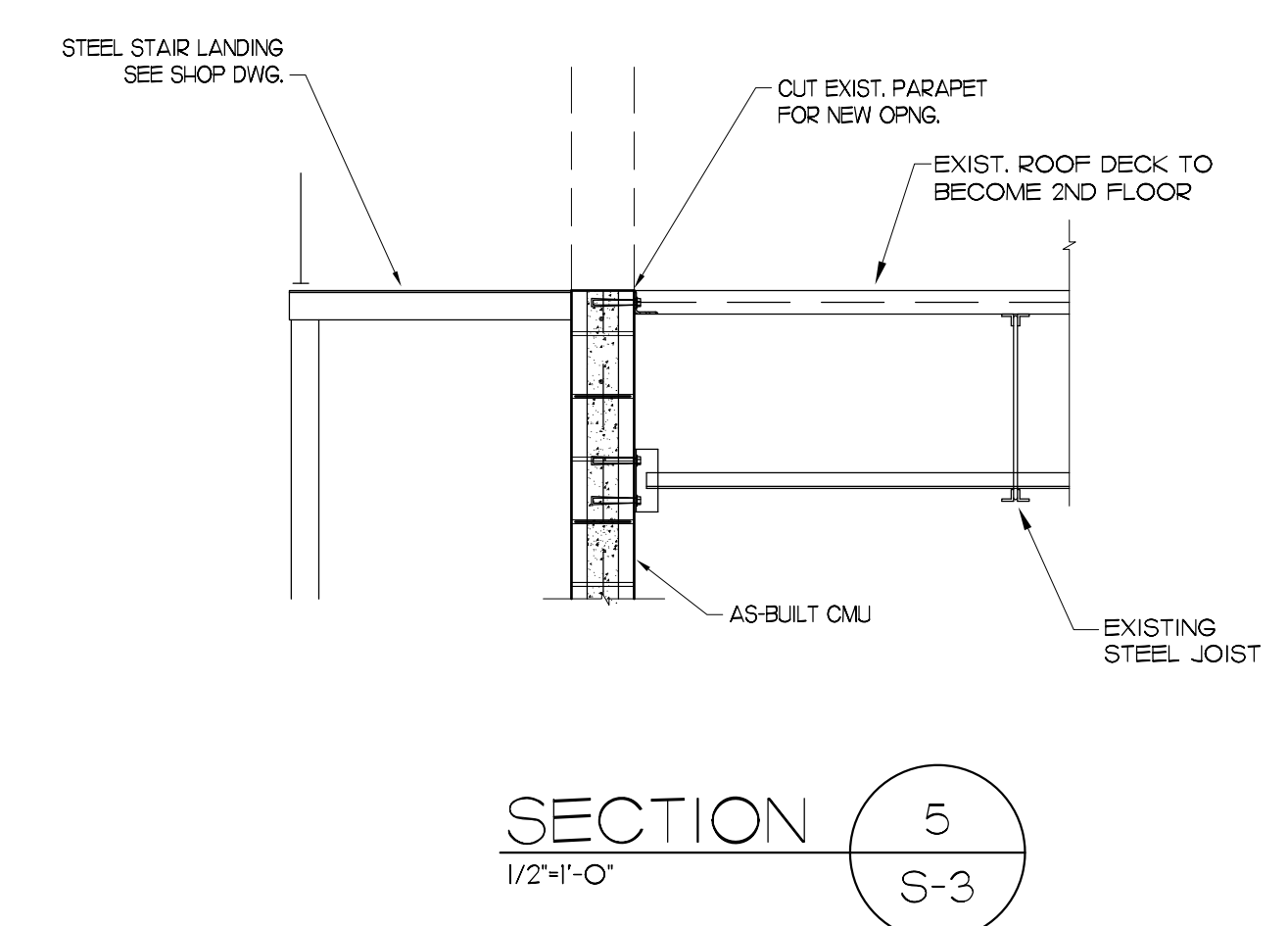
SECTION 2
1/2"-1'-0" S-3



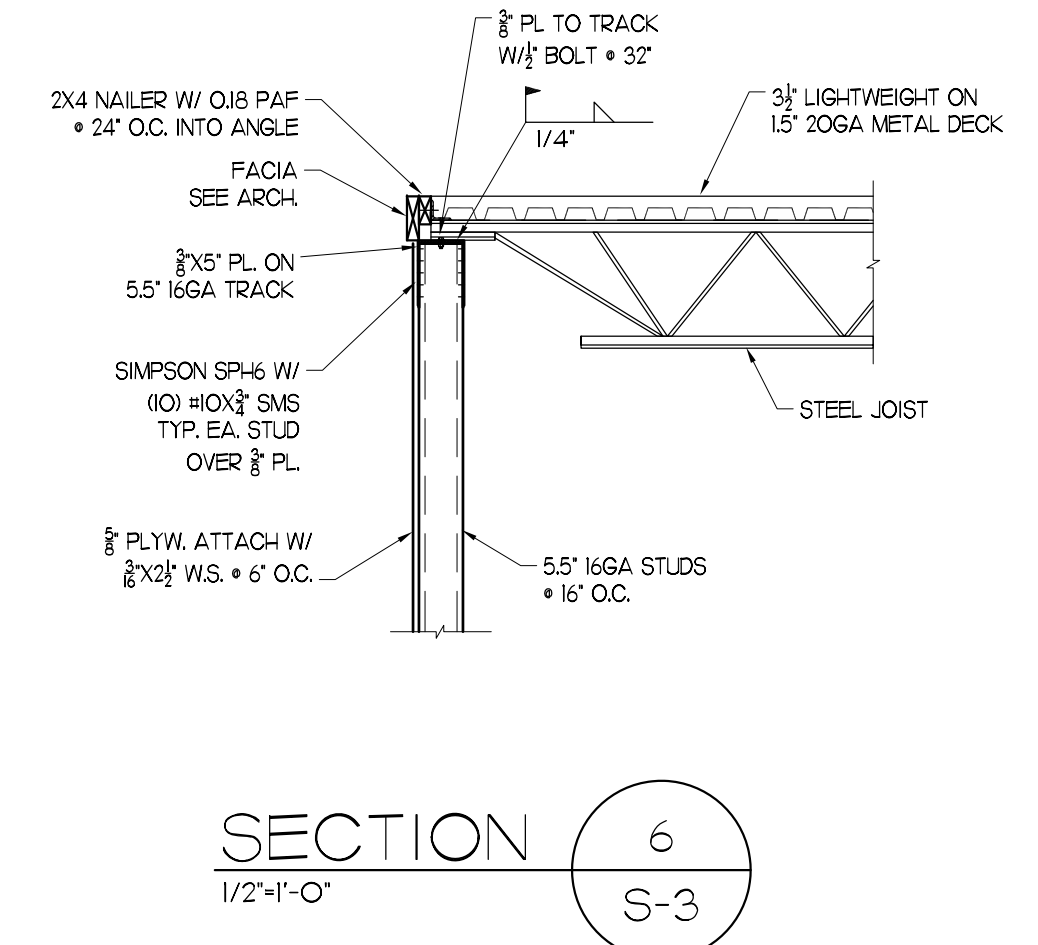
SECTION 3
1/2"-1'-0" S-2



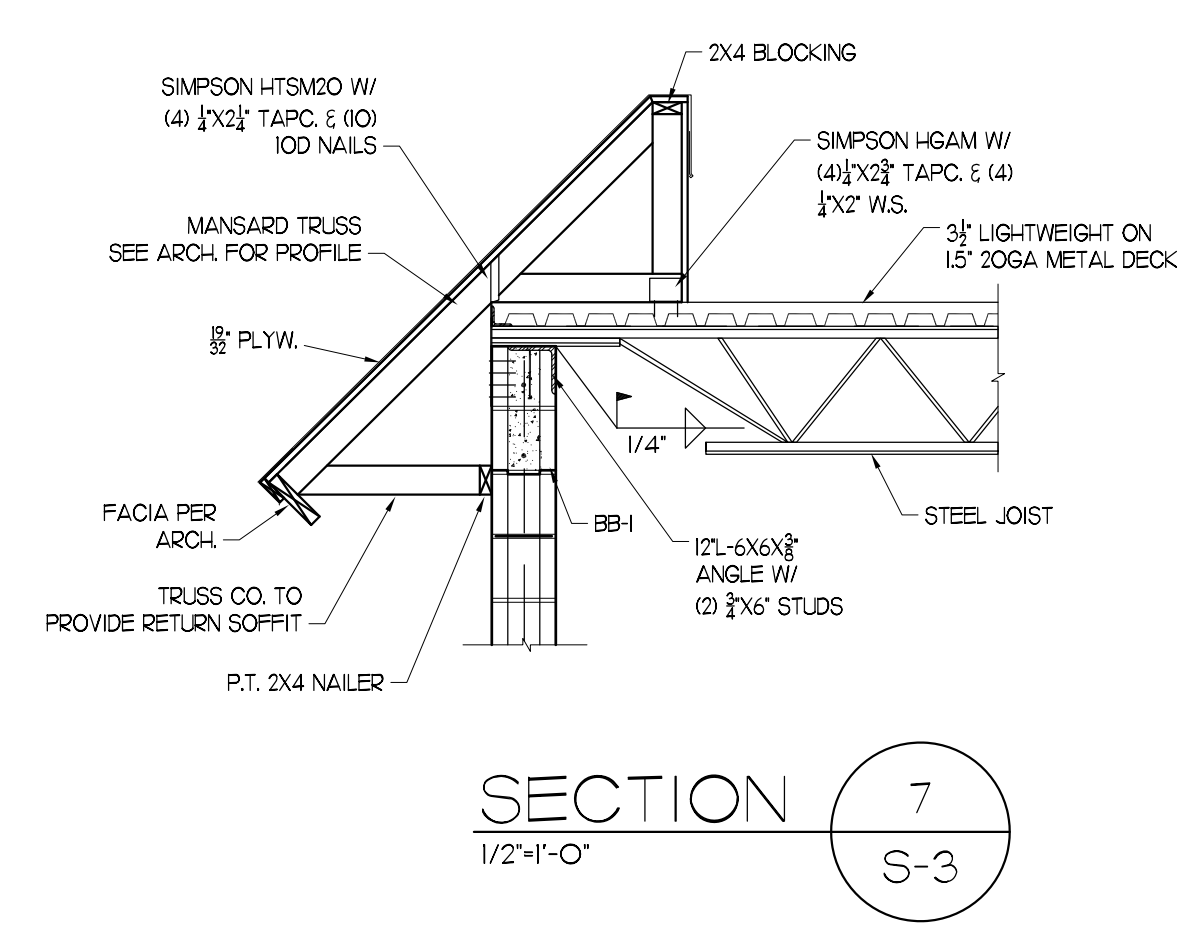
SECTION 4
1/2"-1'-0" S-2



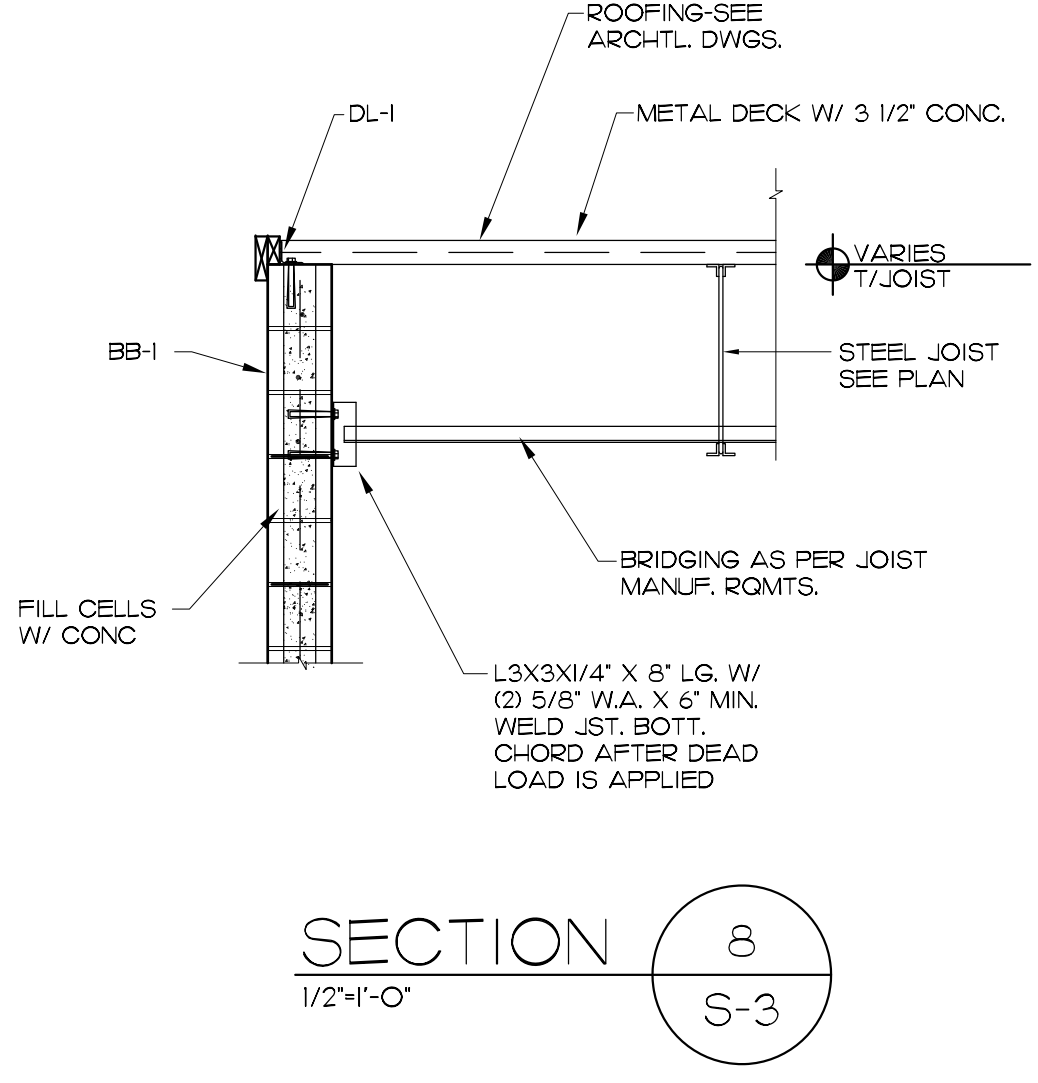
SECTION 5
1/2"-1'-0" S-3



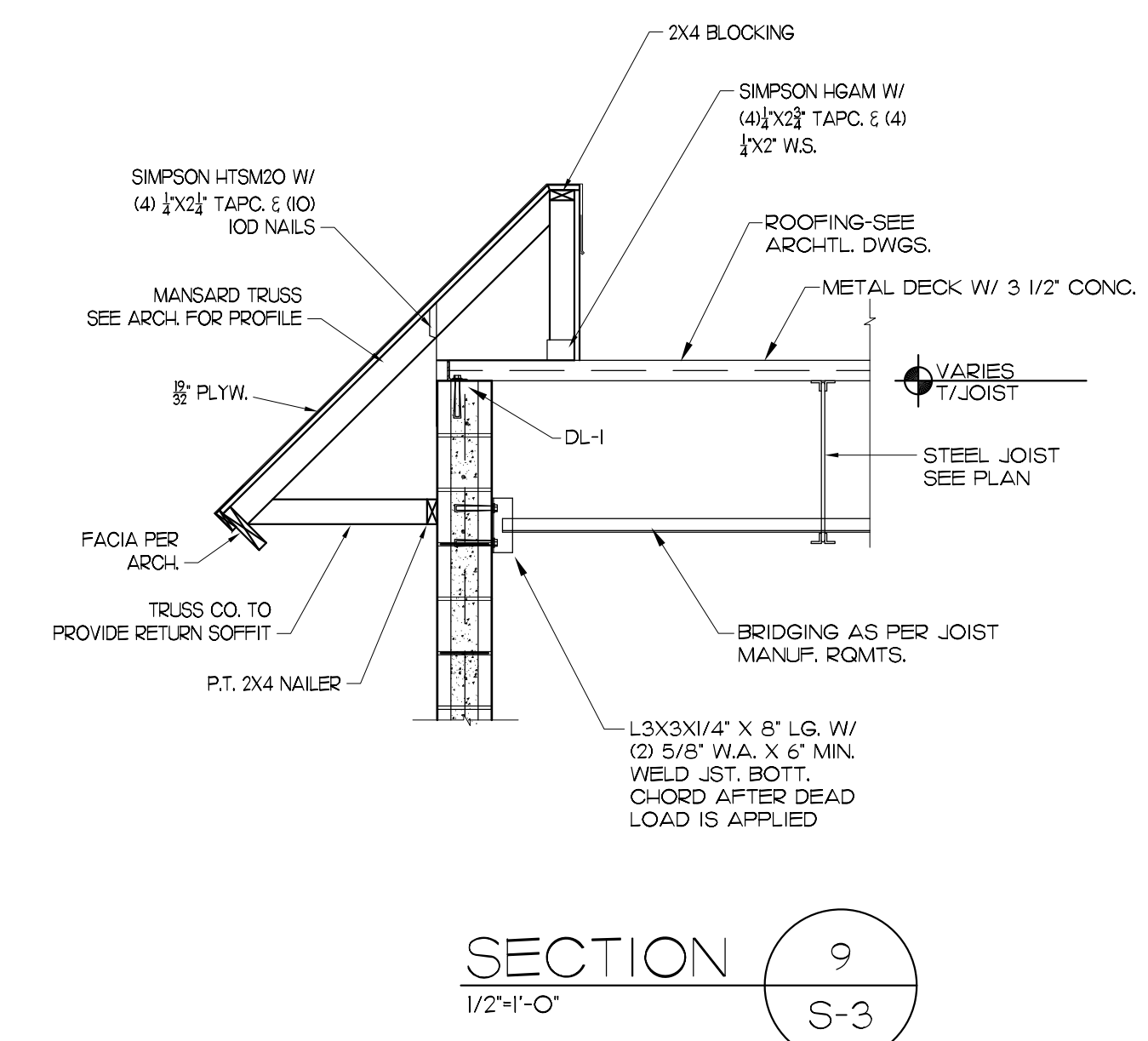
SECTION 6
1/2"-1'-0" S-3



SECTION 7
1/2"-1'-0" S-3



SECTION 8
1/2"-1'-0" S-3



SECTION 9
1/2"-1'-0" S-3

SECOND FLOOR ADDITION FOR
DIXIE DIVERS
455 U.S. HIGHWAY #1
DEERFIELD BEACH, FL.

revisions	
designed	H. DeMello
drawn	H. DeMello
date	AUG. 21, 2015
scale	AS SHOWN
project #	15138
sheet	

CA: 27632

R.E. ENGINEERING DESIGN CORP.
• STRUCTURAL •
CHRISTOPHER HANSON, PE #63407

1641 NW 115 Terrace
Pensacola, Florida Phone: (954) 817-4434
Fax: (954) 861-2905

S-3