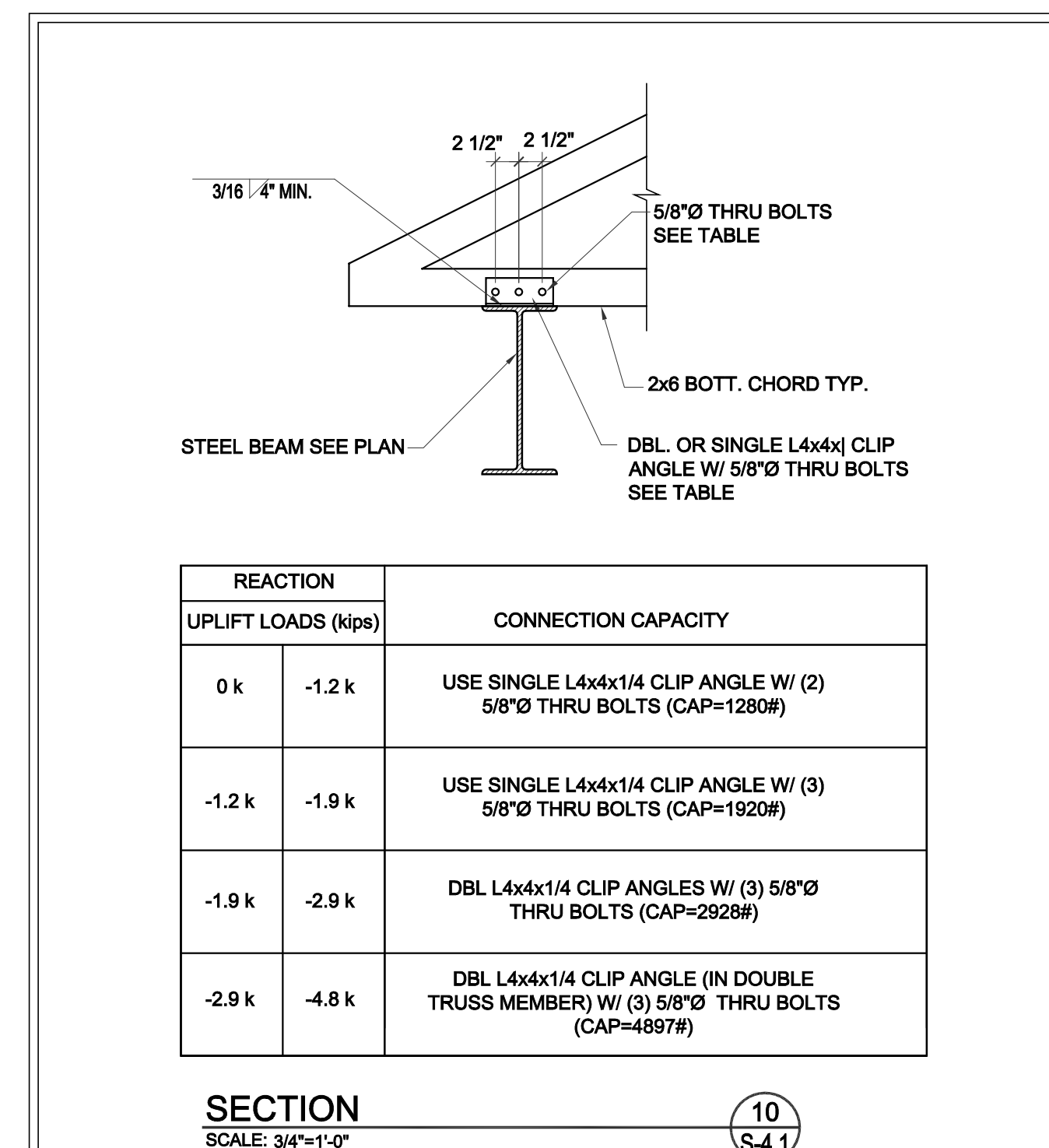
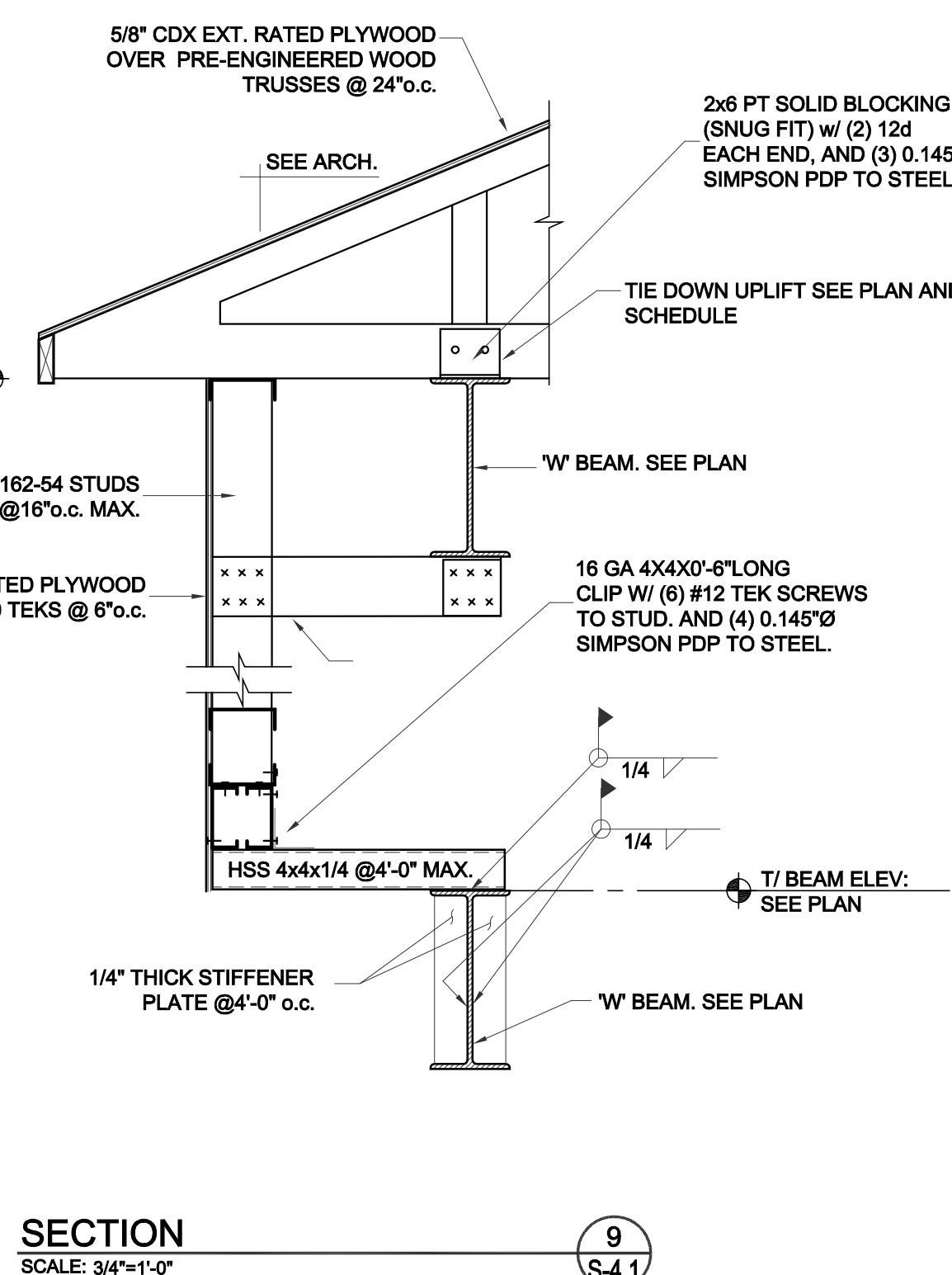
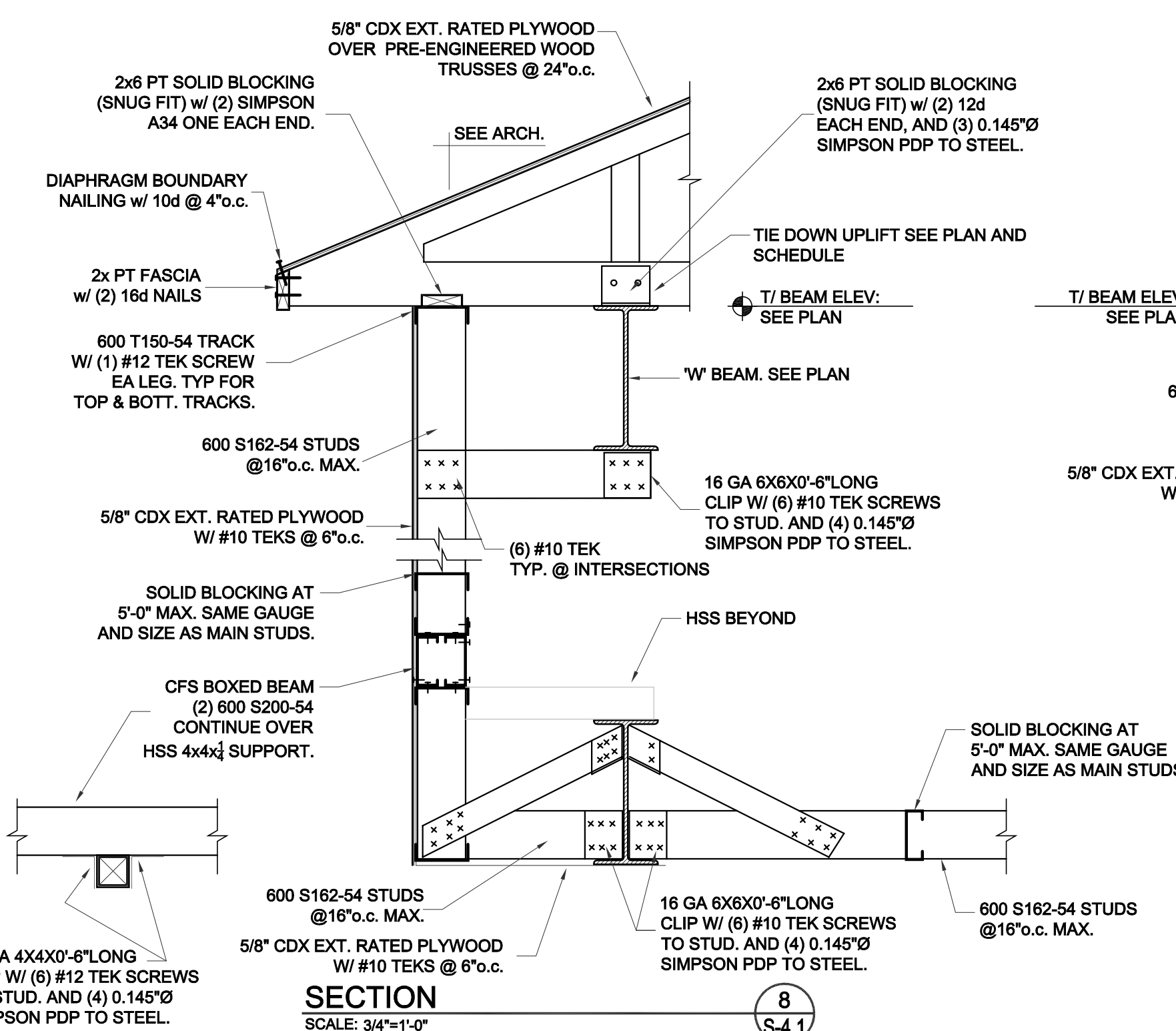
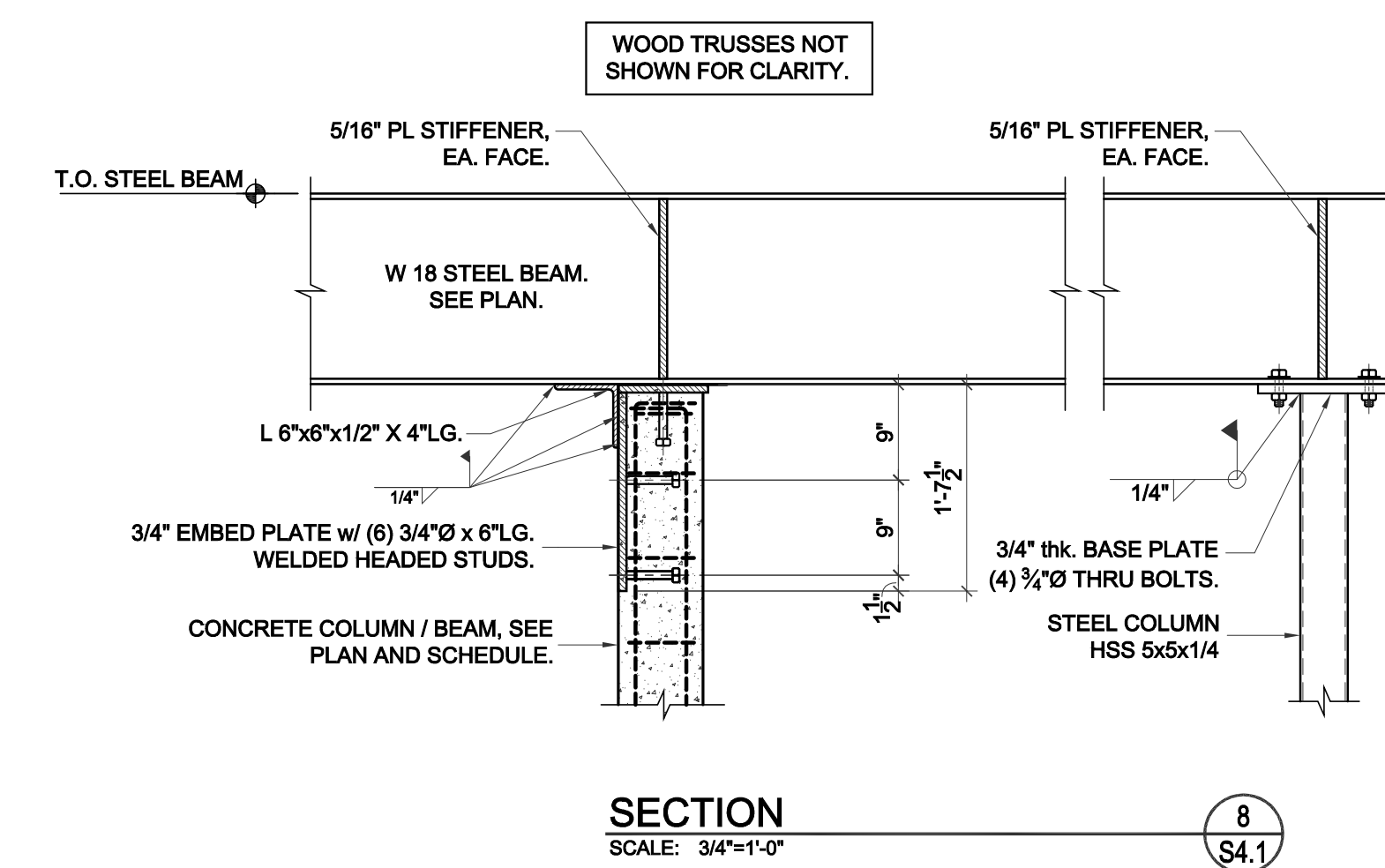
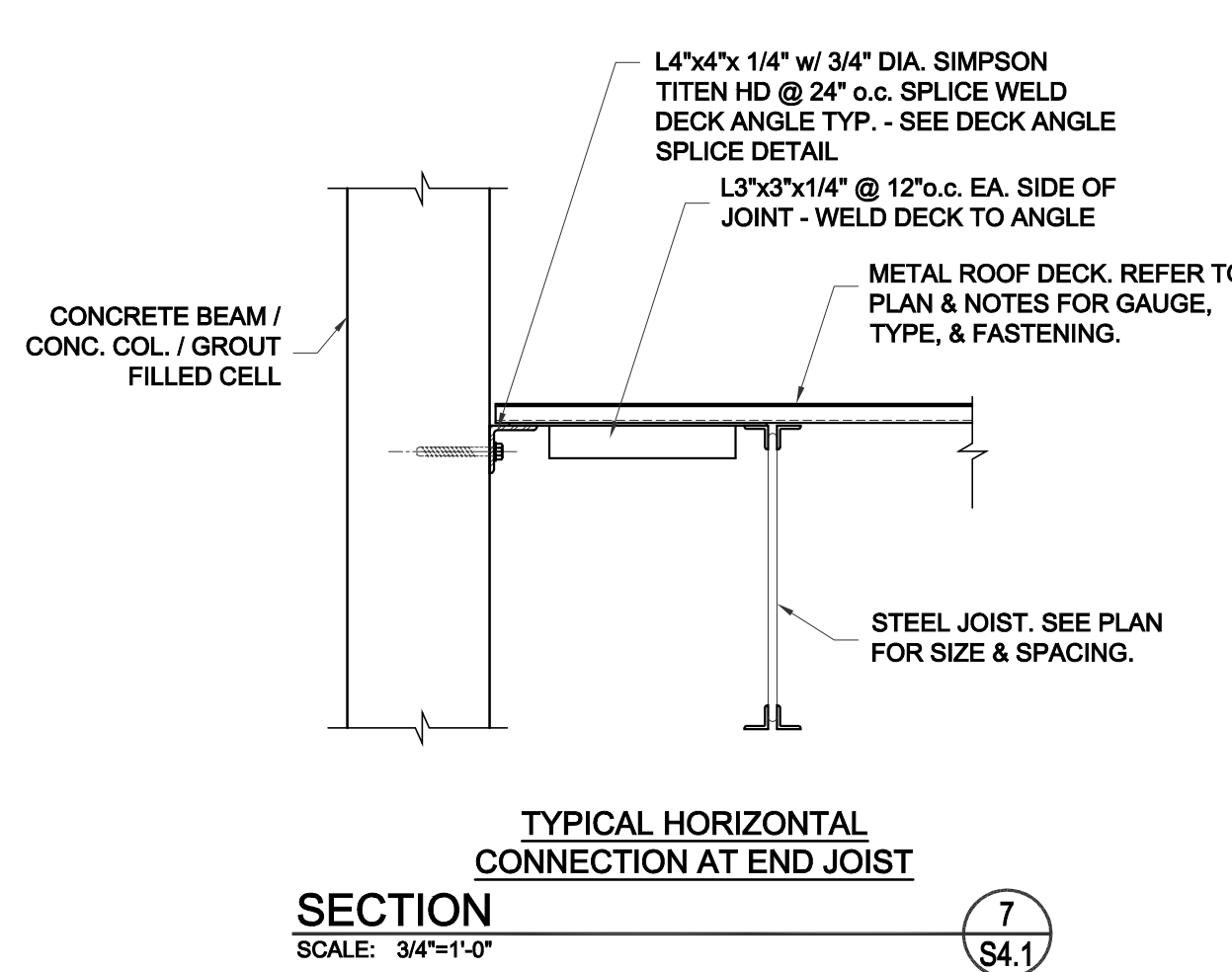
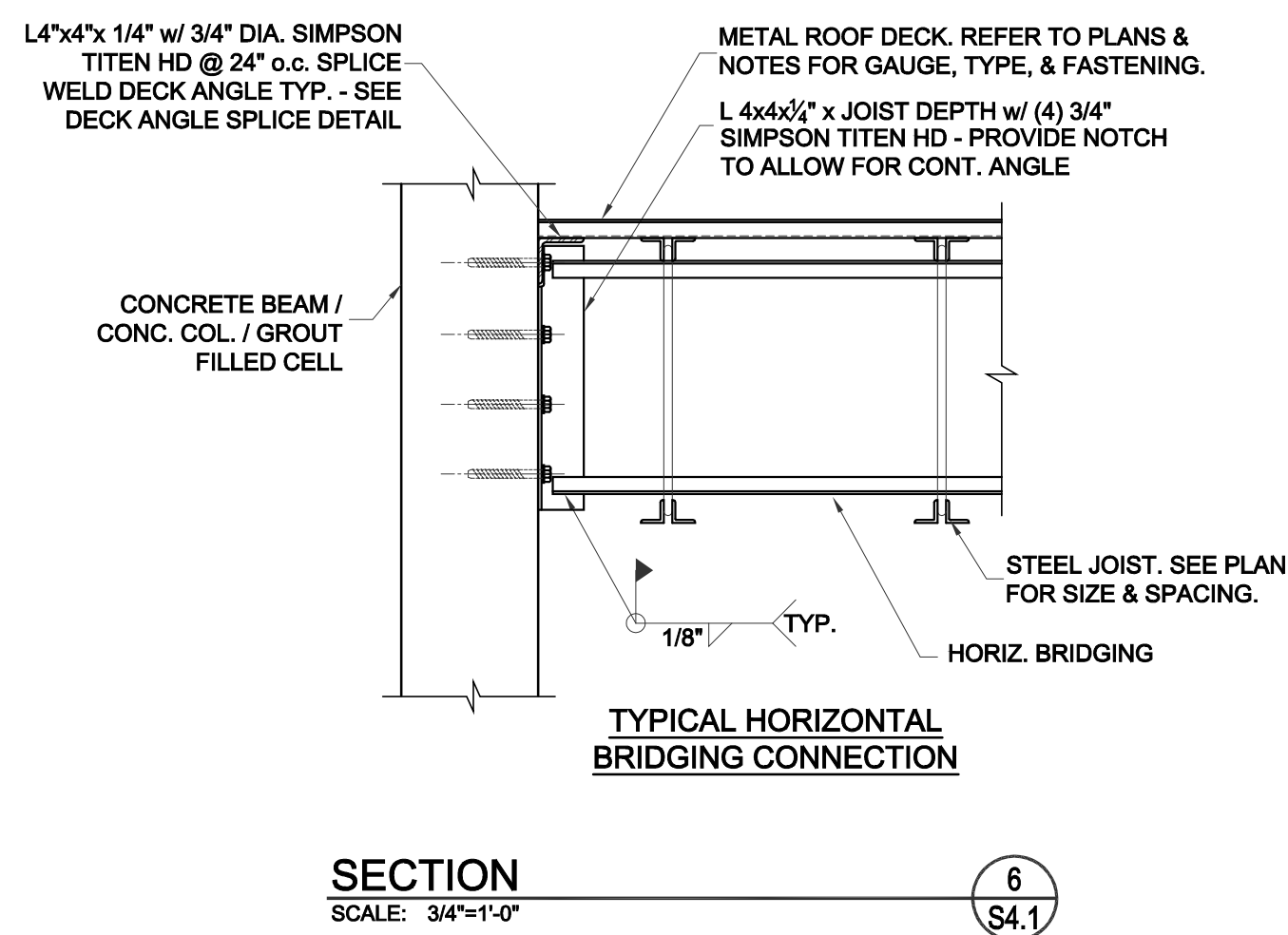
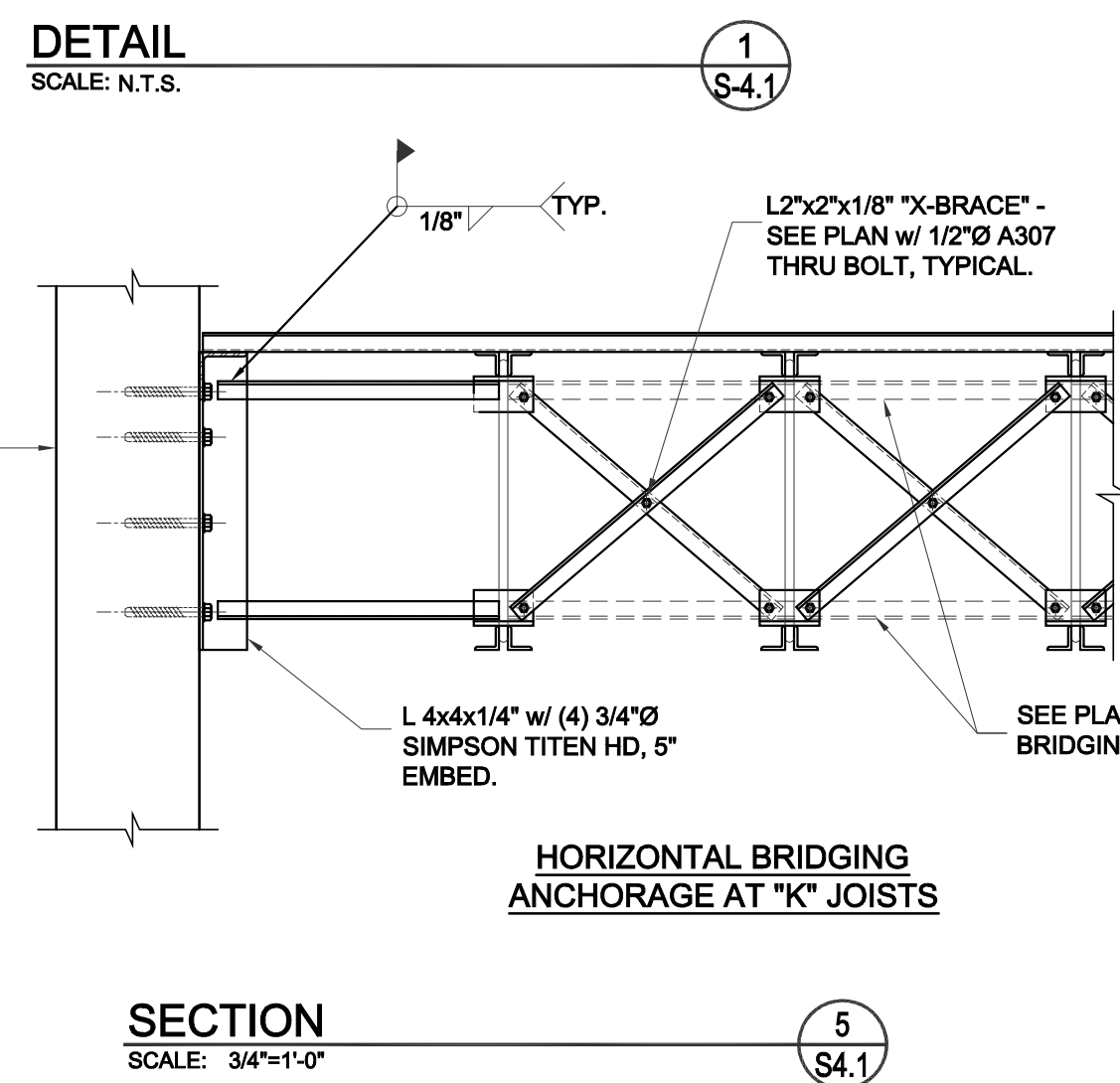
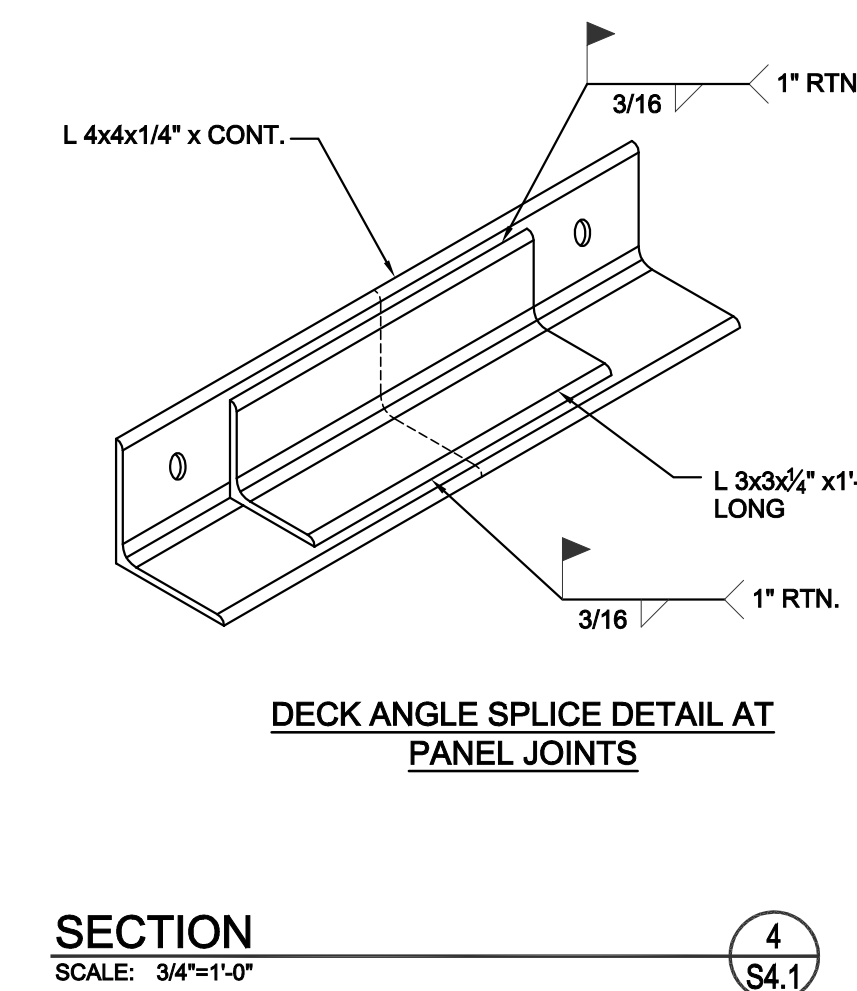
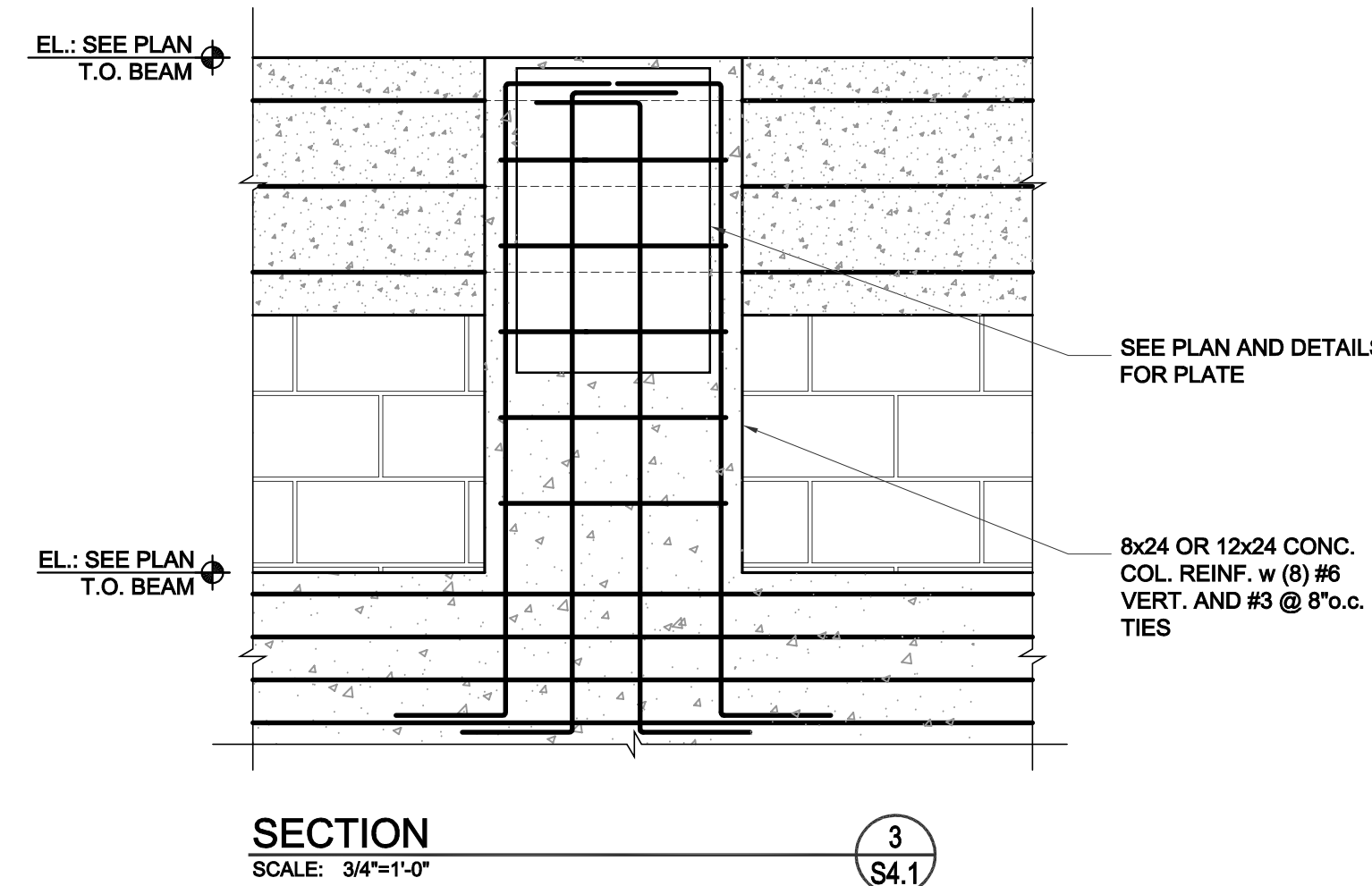
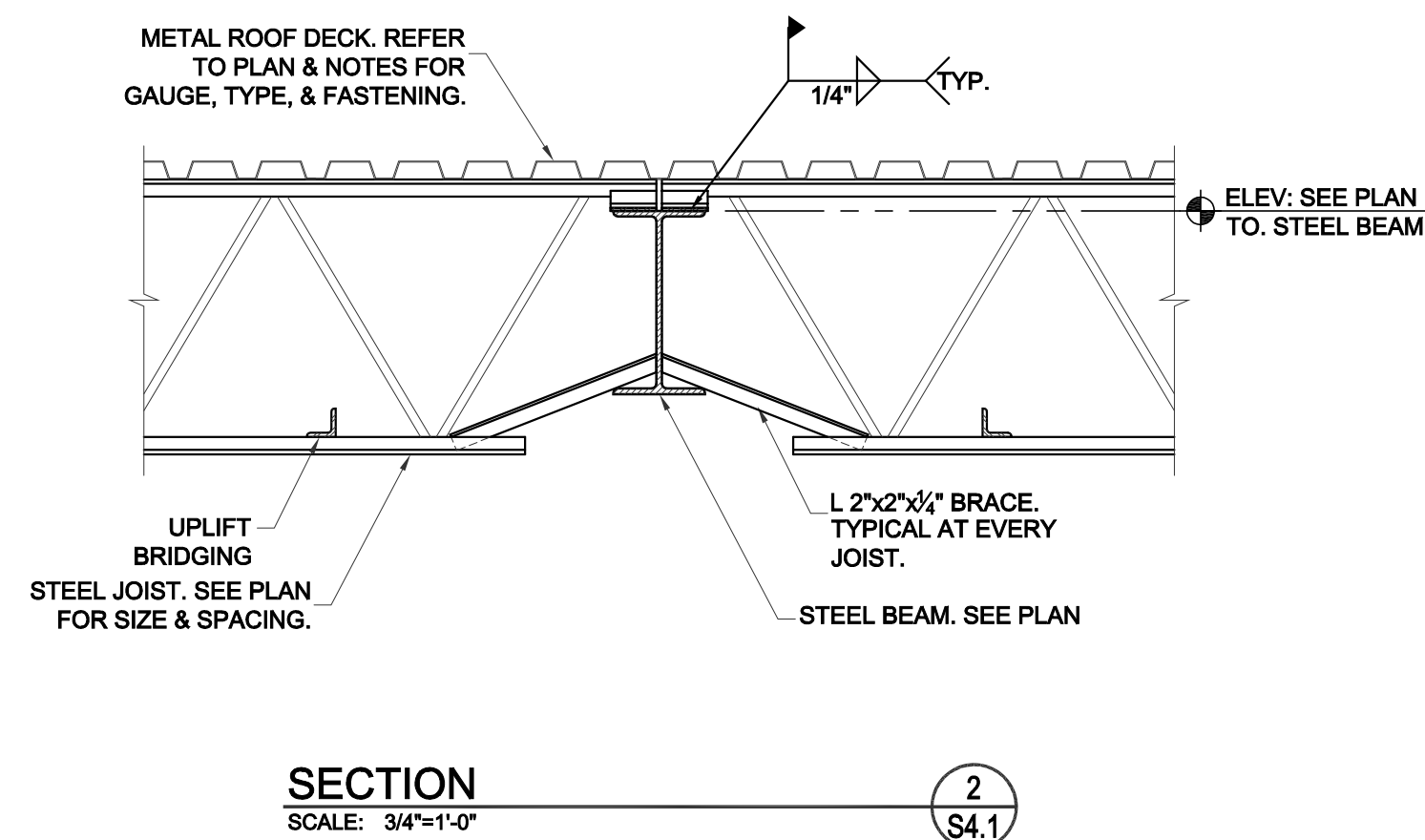


TYPICAL ROOF DECK ATTACHMENT

TYPE	DECK SIZE	ATTACHMENT 5/8"Ø WELDS TYPICAL
A	1.5Bx18GA	36/7 PATTERN w/ (11) 5/8"Ø PUDDLE WELDS AT SIDELAPS.
B	1.5Bx20GA	36/7 PATTERN w/ (11) #10 TEK SCREWS AT SIDELAPS.

NOTE: ATTACH DECK TO SUPPORTING STRUCTURE AT PERIMETER DISCONTINUITIES, AND END OF SHEETS w/ 5/8"Ø PUDDLE WELDS @ 8" o.c. (MAX).



Revisions:

- 1
- 2
- 3
- 4
- 5

Project Number
160412

1066 U.S. HIGHWAY 1
New Retail Building - Goodwill
 1066 U.S. HIGHWAY 1
 Vero Beach, Florida

Project Name
New Retail Building

Stephen Brascaglia, Architect
State of Florida Registration No. AR12239
 6991 West Broward Boulevard Suite 100
 Plantation, Florida 33317
 Telephone 954.614.3801
 Telefax 954.208.0600
 architect@design23.net

Drawn By: **RSS** Checked By: **STB**

Scale: **SHOWN** Date: **7-13-16**

Project Number
160412

Sheet:

S-4.1



PERMIT SET 07-29-2016