

**2 KITCHEN ELEVATIONS**

SCALE 3/8" = 1'-0"

SS STAINLESS STEEL PANEL BY KITCHEN EQUIPMENT VENDOR INSTALLED OVER 5/8" MMR GWB ABOVE A 3/4" EPOXY BASE. CONFIRM SS LOCATIONS AND DIMENSIONS WITH HOOD DRAWINGS.

FRP BASIS OF DESIGN MANUFACTURER: VARETEX TEXTURES LINEA TEXTURE WHITE, 1130 4' X 10' INSTALLED OVER MMR GWB THROUGHOUT.

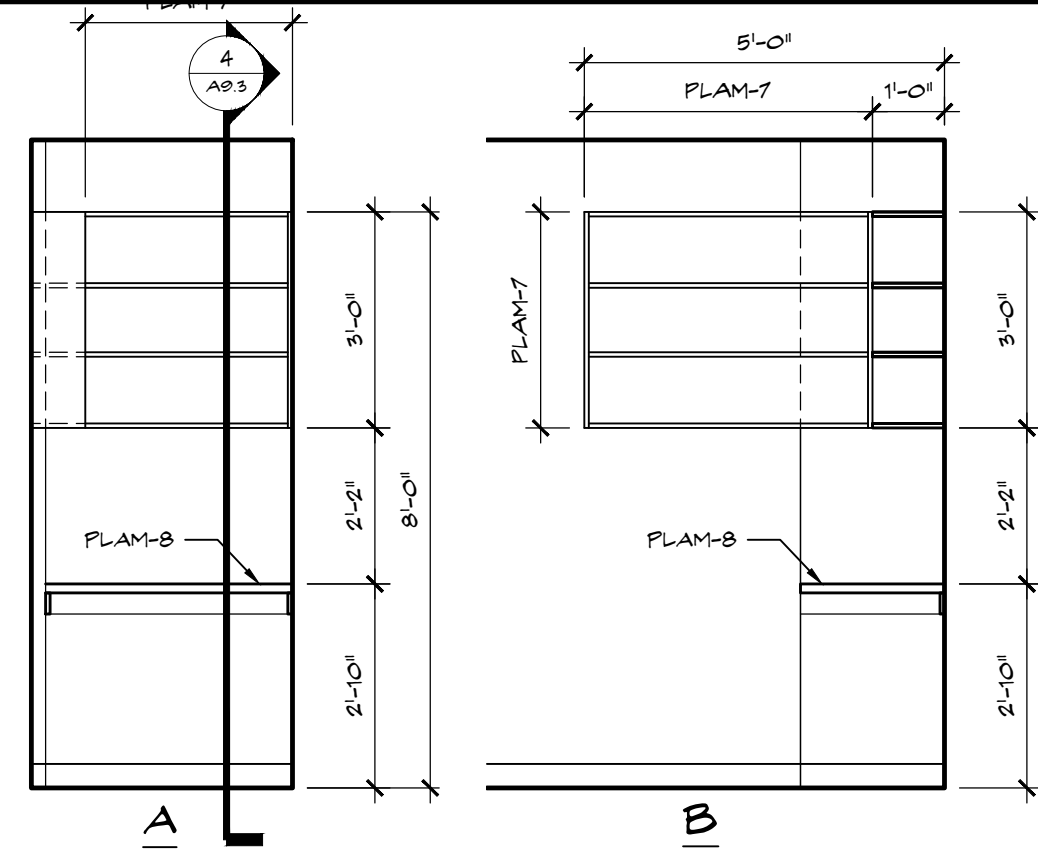
REFER TO KITCHEN VENDOR DRAWINGS FOR EQUIPMENT SPECIFICATIONS AND DIMENSIONS.

**6 TOILET ROOM 212**

SCALE 3/8" = 1'-0"

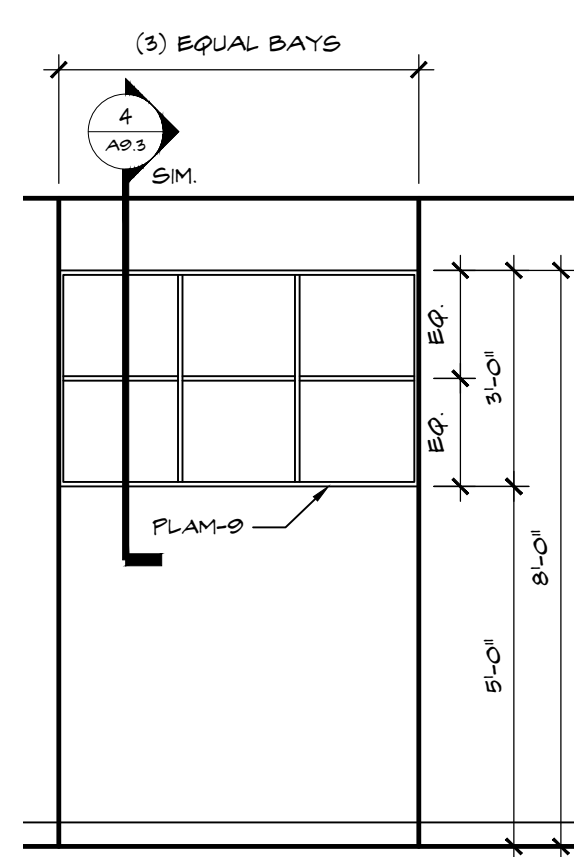
**3 COOK'S NOOK**

SCALE 3/8" = 1'-0"



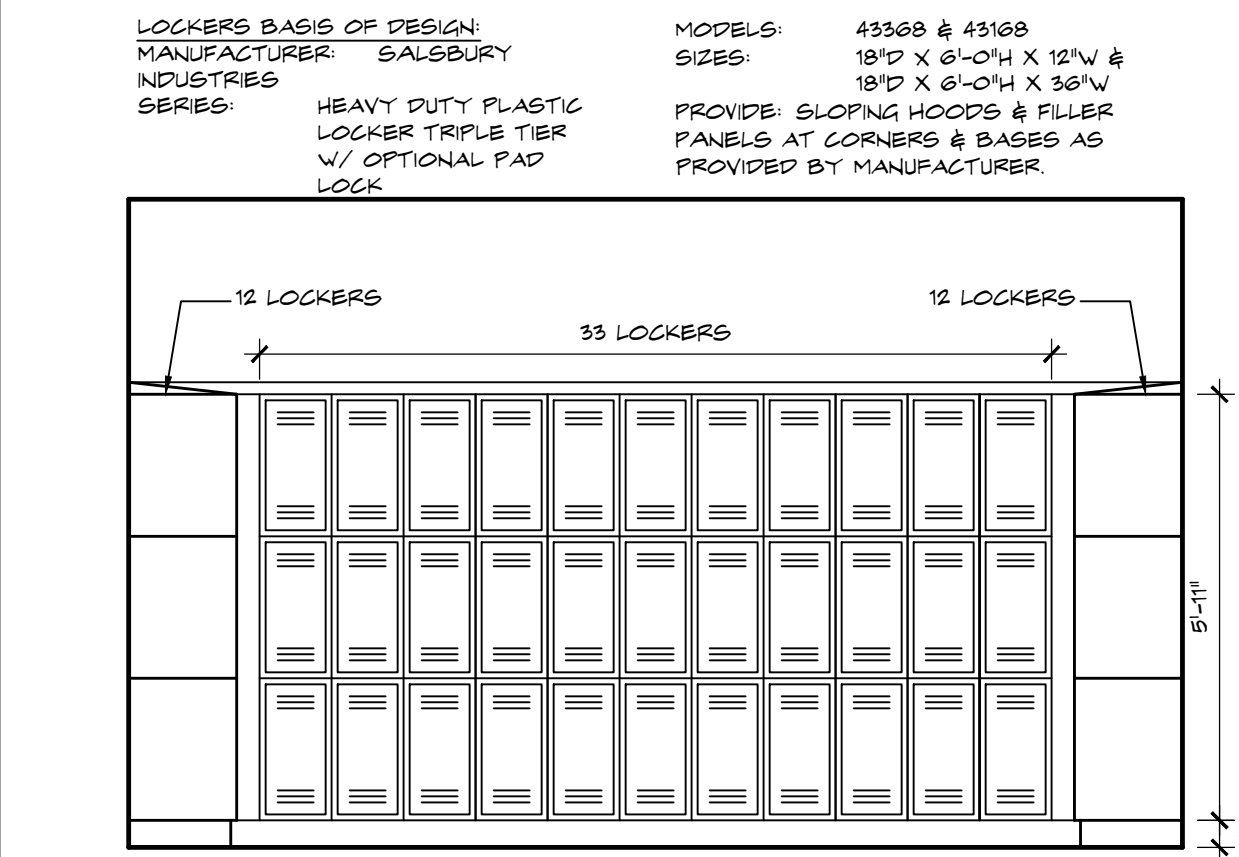
**BATHROOM ACCESSORIES**

- 1 TOILET PAPER HOLDER BOBRICK - RECESSED MULTI ROLL TP DISPENSER MODEL: B-4388
- 2 36" GRAB BAR BOBRICK - STAINLESS W SNAP FLANGE MODEL: B-6000
- 3 42" GRAB BAR (REFER TO NOTE 2 FOR SPECIFICATION)
- 4 SANITARY NAPKIN DISPOSAL BOBRICK - SATIN FINISH STAINLESS STEEL MODEL: B-4555
- 5 PAPER TOWEL TRASH COMBO UNIT BOBRICK - TRIMLINE SERIES RECESSED SATIN STAINLESS STEEL MODEL: B-50903
- 6 MIRROR BOBRICK - 24" X 36" STAINLESS STEEL ANGLE FRAME MODEL: B-2008
- 7 SEAT COVER DISPENSER BOBRICK - SURFACE MOUNTED, STAINLESS STEEL SATIN FINISH MODEL: B-4521
- 8 60" GRAB BAR (REFER TO NOTE 2 FOR SPECIFICATION)
- 9 24" GRAB BAR (REFER TO NOTE 2 FOR SPECIFICATION)
- 10 HANDHELD SHOWER MOEN - BRUSHED NICKEL MODEL: 938708P2N
- 11 SHOWER CONTROL/VALVE MOEN - BRUSHED NICKEL MODEL: T5271 VALVE TRIM & T5272 SHOWER TRIM



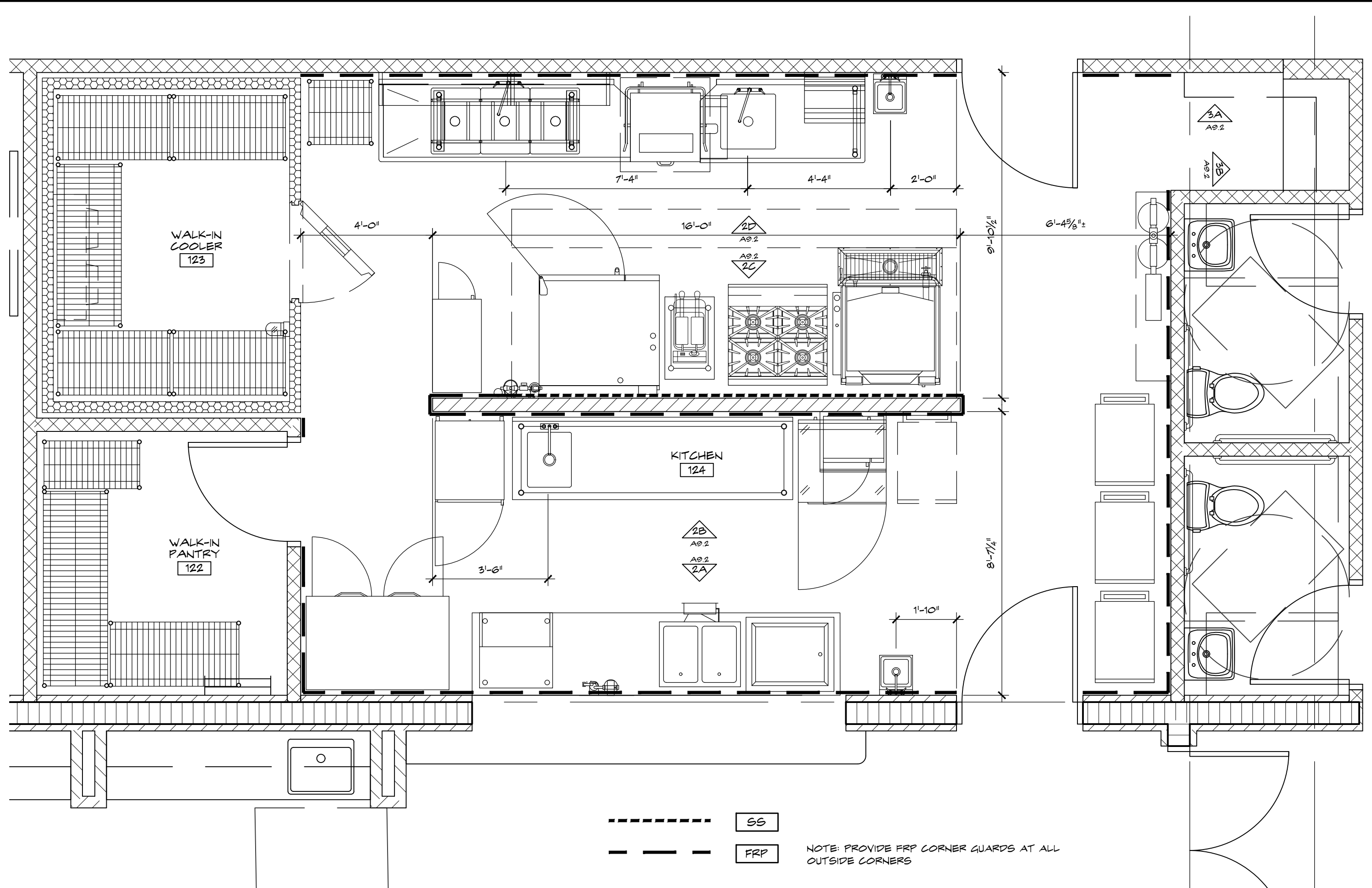
**5 CUBBIES**

SCALE 3/8" = 1'-0"



**4 TEACHER'S LOUNGE LOCKER ROOM**

SCALE 3/8" = 1'-0"



**1 KITCHEN ENLARGEMENT PLAN**

SCALE 3/8" = 1'-0"

SS FRP NOTE: PROVIDE FRP CORNER GUARDS AT ALL OUTSIDE CORNERS

REFER TO KITCHEN VENDOR DRAWINGS FOR EQUIPMENT SPECIFICATIONS AND DIMENSIONS.

THESE DRAWINGS ARE FOR THE EXCLUSIVE USE OF GLIDDEN SPINA + PARTNERS, INC. AND MAY NOT BE DUPLICATED, REPRODUCED OR USED IN ANY MANNER WITHOUT THE EXPRESS WRITTEN CONSENT OF GLIDDEN SPINA + PARTNERS, INC. ALL RIGHTS RESERVED.

Revisions:


Project no: 14224  
Date: 09.09.16  
Drawn by: WS  
Project Architect: WC / DR