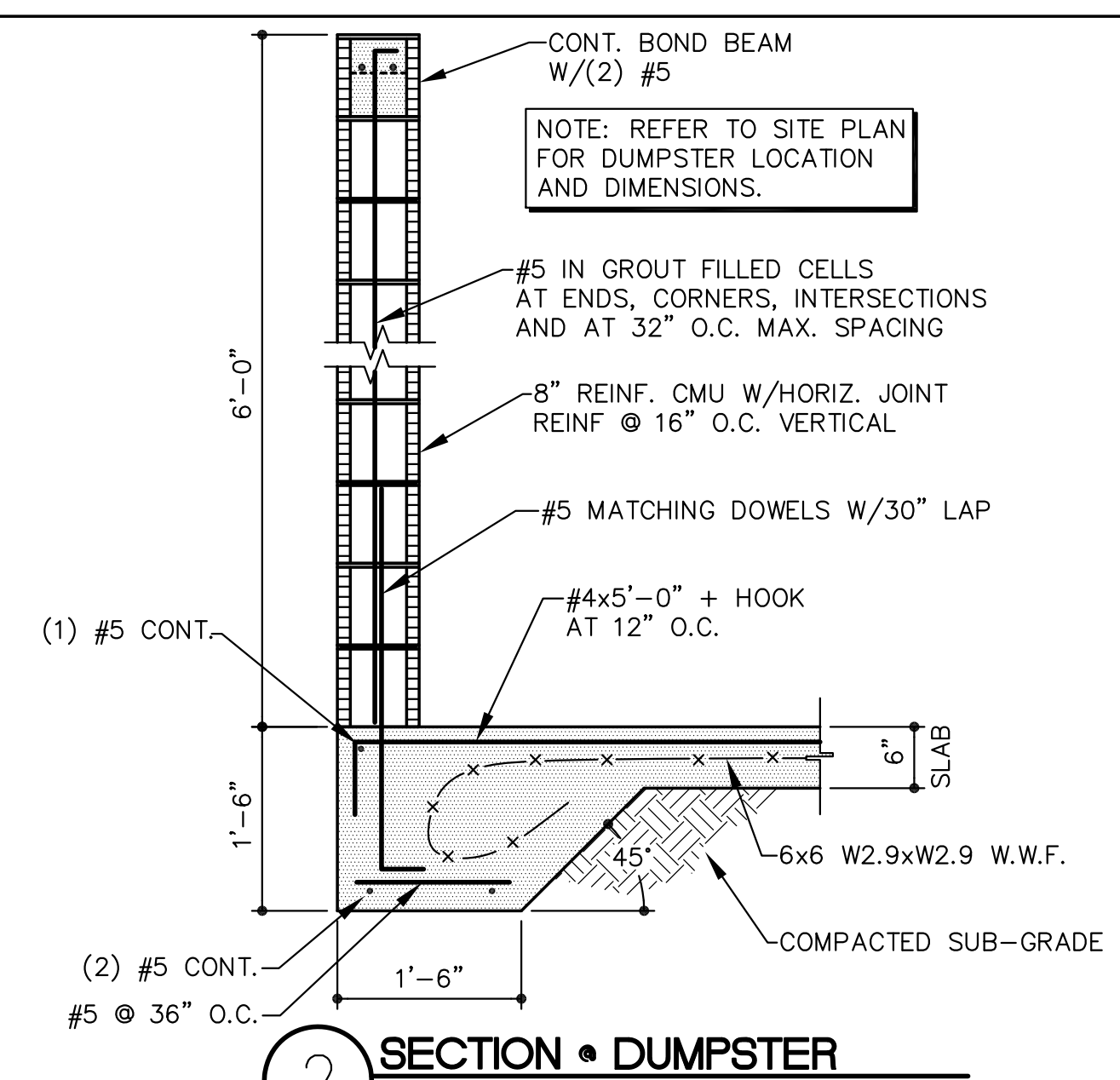
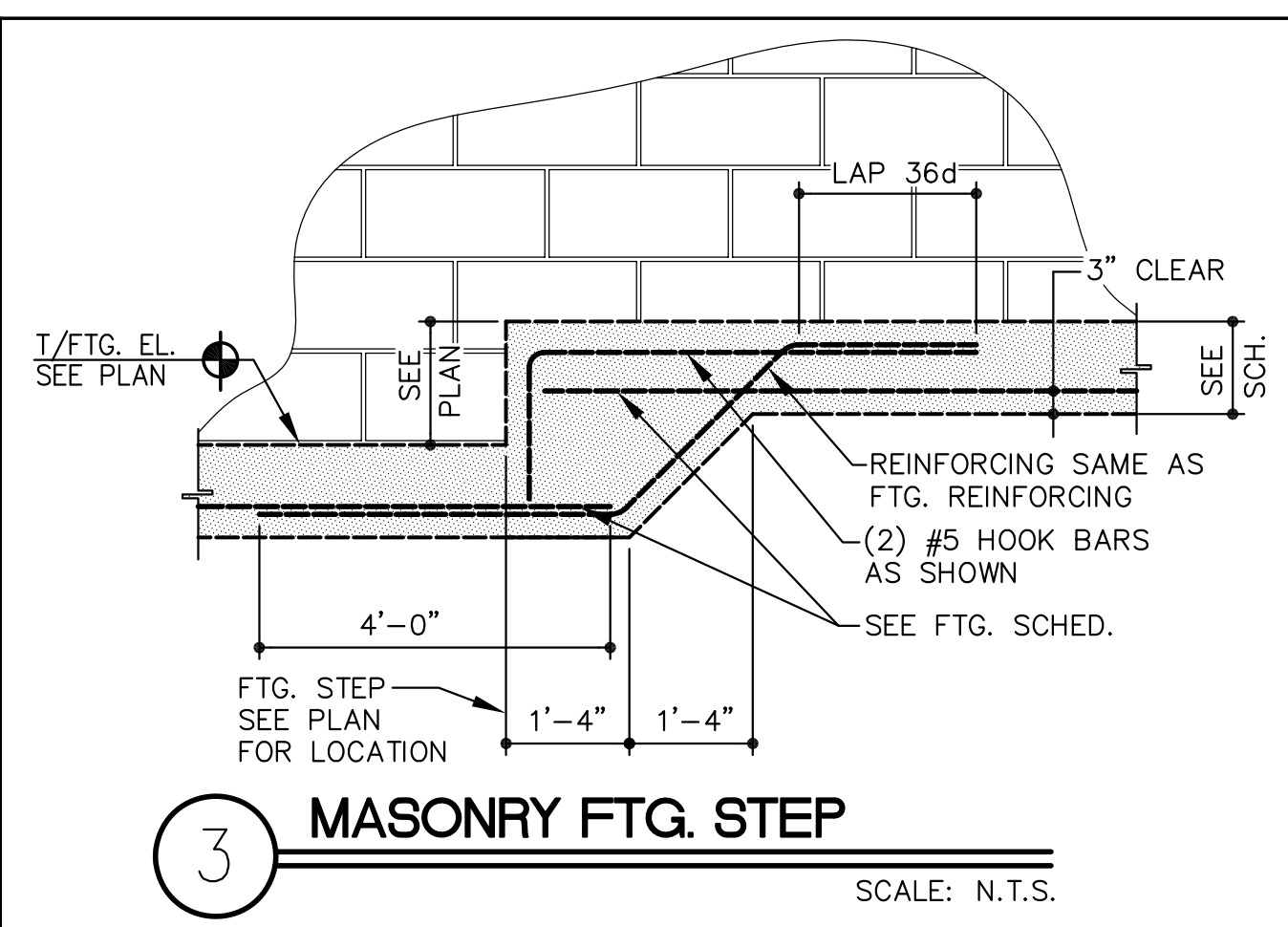


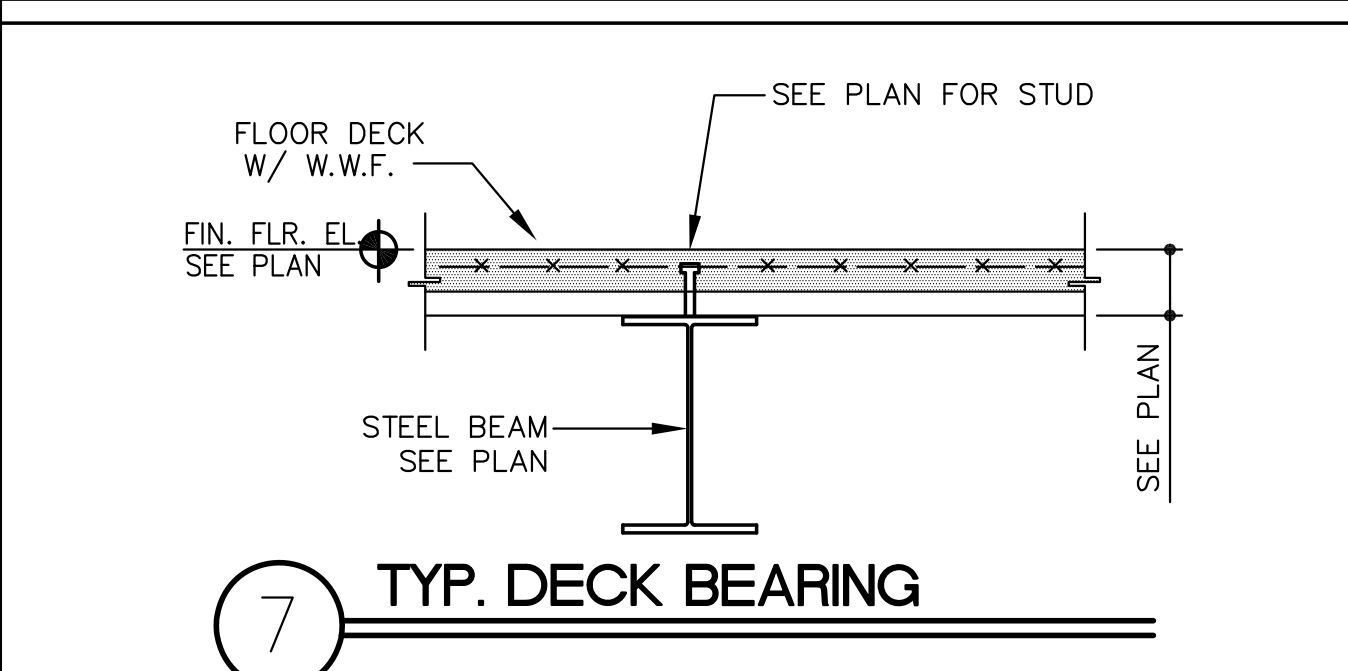
1 SECTION AT ELEVATOR PIT
SCALE: 3/4"=1'-0" TYP. U.N.O.



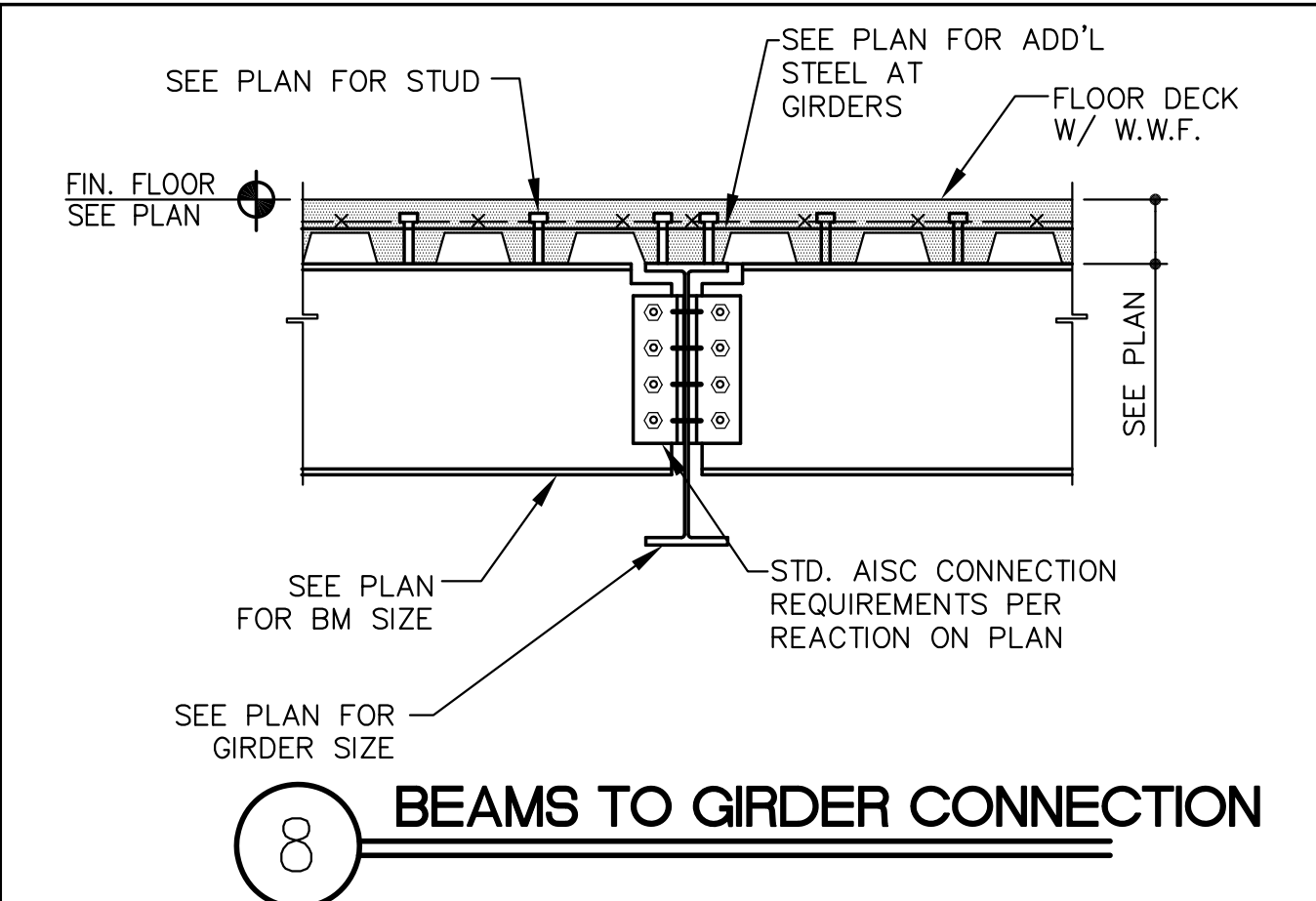
2 SECTION - DUMPSTER



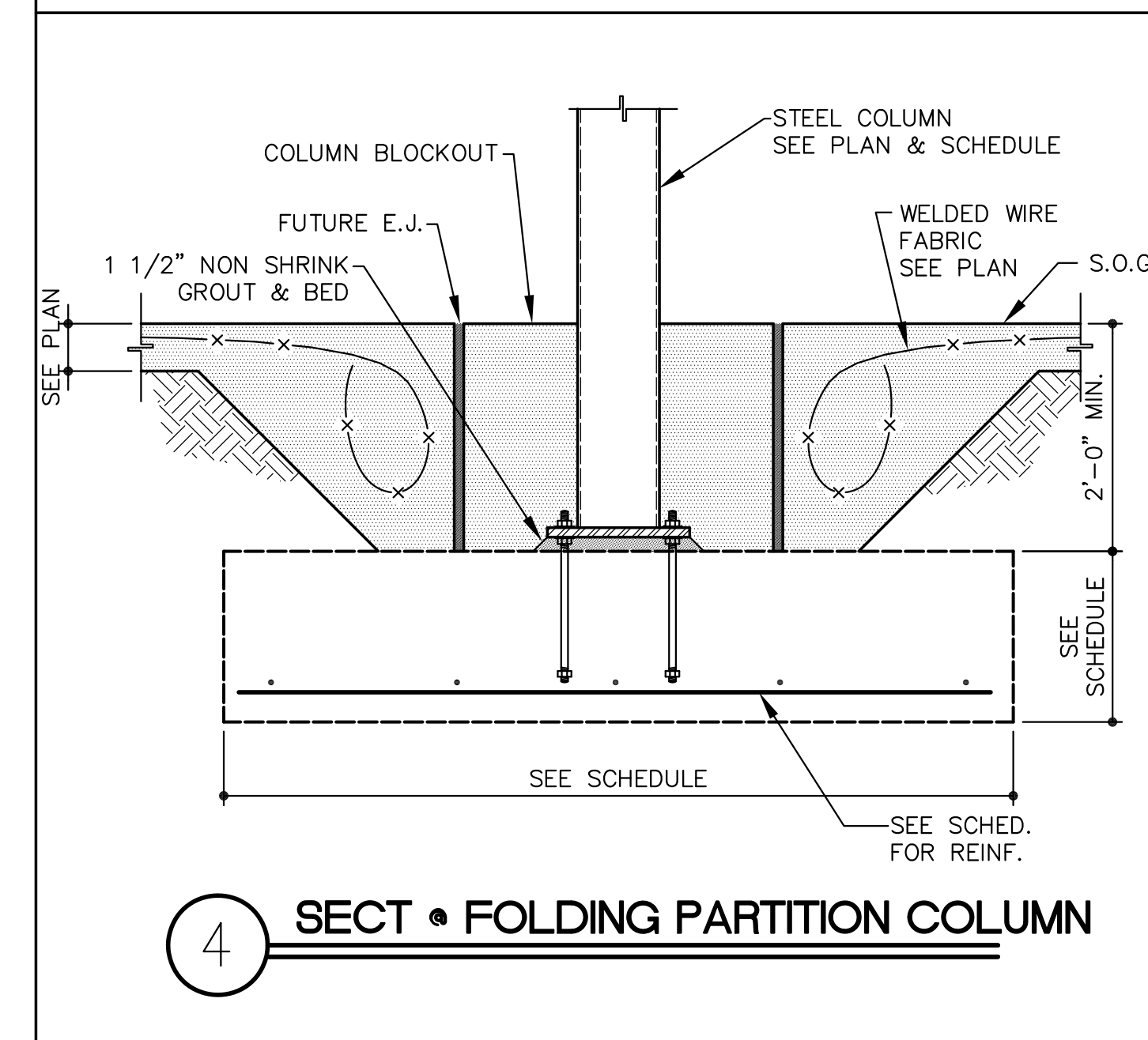
3 MASONRY FTG. STEP
SCALE: N.T.S.



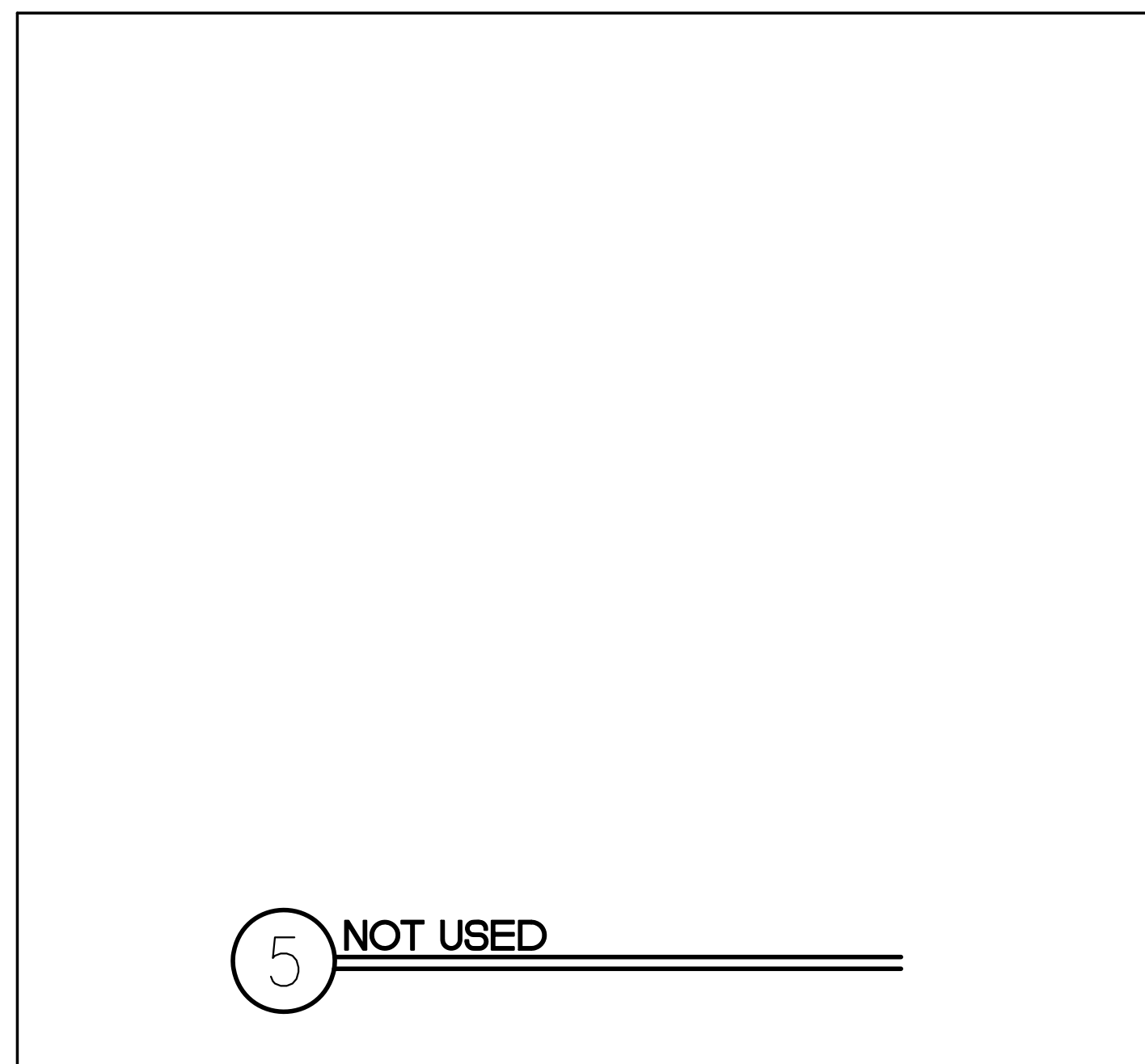
7 TYP. DECK BEARING



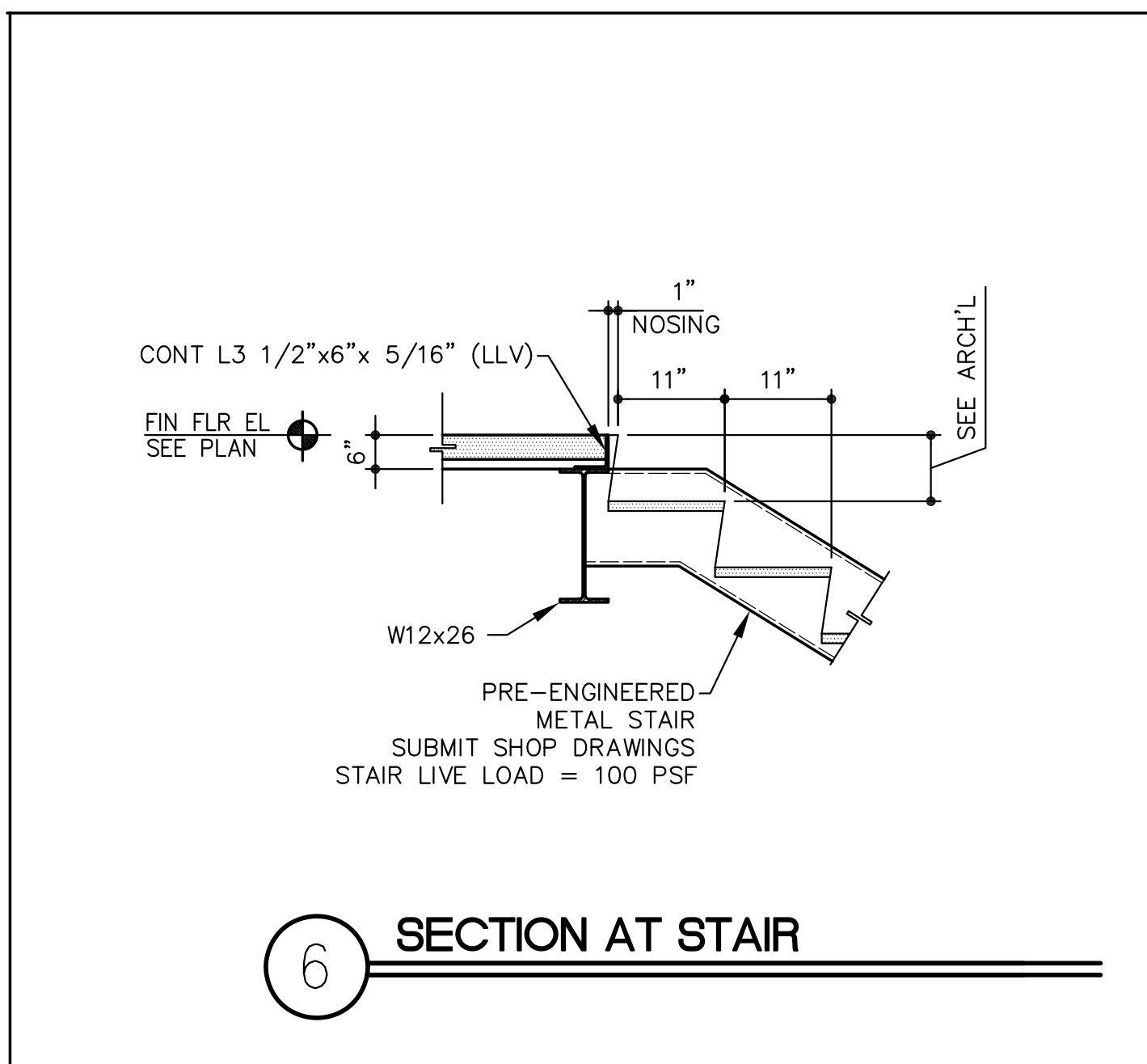
8 BEAMS TO GIRDER CONNECTION



4 SECT - FOLDING PARTITION COLUMN



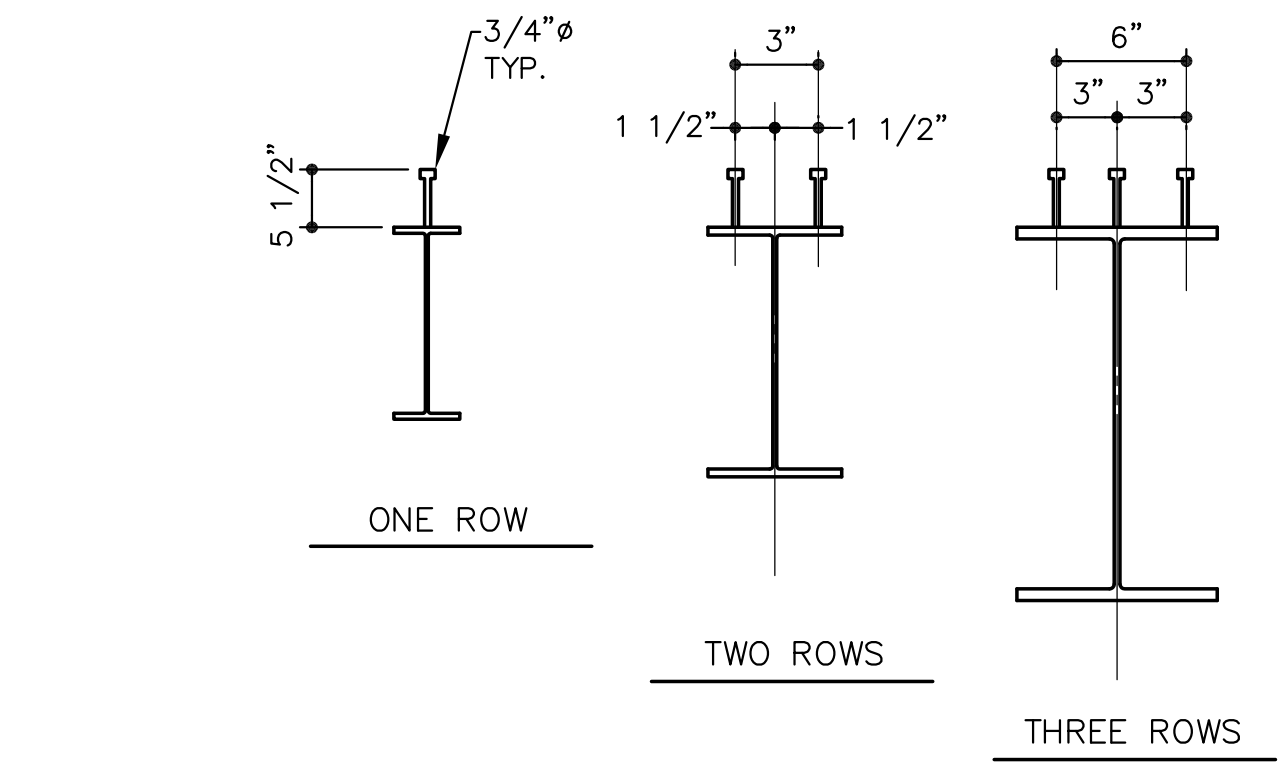
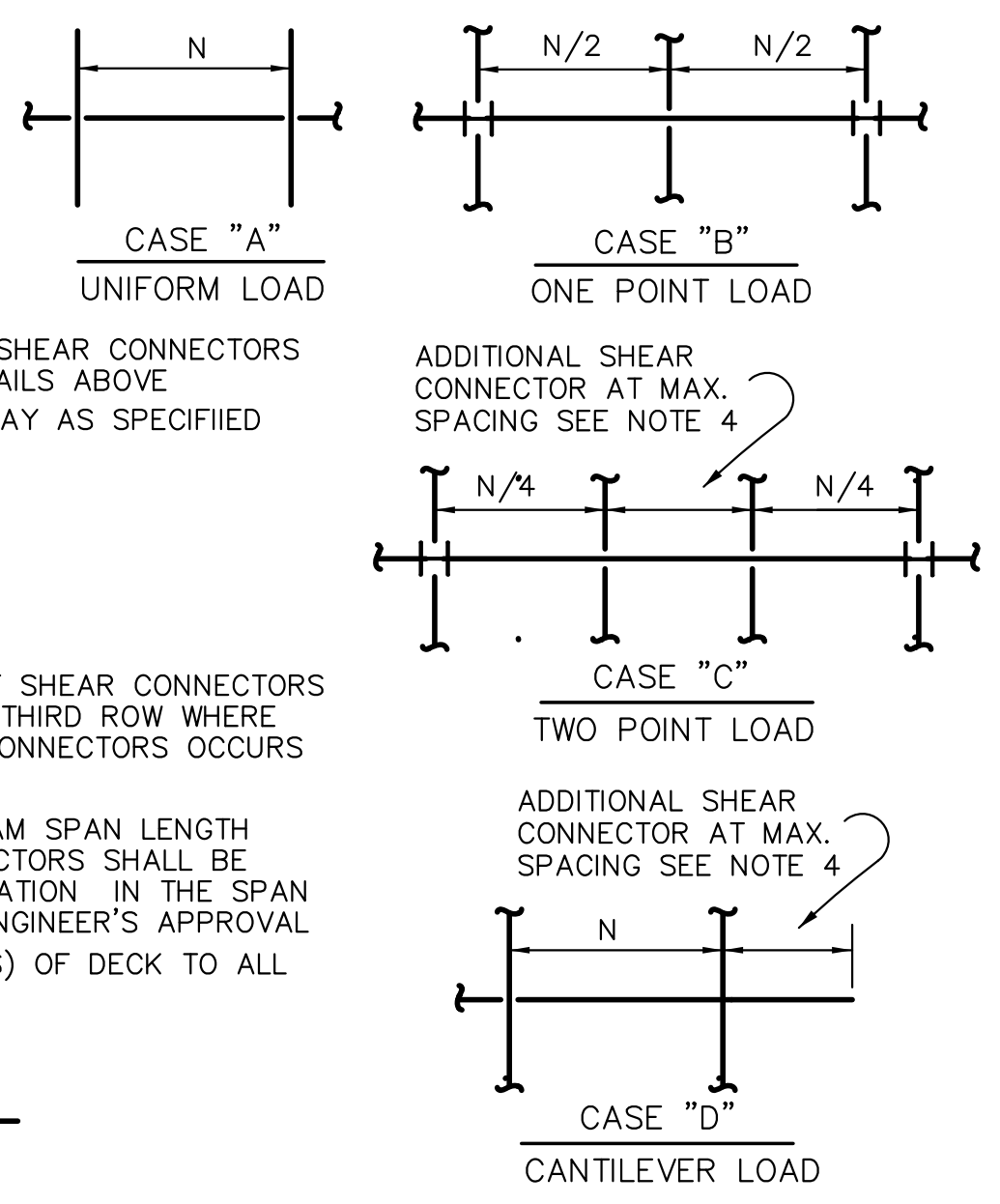
5 NOT USED



6 SECTION AT STAIR

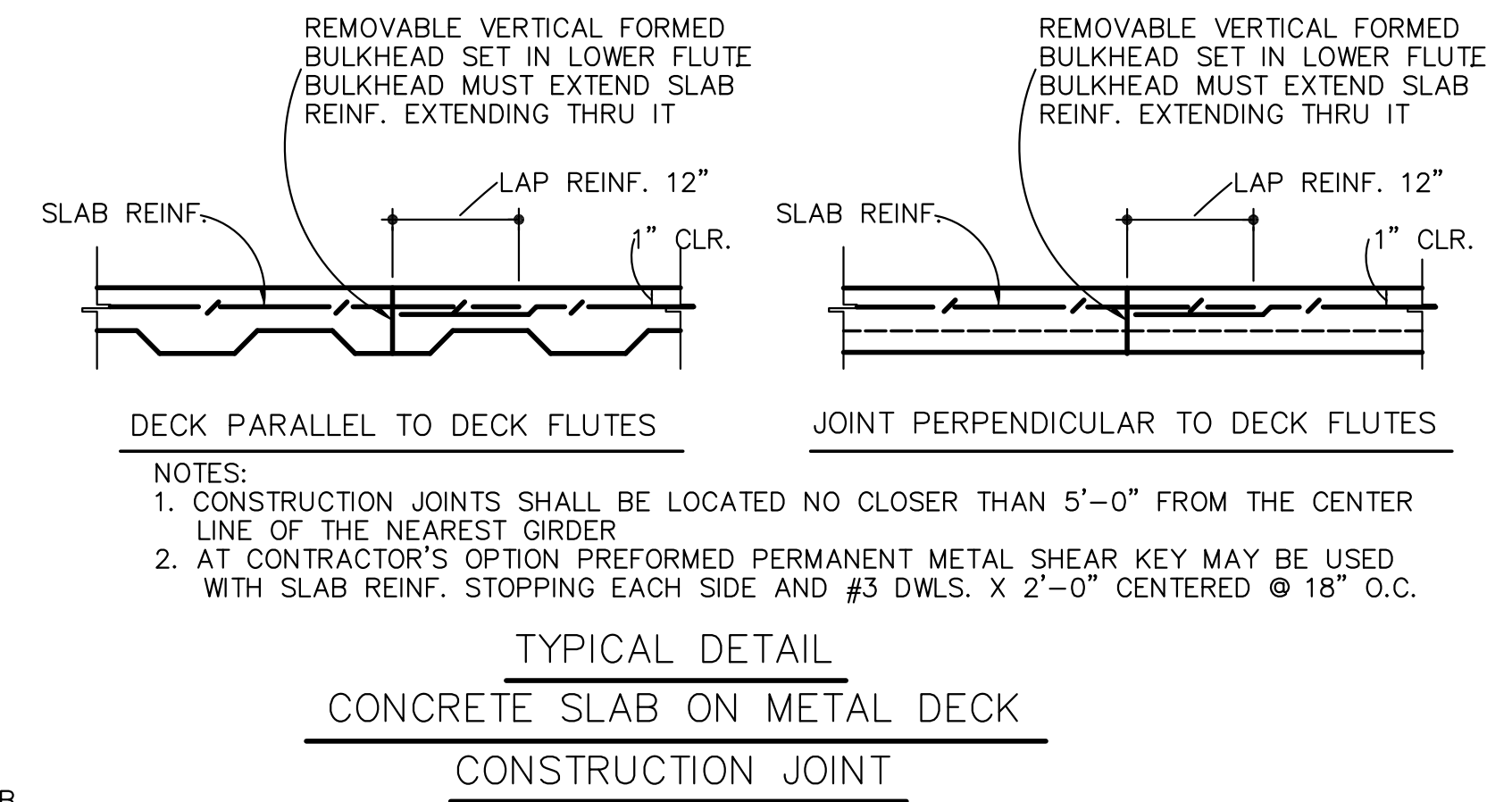
- NOTES:
- N = SPECIFIED NUMBER OF SHEAR CONNECTORS. REFER TO PLAN
 - UNLESS NOTED OTHERWISE ON PLAN OR IN THE COMPOSITE BEAM SCHEDULE, SHEAR CONNECTORS SHALL BE DISTRIBUTED ALONG THE LENGTH OF THE BEAM AS SHOWN ON DETAILS ABOVE
 - FOR GIRDERS, PROVIDE NUMBER OF SHEAR CONNECTORS (NSC) WITHIN THAT BAY AS SPECIFIED ON PLANS.
 - REFER TO GENERAL NOTES FOR SHEAR CONNECTOR DIAMETER AND LENGTH
 - MAXIMUM SPACING OF SHEAR CONNECTOR SHALL BE AS FOLLOWS:
 - BEAMS PERPENDICULAR TO DECK SPAN = 24 INCHES
 - BEAMS PARALLEL TO DECK SPAN = 32 INCHES
 - CHANNELS = 18"
 - WHERE STEEL DECK CORRUGATIONS DO NOT ALLOW FOR AN EVEN SPACING OF SHEAR CONNECTORS WITH ONE STUD IN EACH FLUTE, ADDITIONAL STUDS IN A SECOND ROW (AND THIRD ROW WHERE REQUIRED) SHALL BE PLACED SUCH THAT THE HIGHEST DENSITY OF SHEAR CONNECTORS OCCURS NEAR THE BEAM SUPPORT
 - WHERE THE SPECIFIED NUMBER OF SHEAR CONNECTOR IS LESS THAN THE BEAM SPAN LENGTH DIVIDED BY THE MAXIMUM SPACING (SEE NOTE 4), ADDITIONAL SHEAR CONNECTORS SHALL BE PROVIDED SUCH THAT THE MAXIMUM SPACING IS NOT EXCEEDED AT ANY LOCATION IN THE SPAN
 - SUBMIT SHOP DRAWINGS SHOWING PLACEMENT OF SHEAR CONNECTORS FOR ENGINEER'S APPROVAL
 - PUDDLE WELDS MUST BE USED SUCH THAT WELDING (INCLUDING SHEAR STUDS) OF DECK TO ALL BEAMS DOES NOT EXCEED 12 INCHES ON CENTER ANYWHERE

SHEAR CONNECTOR PLACEMENT DIAGRAMS
COMPOSITE METAL DECK



- NOTES:
- SHEAR CONNECTORS IN ONE ROW SHALL BE PLACED DIRECTLY OVER THE BEAM WEB
 - SUBMIT SHOP DRAWINGS SHOWING PLACEMENT OF SHEAR CONNECTORS FOR THE ENGINEER'S APPROVAL
 - PLACE STUD IN A SINGLE ROW WHERE SPACING REQUIREMENTS PERMIT. STUDS SHALL BE PLACED IN TWO ROWS OR THREE ROWS ONLY WHERE REQUIRED IN ORDER TO PLACE THE TOTAL NUMBER OF STUDS. SEE TYPICAL DETAIL, SHEAR CONNECTOR PLACEMENT DIAGRAMS
 - PROVIDE MINIMUM 1" SPACING FROM EDGE OF THE FLANGE TO CENTER LINE OF STUD

TYPICAL DETAIL
SHEAR CONNECTOR SPACING CRITERIA



- NOTES:
- CONSTRUCTION JOINTS SHALL BE LOCATED NO CLOSER THAN 5'-0" FROM THE CENTER LINE OF THE NEAREST GIRDER
 - AT CONTRACTOR'S OPTION PREFORMED PERMANENT METAL SHEAR KEY MAY BE USED WITH SLAB REINF. STOPPING EACH SIDE AND #3 DWLS. X 2'-0" CENTERED @ 18" O.C.

TYPICAL DETAIL
CONCRETE SLAB ON METAL DECK
CONSTRUCTION JOINT

sheet title: STRUCTURAL DETAILS	revisions:
file name:	
project no: 16024	date: 09/09/16
drawn by: S.G.	checked by: P.S.