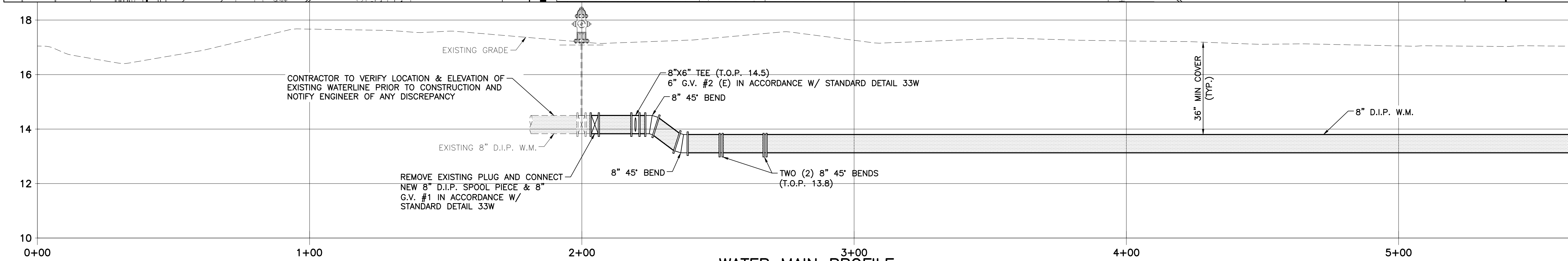


NOTES:
 CONTRACTOR TO VERIFY ELEVATION AND LOCATION OF EXISTING WATERLINE PRIOR TO CONSTRUCTION AND NOTIFY ENGINEER OF ANY DISCREPANCIES.

HYDRANT & HYDRANT SECURITY EQUIPMENT NOTES:

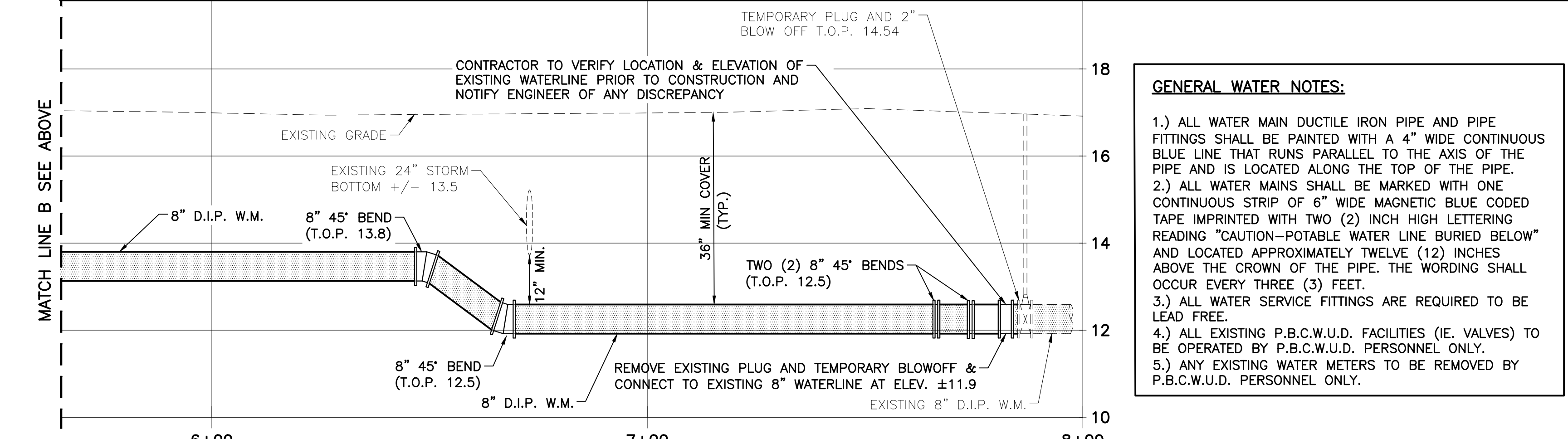
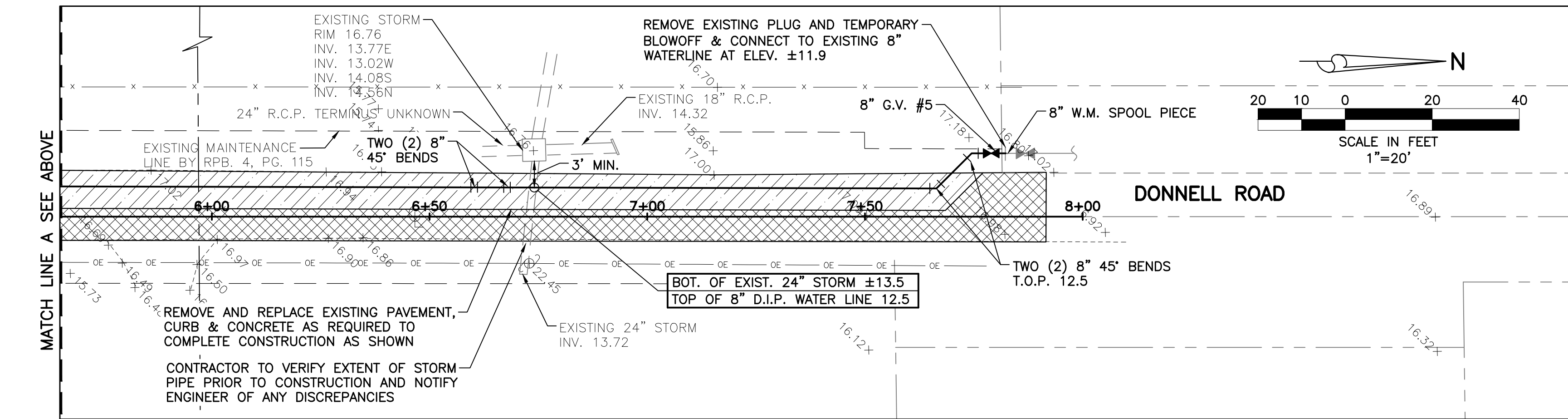
- 1.) EACH NEW FIRE HYDRANT SHALL BE EQUIPPED WITH A SET OF AFC "CAPTIVATOR" SECURITY CAPS. THE CAPS SHALL BE CHAINED TO THE HYDRANT BODY AND INSTALLED PRIOR TO ISSUANCE OF "CONSTRUCTION WATER RELEASE" CERTIFICATION. A SCHEDULED INSPECTION BY P.B.C.W.U.D. IS REQUIRED TO VERIFY THE INSTALLATION AND OPERATION OF THE CAPS.
- 2.) PLEASE NOTE THAT THE SECURITY CAPS CAN ONLY BE REMOVED USING SPECIAL WRENCHES. THE CONTRACTOR SHALL CONTACT THE P.B.C.W.U.D. INSPECTOR FOR ASSISTANCE IF ACCESS TO THE HYDRANT IS REQUIRED FOR FLUSHING OR TESTING PURPOSES.



WATER MAIN PROFILE
 SCALE: 1"=20' (HORIZ.) 1"=2' (VERT.)

LEGEND

- SINGLE SEWER SERVICE W/ CLEAN-OUT
- FIRE HYDRANT W/ GATE VALVE
- WATER SERVICE, WATER METER & R.P.Z.
- WATER MAIN & GATE VALVE
- GATE VALVE & D.D.C.V. ASSEMBLY
- SAWCUT, REMOVE, & REPLACE EXISTING CONCRETE, ASPHALT, CURB, ETC.
- MILL & RE-SURFACE
- SAWCUT & REMOVE EXISTING PAVEMENT, CONCRETE, CURB, ETC.



WATER MAIN PROFILE
 SCALE: 1"=20' (HORIZ.) 1"=2' (VERT.)

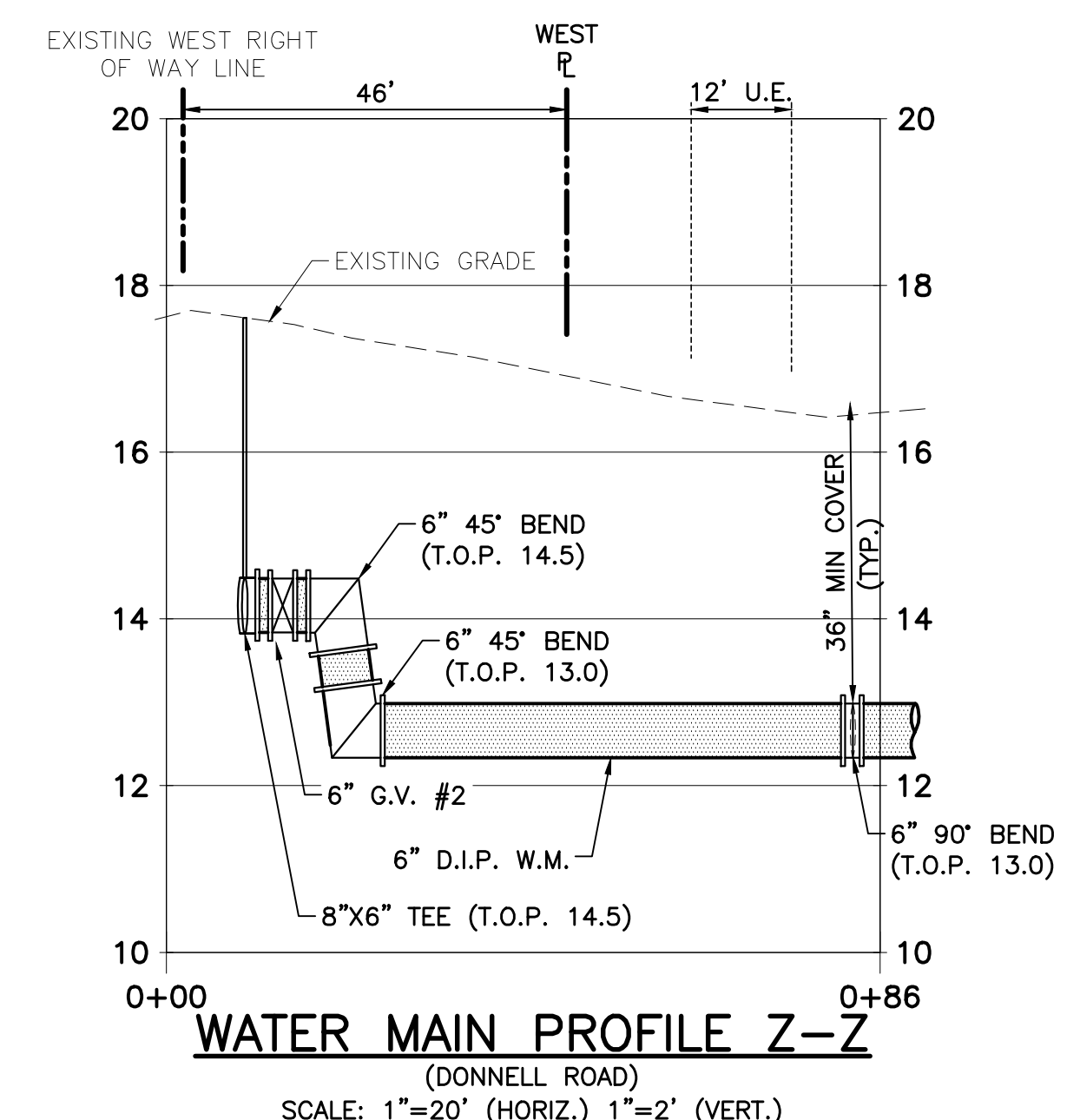
GENERAL WATER NOTES:

- 1.) ALL WATER MAIN DUCTILE IRON PIPE AND PIPE FITTINGS SHALL BE PAINTED WITH A 4" WIDE CONTINUOUS BLUE LINE THAT RUNS PARALLEL TO THE AXIS OF THE PIPE AND IS LOCATED ALONG THE TOP OF THE PIPE.
- 2.) ALL WATER MAINS SHALL BE MARKED WITH ONE CONTINUOUS STRIP OF 6" WIDE MAGNETIC BLUE CODED TAPE IMPRINTED WITH TWO (2) INCH HIGH LETTERING READING "CAUTION-POTABLE WATER LINE BURIED BELOW" AND LOCATED APPROXIMATELY TWELVE (12) INCHES ABOVE THE CROWN OF THE PIPE. THE WORDING SHALL OCCUR EVERY THREE (3) FEET.
- 3.) ALL WATER SERVICE FITTINGS ARE REQUIRED TO BE LEAD FREE.
- 4.) ALL EXISTING P.B.C.W.U.D. FACILITIES (I.E. VALVES) TO BE OPERATED BY P.B.C.W.U.D. PERSONNEL ONLY.
- 5.) ANY EXISTING WATER METERS TO BE REMOVED BY P.B.C.W.U.D. PERSONNEL ONLY.

P.B.C. R/W NOTES:

- 1.) IF DURING THE PROPOSED CONSTRUCTION/CROSSING, ANY EXISTING PALM BEACH COUNTY STORM DRAIN PIPE/STRUCTURES ARE AFFECTED IN ANY WAY, PALM BEACH COUNTY ROAD AND BRIDGE REQUIRES FULL RESTORATION OF THE AFFECTED SYSTEM TO LIKE OR BETTER THEN LIKE CONDITION AND TO PALM BEACH COUNTY/FDOT STANDARDS.
- 2.) IF ANY ADDITIONAL LANES ARE AFFECTED FOR ANY REASON DURING CONSTRUCTION, PALM BEACH COUNTY ROAD AND BRIDGE WILL REQUIRE THE ADDITIONAL LANES BE RESTORED TO LIKE OR BETTER THAN LIKE CONDITION AND TO EQUAL DIMENSIONS AS THE ADJACENT LANES.
- 3.) IF PALM BEACH COUNTY SIDEWALK/PATHWAY/CURB AND GUTTER/ AND OR ADA FACILITIES ARE AFFECTED, PALM BEACH COUNTY ROAD AND BRIDGE WILL REQUIRE RESTORATION OF A MINIMUM OF 10' AND TO BE LIKE OR BETTER THAN LIKE CONDITION PER FDOT/PALM BEACH COUNTY STANDARDS.
- 4.) ALL AFFECTED ROADWAYS ARE TO BE RESTORED FROM EOP TO EOP, LANE WIDTH MIN., AND 50' IN EITHER DIRECTION (THOROUGHFARE) AND 25' MIN., RESTORATION (NON-THOROUGHFARE).
- 5.) SIDEWALKS WILL BE RESTORED BY REPLACING TWO FLAGS IF THE POINT OF CONSTRUCTION IS LOCATED AT A CONTROL JOINT AND THREE FLAGS IF THE POINT OF CONSTRUCTION IS LOCATED BETWEEN CONTROL JOINTS. NO PARTIAL JOINTS ACCEPTED (PER SITUATION).

SEE SHEET 7 FOR:
 STANDARD WATER AND SEWER SEPARATION STATEMENT AND
 POTABLE WATER MAIN COLOR CODING REQUIREMENT



WATER MAIN PROFILE Z-Z
 (DONNELL ROAD)
 SCALE: 1"=20' (HORIZ.) 1"=2' (VERT.)

W.U.D. #16-549

9/21/2016
BID SET

1.) REVISED PER P.B.C.W.U.D. COMMENTS, 09-15-16 R.W.		<p>ENGINEERING PLANNING CONSULTING SINCE 1982 2581 Metrocentre Blvd West • Suite 3 • West Palm Beach, Florida 33407 • (561) 478-7848</p>		OPPORTUNITY INC. EARLY LEARNING CENTER SECTION 25, TOWNSHIP 43S., RANGE 42E. PALM BEACH COUNTY, FLORIDA OFF-SITE WATERMAIN PLAN & PROFILE	
DESIGN	DRAWN			CHECKED	APPROVED
A.G.	T.M.				
REVISIONS		JOB NO.	DRAWING NO.	SHEET	
		14-091	14091S08_W01	8 OF 17	