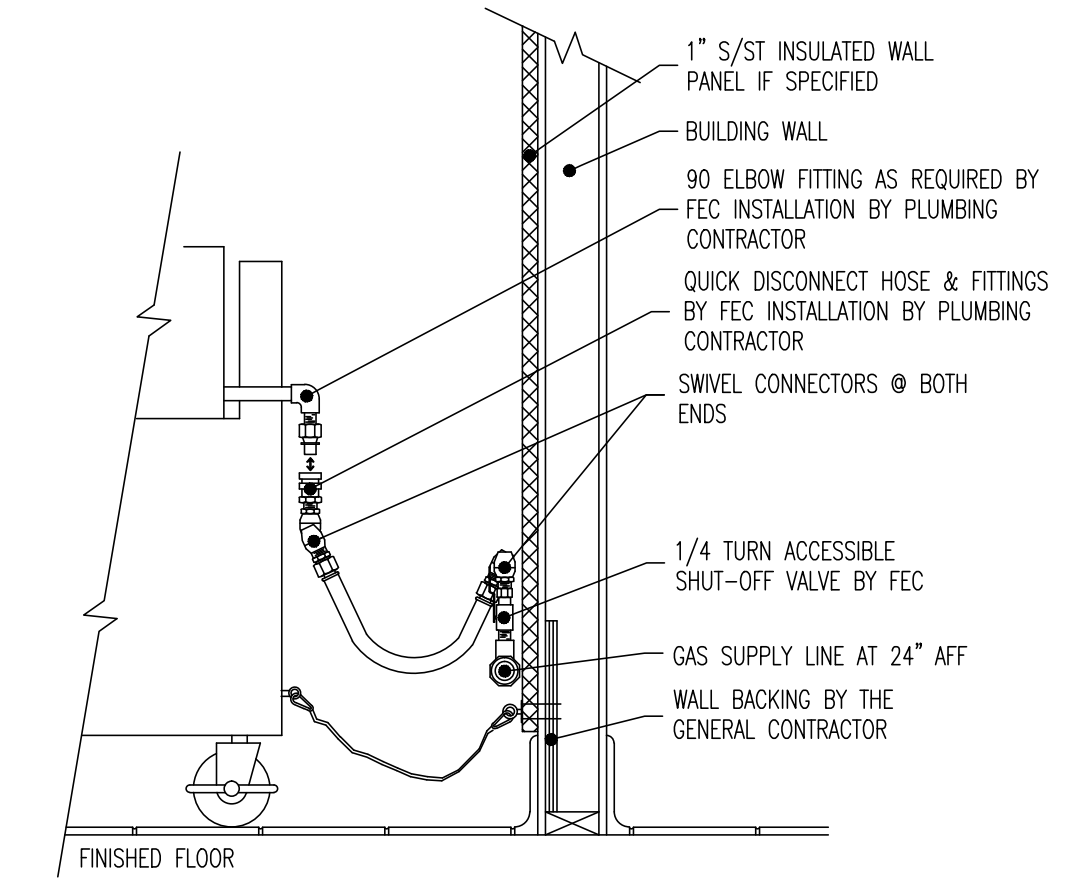
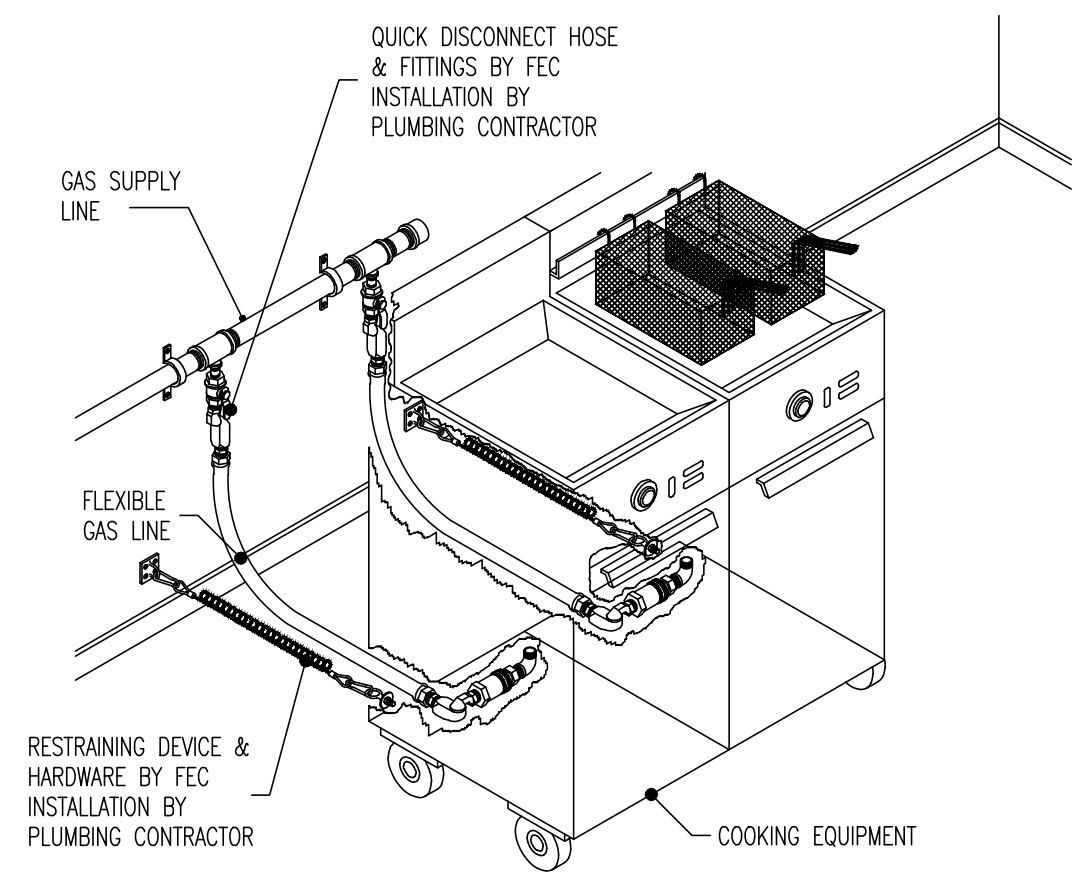
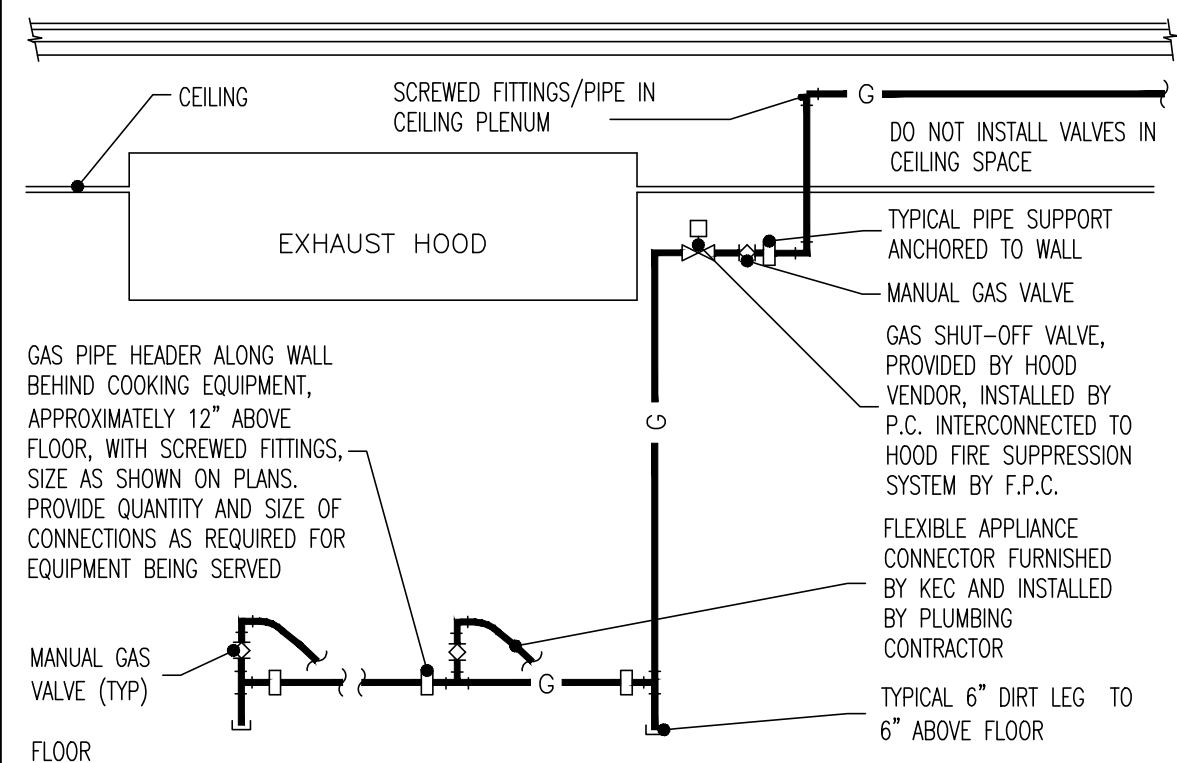


GAS LINE QUICK CONNECT DETAIL



RESTRAINING DEVICE & HARDWARE BY FEC INSTALLATION BY PLUMBING CONTRACTOR
 PLUMBING CONTRACTOR TO INSTALL FITTINGS, VALVES AND HOSE SO EQUIPMENT CAN BE POSITIONED AS CLOSE TO THE WALL AS POSSIBLE

GAS CONNECTION DETAIL



ARRANGEMENT SHOWN IS SCHEMATIC. ADJUST TO SUIT ACTUAL CONDITIONS. ATTACH RISER AND HEADER TO WALL WITH 1" CLEARANCE BEHIND PIPE. MAKE FINAL CONNECTION TO EQUIPMENT AS RECOMMENDED BY MANUFACTURER. PROVIDE WELDED FITTINGS/JOINTS IN ANY CONCEALED, UNSLEEVED LOCATION

PLUMBING NOTES

1. THESE DRAWINGS ARE NOT TO BE USED FOR CONSTRUCTION. THESE DRAWING SHOWS PLUMBING REQUIREMENTS FOR THE FOOD SERVICE EQUIPMENT ONLY. THIS DRAWING IS INTENDED TO COMPLEMENT THE ARCHITECTURAL AND ENGINEERING CONSTRUCTION DOCUMENTS FOR THIS PROJECT AND MUST BE USED AND COORDINATED WITH THOSE DRAWINGS AND SPECIFICATIONS.
2. THESE DRAWINGS ARE INTENDED TO COMPLEMENT THE EQUIPMENT MFR'S CATALOG SHEETS AND SHOP DRAWINGS AND MUST BE USED IN COORDINATION WITH THOSE DRAWINGS AND SPECIFICATIONS.
3. ALL PLUMBING WORK MUST BE PERFORMED AND COMPLY TO ALL PREVAILING HEALTH AND BUILDING CODES. NOTIFY THE PROJECT ARCHITECT IF ANY INFORMATION CONTAINED IN THESE DRAWINGS DOES NOT CONFORM TO ANY CODE ENFORCED.
4. THESE DRAWINGS HAVE BEEN PREPARED FROM THE ARCHITECTURAL DRAWINGS. ANY DISCREPANCIES BETWEEN THESE DRAWINGS AND ACTUAL FIELD CONDITIONS MUST BE ANNOUNCED IMMEDIATELY.
5. ALL DIMENSIONS SHOWN ARE TO BE MEASURED FROM FINISHED SURFACES AND FROM CENTER LINE OF COLUMNS. ALL WRITTEN DIMENSIONS SUPERSEDE SCALE. ALL DIMENSIONS ARE TO CENTERS OF ROUGH-INS. DO NOT SCALE DRAWINGS.
6. THE FOOD SERVICE EQUIPMENT WILL BE PROVIDED WITH ONLY THE DEVICES SUPPLIED AS STANDARD BY THE MFR. OR AS SPECIFIED BY THE CONSULTANT. THE PC SHALL PROVIDE AND INSTALL ALL OTHER NECESSARY CONTROLS, VALVES, REGULATORS, TRIM, TRAPS, TAILPIECES, STRAINERS, BACK-FLOW PREVENTION, AND ANY OTHER MATERIALS REQUIRED FOR A PROPER INSTALLATION. THE PC SHALL COORDINATE AND MAKE ALLOWANCES FOR THESE DEVICES.
7. THE PC SHALL INSTALL AND INTERCONNECT ALL PLUMBING COMPONENTS, ACCESSORIES AND SYSTEMS REQUIRED TO MAKE A COMPLETE AND PROPER INSTALLATION. ALL PLUMBING LINES SHALL BE RUN CONCEALED WHEREVER POSSIBLE.
8. THE PC SHALL VERIFY WATER PRESSURE REQUIREMENTS FOR EACH EQUIPMENT ITEM IN THESE PLANS AND TO PROVIDE CONTROL DEVICES TO INSURE PROPER WATER PRESSURE AS SPECIFIED BY THE MFR.
9. THE PC SHALL VERIFY ALL REQUIREMENTS FOR ITEMS LISTED AS: EXISTING, BY OWNER, BY VENDOR, NIC OR BY OTHERS.
10. THE PC SHALL PROVIDE AND INSTALL ALL GREASE INTERCEPTORS, FLOOR DRAINS AND FLOOR SINKS. LOCATIONS OF THESE ITEMS MUST BE COORDINATED WITH THE FSEC.
11. FLOOR DRAINS SHOWN ON THESE DRAWINGS ARE FOR THE FOOD SERVICE EQUIPMENT ONLY. THE PC MUST VERIFY LOCATIONS FOR ALL OTHER FLOOR DRAINS THAT MAY BE REQUIRED.
12. THE PC SHALL COORDINATE THE LOCATION OF AND INSTALL THE GAS SHUT-OFF VALVE, FURNISHED BY THE FSEC.

PLUMBING LEGEND

(H)	HOT AND COLD WATER SUPPLY TO EQUIPMENT	(D)	WASTE, DIRECT-CONNECTED UNLESS NOTED "OPEN HUB"
(H)	HOT WATER SUPPLY TO EQUIPMENT	(FD)	FLOOR DRAIN - SUGGESTED LOCATION
(C)	COLD WATER SUPPLY TO EQUIPMENT	(FS)	FLOOR SINK - 12"x12" W/ 3/4 GRATE
(FC)	FILTERED COLD WATER	(FS)	FLOOR SINK - 12"x12" W/ 1/2 GRATE
(D)	DRAIN LOCATION ON EQUIPMENT	(G)	GAS
		HW	HOT WATER
		CW	COLD WATER
		IW	INDIRECT WASTE
		DW	DIRECT WASTE
		GI	GREASE INTERCEPTOR
		FS	FLOOR SINK
		FW	FILTERED WATER
		SS	STEAM SUPPLY
		SR	STEAM RETURN
		RL	REFRIGERATION LINES

ANY SUPPLIES NEEDED FOR PLUMBING INSTALLATION TO BE SUPPLIED BY PLUMBER.

DESIGN DEVELOPMENT

THESE DRAWINGS ARE PRELIMINARY AND CONCEPTUAL IN NATURE THEY ARE PROVIDED FOR GENERAL INFORMATION PURPOSES ONLY. ANYONE MAKING USE OF THESE DRAWINGS DOES SO AT THEIR OWN RISK AND ASSUMES ALL LIABILITY FOR SUBSEQUENT USE.

SCALE: 1/4"=1'0"

NO.	DESCRIPTION	DATE
1	CLIENT REQUESTED CHANGES	05/04/16
2	CLIENT REQUESTED CHANGES	05/04/16

Cheney Brothers Stamp:

PROPRIETARY INFORMATION NOTICE
 THIS DRAWING, INTELLECTUAL PROPERTY, AND ALL ATTACHMENTS TRANSMITTED WITH IT CONTAIN INFORMATION THAT IS UNLAWFULLY DISCLOSED OR UNLAWFULLY OBTAINED BY CHENEY BROTHERS, INC. WITHOUT THE WRITTEN CONSENT OF CHENEY BROTHERS, INC. ANY REPRODUCTION, DISTRIBUTION, COPYING OR OTHER USE OF THESE DRAWINGS OR THEIR ATTACHMENTS WITHOUT THE WRITTEN CONSENT OF CHENEY BROTHERS, INC. IS STRICTLY PROHIBITED. ANY ASSUMPTION IN WHOLE OR PART SHALL NOT IN ANY WAY SUBJECT CHENEY BROTHERS, INC. TO LIABILITY FOR NEGLIGENCE OR OTHERWISE. CHENEY BROTHERS, INC. ASSUMES NO RESPONSIBILITY FOR THE ACCURACY OR COMPLETENESS OF THE INFORMATION CONTAINED HEREIN. CHENEY BROTHERS, INC. WILL NOT BE HELD RESPONSIBLE FOR THE CONSEQUENCES OF ANY ERRORS OR OMISSIONS. CHENEY BROTHERS, INC. ASSUMES NO RESPONSIBILITY FOR THE CONSEQUENCES OF ANY ERRORS OR OMISSIONS. CHENEY BROTHERS, INC. WILL NOT BE HELD RESPONSIBLE FOR THE CONSEQUENCES OF ANY ERRORS OR OMISSIONS.

Cheney Brothers
 EQUIPMENT & DESIGN DIVISION
 2061 Martin Luther King Jr. Blvd.
 1-877-391-0416 (224-243)
 www.cheneybrothers.com

FOOD SERVICE KITCHEN EQUIPMENT PLAN

DESIGN DEVELOPMENT
DESC

CBI-16117

WEST PALM BEACH, STATE

DATE:	05/04/16
DRAWN:	DL
CHECKED:	JC
JOB No.:	16117
SHEET:	K-3.1
OF SHEETS	3