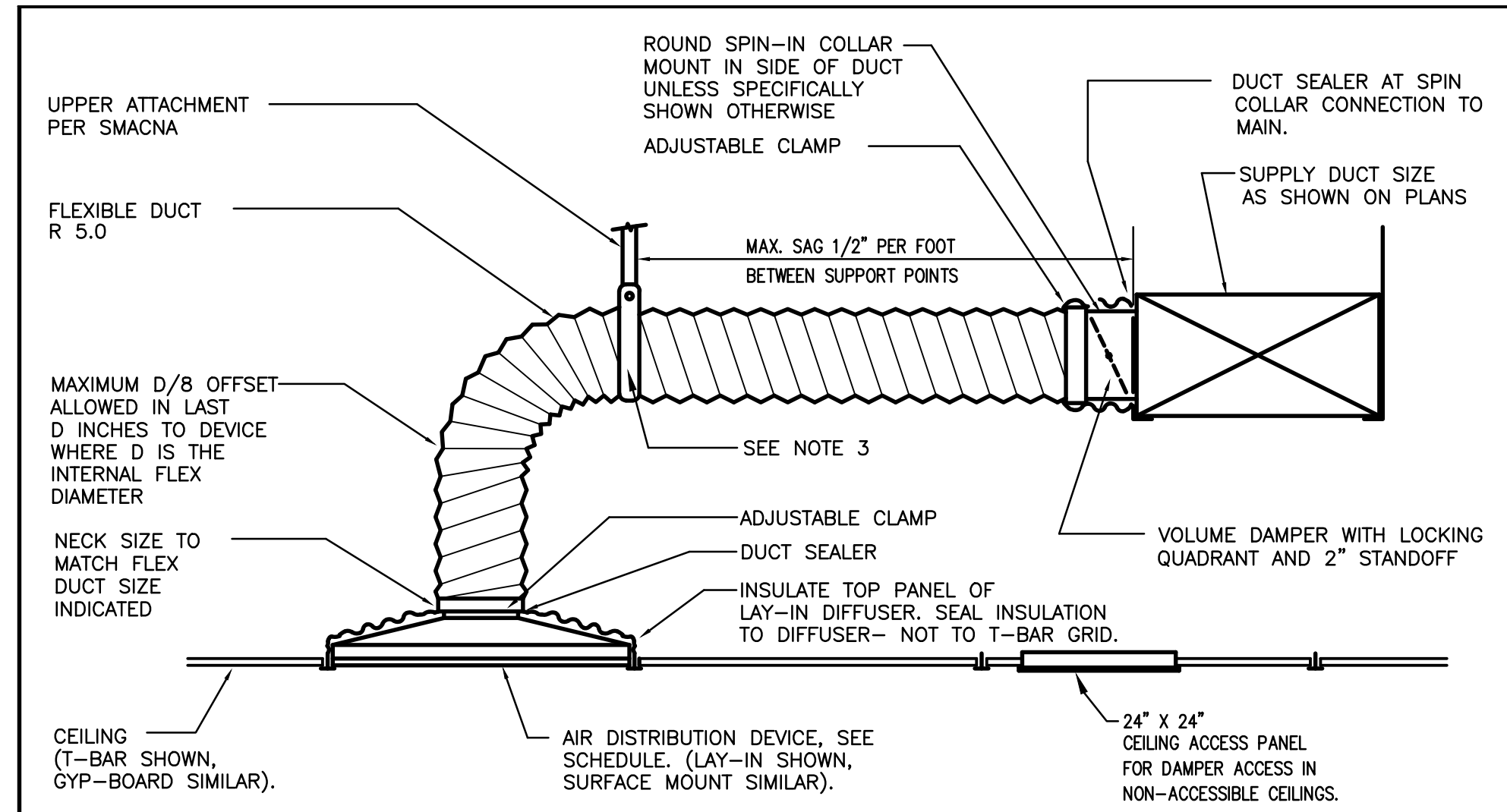


## A/C CONTROL SEQUENCE

- A/C UNIT SHALL HAVE DIGITAL, PROGRAMMABLE THERMOSTAT LOCATED 4'-6" ABOVE FIN. FL. AS SHOWN ON THE DRAWINGS. THERMOSTAT SHALL HAVE THE FOLLOWING FEATURES:  
7 DAY PROGRAMMING (ON-OFF, ETC.)  
NIGHT SETBACK  
HEATING & COOLING  
ADJUSTABLE DEAD BAND  
AUTOMATIC HEAT/COOL CHANGEOVER  
MANUAL OVERRIDE (TEMPORARY UP TO 2 HOURS)  
LOCKING KEYBOARD  
DIGITAL TIME & TEMPERATURE DISPLAY  
REMOTE TEMPERATURE SENSOR  
AIR HANDLING UNIT FAN SHALL RUN CONTINUOUSLY WHENEVER SYSTEM IS PROGRAMMED TO RUN IN OCCUPIED MODE.
- AHU'S OUTDOOR AIR DAMPER SHALL BE INTERLOCKED WITH THERMOSTAT AND SHALL CLOSE WHEN AHU IS OFF OR IN THE UNOCCUPIED MODE.
- PROVIDE ALL NECESSARY CONTROLS TO ACCOMPLISH THE DESIRED CONTROL SEQUENCE, INCLUDING RELAYS, TRANSFORMERS, CIRCUITRY, ETC. COORDINATE WITH THE A/C UNIT MANUFACTURER. PROVIDE LINE VOLTAGE POWER SUPPLY FROM SPARE ON POWER PANEL IF NECESSARY FOR CONTROL SYSTEM OPERATION.
- ALL THERMOSTATS AND DUCT SENSORS SHALL BE FIELD LOCATED WITH THE OWNER'S REPRESENTATIVE. ALL COSTS ASSOCIATED WITH LOCATION OF THESE DEVICES SHALL BE INCLUDED IN THE BASE BID COST. THERE WILL BE NO EXTRA COST ALLOWED REGARDLESS OF FINAL THERMOSTAT LOCATIONS.

## MECHANICAL GENERAL NOTES

- THIS WORK SHALL PROVIDE A COMPLETE AND OPERABLE MECHANICAL SYSTEM.
- THIS DRAWING IS DIAGRAMATIC. ALL OFFSETS AND FITTING REQUIREMENTS ARE NOT SHOWN. THE CONTRACTOR SHALL INCLUDE IN HIS BID ALL REQUIREMENTS TO PERFORM A COMPLETE AND FUNCTIONING HVAC SYSTEM.
- ALL WORK SHALL BE PERFORMED IN A FIRST CLASS WORKMANLIKE MANNER BY LICENSED CONTRACTORS.
- THE CONTRACTOR SHALL OBTAIN AT HIS EXPENSE ALL NECESSARY FEES PERMITS, AND TESTS.
- ALL WORK SHALL CONFORM TO ALL APPLICABLE LOCAL, STATE AND NATIONAL CODES. NO CONTRACTOR SHALL BID UNLESS FAMILIAR WITH THESE CODES.
- EQUIPMENT SHALL BEAR A U.L. OR OTHER RECOGNIZED LABEL, NAMEPLATES, WIRING DIAGRAMS, AND ENERGY RATINGS AS APPLICABLE.
- THE CONTRACTOR SHALL INSTALL ALL EQUIPMENT AND ACCESSORIES SO THAT IT IS READILY ACCESSIBLE FOR SERVICING, TESTING, BALANCING, AND REPLACEMENT.
- CORRECTION OF DEFECTS TO THIS WORK SHALL BE MADE PROMPTLY WITHOUT CHARGE TO THE OWNER. REPAIR AND REPLACEMENT FOR DAMAGE CAUSED BY THIS CONTRACTOR SHALL BE MADE PROMPTLY WITHOUT CHARGE TO THE OWNER.
- THE CONTRACTOR SHALL PROVIDE A WRITTEN GUARANTEE AGAINST DEFECTS IN ALL MATERIALS AND WORKMANSHIP FOR ONE YEAR FROM ACCEPTANCE WITH FOUR ADDITIONAL YEARS OF WARRANTY ON COMPRESSORS.
- THE CONTRACTOR SHALL PROVIDE THREE COPIES OF SUBMITTAL DATA, SHOP DRAWINGS, AND AT COMPLETION OF THE PROJECT TWO RED LINED PLANS SHOWING EXACT LOCATION AND SIZES OF ALL PROJECT ITEMS.
- THE CONTRACTOR SHALL FAMILIARIZE HIMSELF WITH THE REQUIREMENTS FOR A COMPLETE AND OPERABLE SYSTEM. HE SHALL INCLUDE ALL ITEMS REQUIRED FOR A COMPLETE AND OPERABLE SYSTEM. HE SHALL INCLUDE ALL SUB-CONTRACTORS AS REQUIRED TO PERFORM FIRST CLASS AND CODE ACCEPTABLE (ELECTRICAL, TESTING AND BALANCING, INSULATION, CEILING) REQUIRED FOR A COMPLETE AND OPERABLE SYSTEM.
- NOT USED
- PRIOR TO ACCEPTANCE BY THE OWNER THE SYSTEMS SHALL BE TESTED AND BALANCED BY A CERTIFIED T&B CONTRACTOR EXPERIENCED WITH THIS SYSTEM. THE CONTRACTOR SHALL CERTIFY THE TESTING AND BALANCING AND PROVIDE BALANCE TEST SHEETS.
- ALL OUTSIDE AIR DUCTWORK SHALL BE SHEETMETAL.
- AIR BALANCE TO BE PERFORMED BY THE AIR CONDITIONING CONTRACTOR TO THE OWNER'S COMFORT.
- ALL SUPPLY & RETURN DUCT WORK SHALL BE FIREBOARD INSTALLED IN ACCORDANCE WITH SMACNA STANDARDS AND LOCAL BUILDING CODES.
- PROVIDE ALL CONTROLS, STARTERS, CONTROL WIRING, DISCONNECTS, AND OTHER ELECTRICAL EQUIPMENT AS REQUIRED FOR A COMPLETE AND OPERATIONAL SYSTEM. MECHANICAL CONTRACTOR IS TO COORDINATE WITH OTHER CONTRACTORS TO ENSURE THAT ALL ITEMS REQUIRED ARE INCLUDED IN BID.
- COORDINATE POWER & CONTROL WIRING WITH ELECTRICIAN.
- FLEXIBLE DUCT, WHERE SHOWN, SHALL BE U.L. CLASS 1. W/1" INSULATION WITH VAPOR BARRIER
- ALL GRILLES TO BE TITUS UNLESS OTHERWISE NOTED, SIZES AS SHOWN ON PLANS, ALUMINUM CONSTRUCTION.
- PLANS ARE DIAGRAMMATICALLY DRAWN, DO NOT SCALE FOR INSTALLATION.
- ALL EXHAUST AIR DUCT SHALL BE GALVANIZED SHEET METAL CONSTRUCTED AND INSTALLED IN ACCORDANCE WITH ASHRAE AND SMACNA STANDARDS.
- ALL DUCT SIZES ARE CLEAR INSIDE DIMENSIONS.
- ALL WORK OF THIS TRADE SHALL BE COORDINATED WITH ALL OTHER TRADES TO AVOID ANY INTERFERENCES THAT MAY DELAY PROGRESS OF CONSTRUCTION.
- COORDINATE LOCATION OF CEILING DIFFUSERS, GRILLES AND REGISTERS IN THE FIELD WITH LIGHTS AND ARCHITECTURAL ELEMENTS.
- SUPPLY AND RETURN DUCTWORK IS FIBERGLASS DUCTBOARD, R-6.
- PROVIDE ELBOW TURNING VANES IN ALL DUCTS WHERE TURNS ARE GREATER THAN 45 DEGREES.
- PROVIDE BACKDRAFT DAMPERS FOR ALL EXHAUST FANS.
- SEE PLUMBING PLANS FOR CONDENSATE SPECIFICATIONS.
- THE HVAC CONTRACTOR IS RESPONSIBLE FOR MAINTAINING, ON SITE, A DETAILED AS-BUILT PLAN SHOWING ACTUAL INSTALLATIONS. THE CONTRACTOR SHALL PROVIDE A NEATLY DRAWN COMPREHENSIVE AS-BUILT SET OF PLANS UPON COMPLETION, WHICH ARE SUITABLE FOR SUBMISSION TO THE BUILDING DEPARTMENT AND TO THE OWNER.



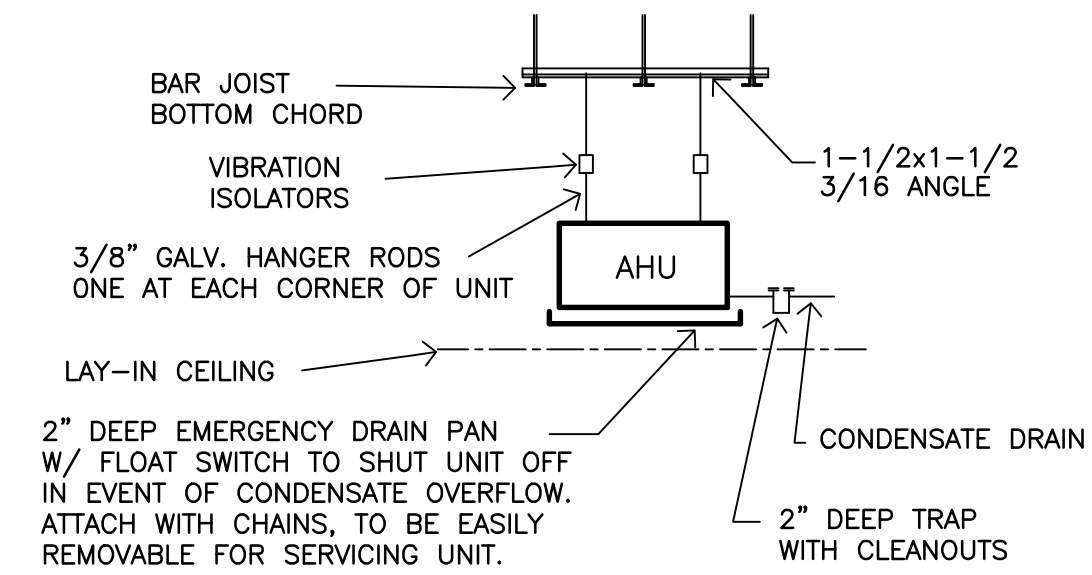
TYP. FLEXIBLE DUCT DETAIL  
N.T.S.

## FLEXIBLE DUCT NOTES

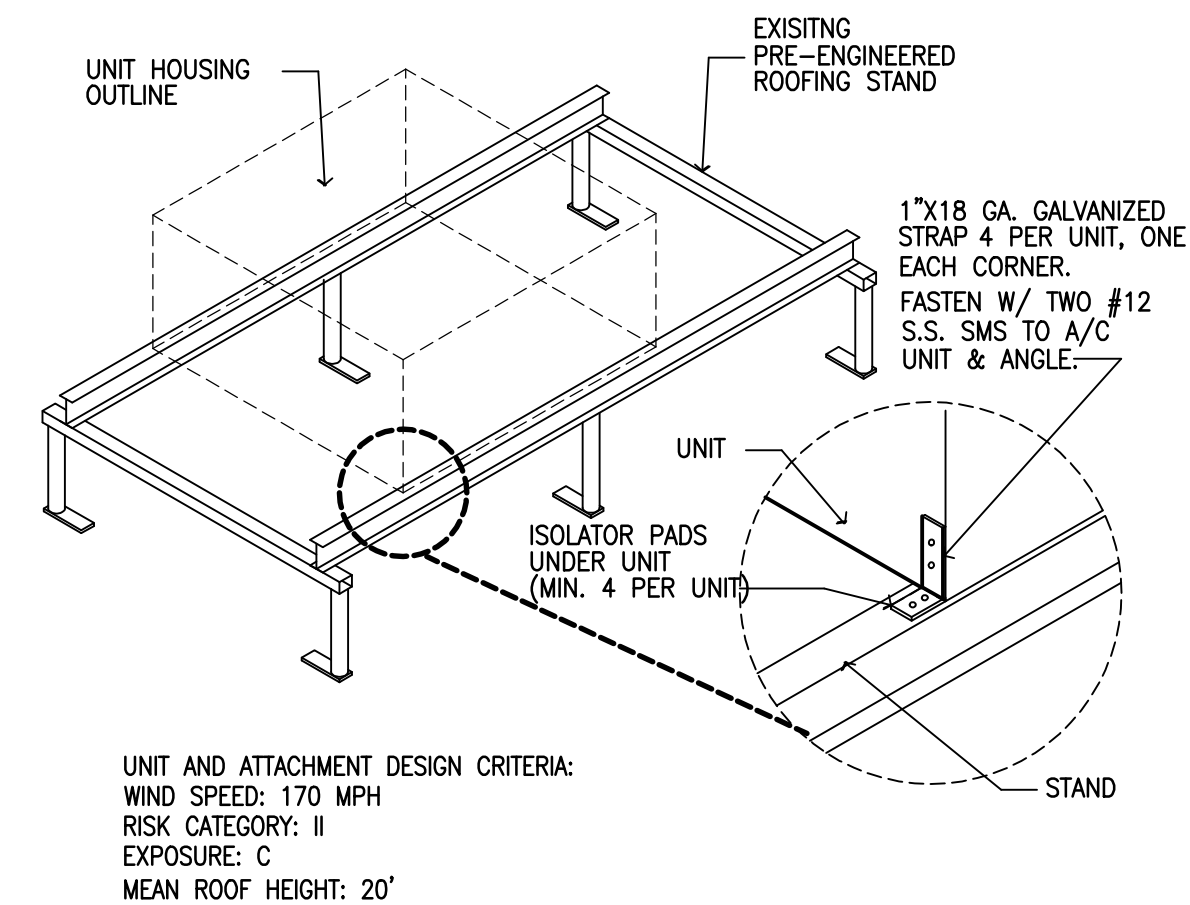
- FLEXIBLE DUCTS SHALL BE ONE-PIECE AND SHALL NOT BE SPLICED TOGETHER.
- EXTEND FLEXIBLE DUCT INSULATION TO DUCT/DIFFUSER PANEL INSULATION AND SEAL WITH MASTIC.
- MINIMUM 1 1/2" WIDE 22 GALVANIZED STRAP HANGER WITH HEMMED EDGES PER SMACNA, FIGURE 3-10
- FLEXIBLE AIR DUCT SHALL BE FULLY EXTENDED AND NOT COMPRESSED WITH ELBOW RADIUS NO LESS THAN R/D = 1.0.

## Note for Exam Rooms and Dr. Office:

PROVIDE EXTRA SUPPLY AND RETURN FLEX AND COIL LOOSELY 360° BETWEEN TAKEOFF AND REGISTER

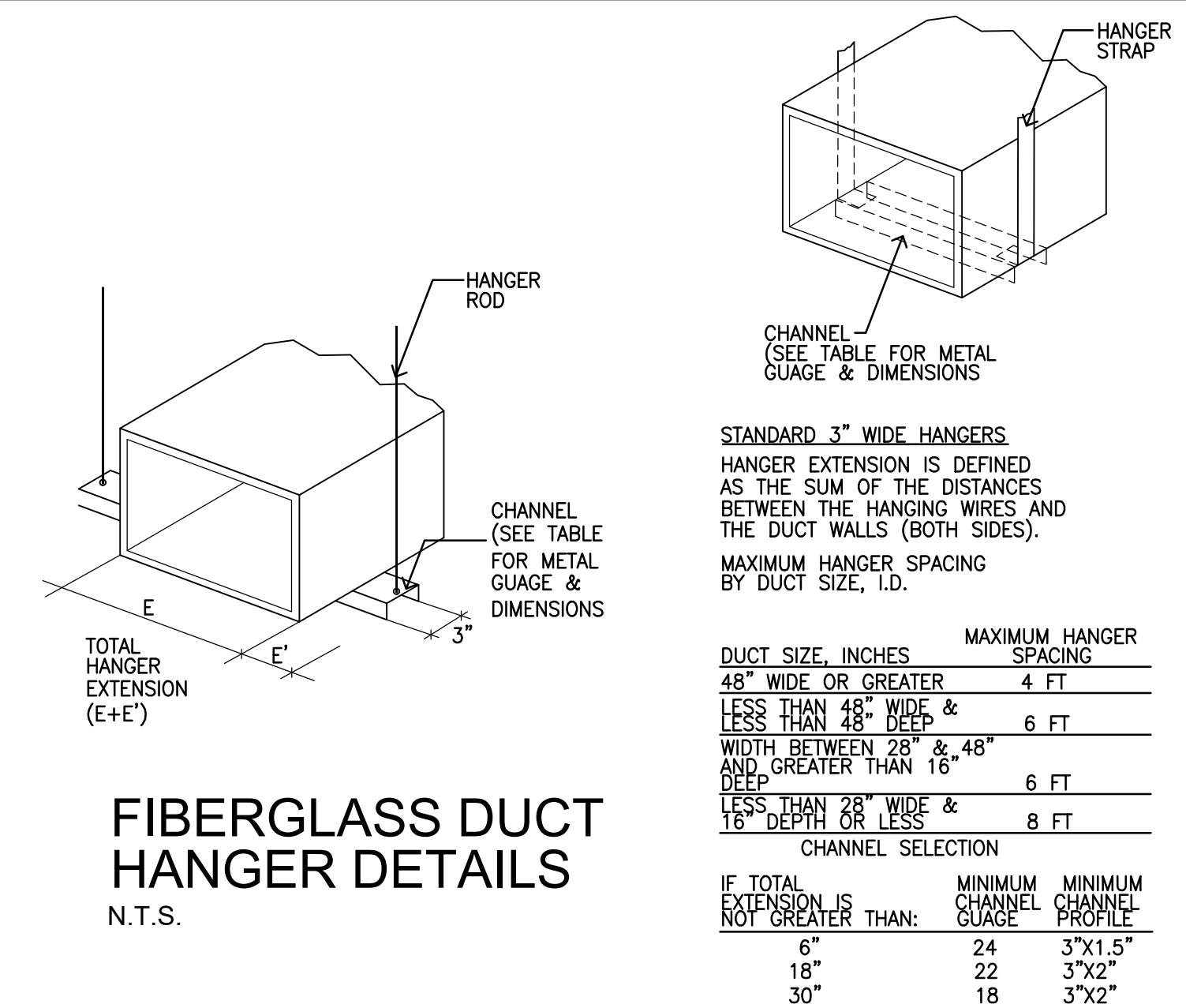


HORIZONTAL AHU INSTALLATION  
N.T.S.

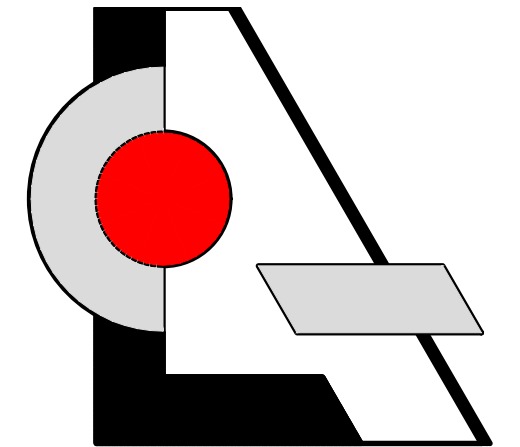


UNIT AND ATTACHMENT DESIGN CRITERIA:  
WIND SPEED: 170 MPH  
RISK CATEGORY: II  
EXPOSURE: C  
MEAN ROOF HEIGHT: 20'

CU MOUNTING DETAIL  
N.T.S.



FIBERGLASS DUCT HANGER DETAILS  
N.T.S.



LCA AA 003432

Architecture, Inc.  
1975 Sansbury's Way  
Suite 108  
West Palm Beach, FL 33411

Phone: (561) 493-4787  
Fax: (561) 493-4786

## REVISIONS / DATE

NO.	DESCRIPTION	DATE

Interior Improvement for  
Advantone Florida, Inc.  
855 SW 78th Ave. - Atrium "C" - Suite #202  
Plantation, Florida 33324

LES LAW A. CZACZYK AIA

AR 00015391

PROJ. NO. 16180.well

DESIGNED BY LAC

DRAWN BY MSB

DATE 07/25/16

SCALE AS SHOWN

HVAC  
DETAILS