



2709 Rocky Point Dr. 201 T 813 + 281 9299
 Tampa, Florida 33607 USA F 813 + 281 9292
 License No AAC001935 **apiplus.com**

○
○
○
○
○
○
○
○
○
○

BULLETIN LOG



**WESTLAKE VISITOR
 CENTER**
 CITY OF WESTLAKE
 PALM BEACH COUNTY, FLORIDA

ISSUE DATE: - 09-30-16
 ISSUED FOR:
 PERMIT - BUILDING SHELL ONLY
 ©AS DATED ARCHITECTURE PLUS INTERNATIONAL, INC.

△
△
△
△
△
△
△
△
△

REVISION LOG

STATE REGISTRATIONS

FL #AAC001935 NC #8581
 SC #6109 GA #10079
 TN #00102675

Juan F. Romero AIA License No. AP00007793
TO THE BEST OF HIS KNOWLEDGE OF THE PROJECTS AND ENGINEER'S SAID PLANS AND SPECIFICATIONS COMPLY WITH THE APPLICABLE MICHIGAN BUILDING CODES AND THE APPLICABLE MICHIGAN FIRE SAFETY STANDARDS.

**WESTLAKE VISITOR
 CENTER**
 PROJECT NAME

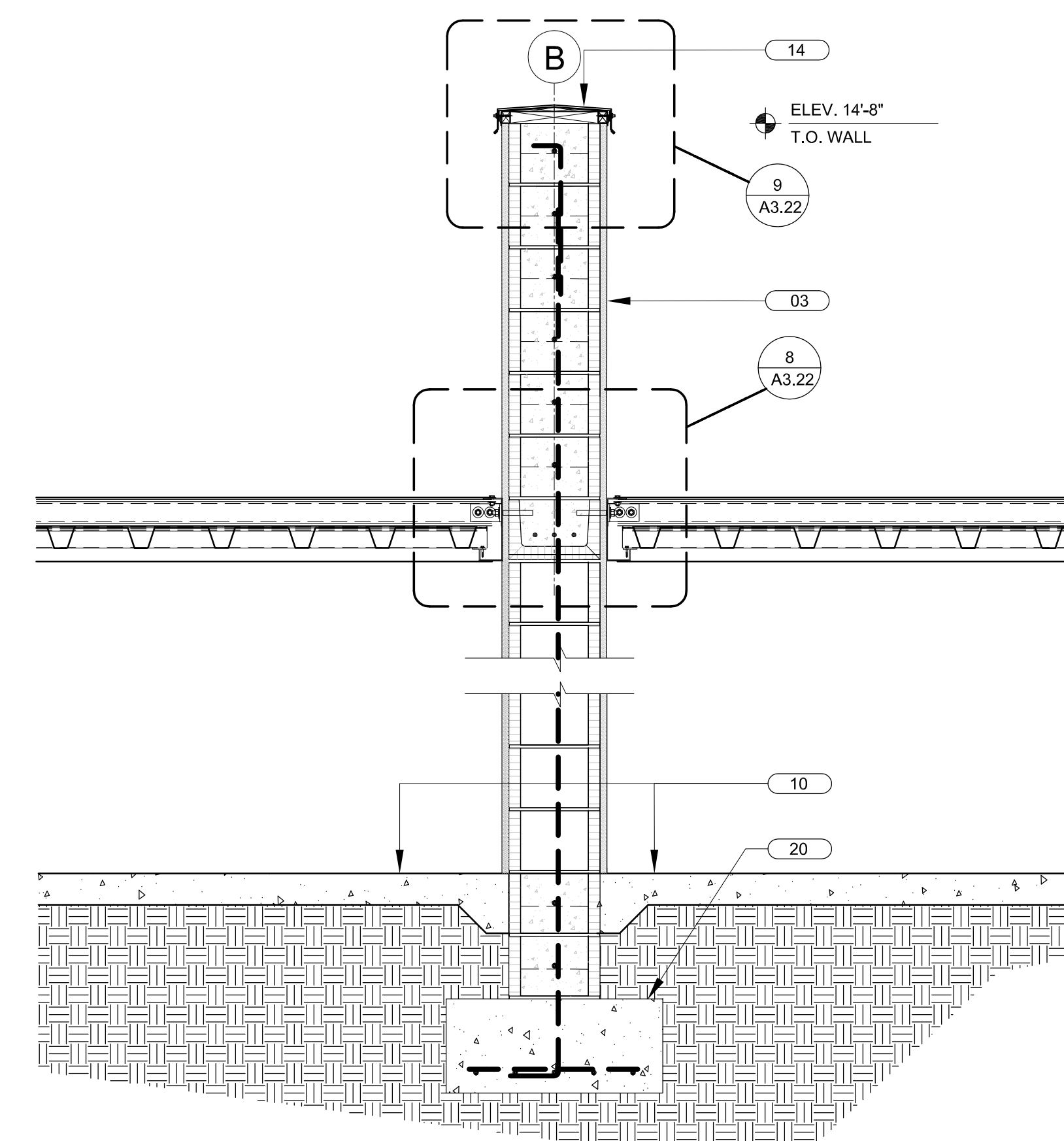
WALL SECTIONS
 SHEET NAME

PROJECT NUMBER: 2016.037
 DRAWN BY: DF/CV CHECKED BY: TM/PC
 SCALE:

A3.15
 SHEET NUMBER

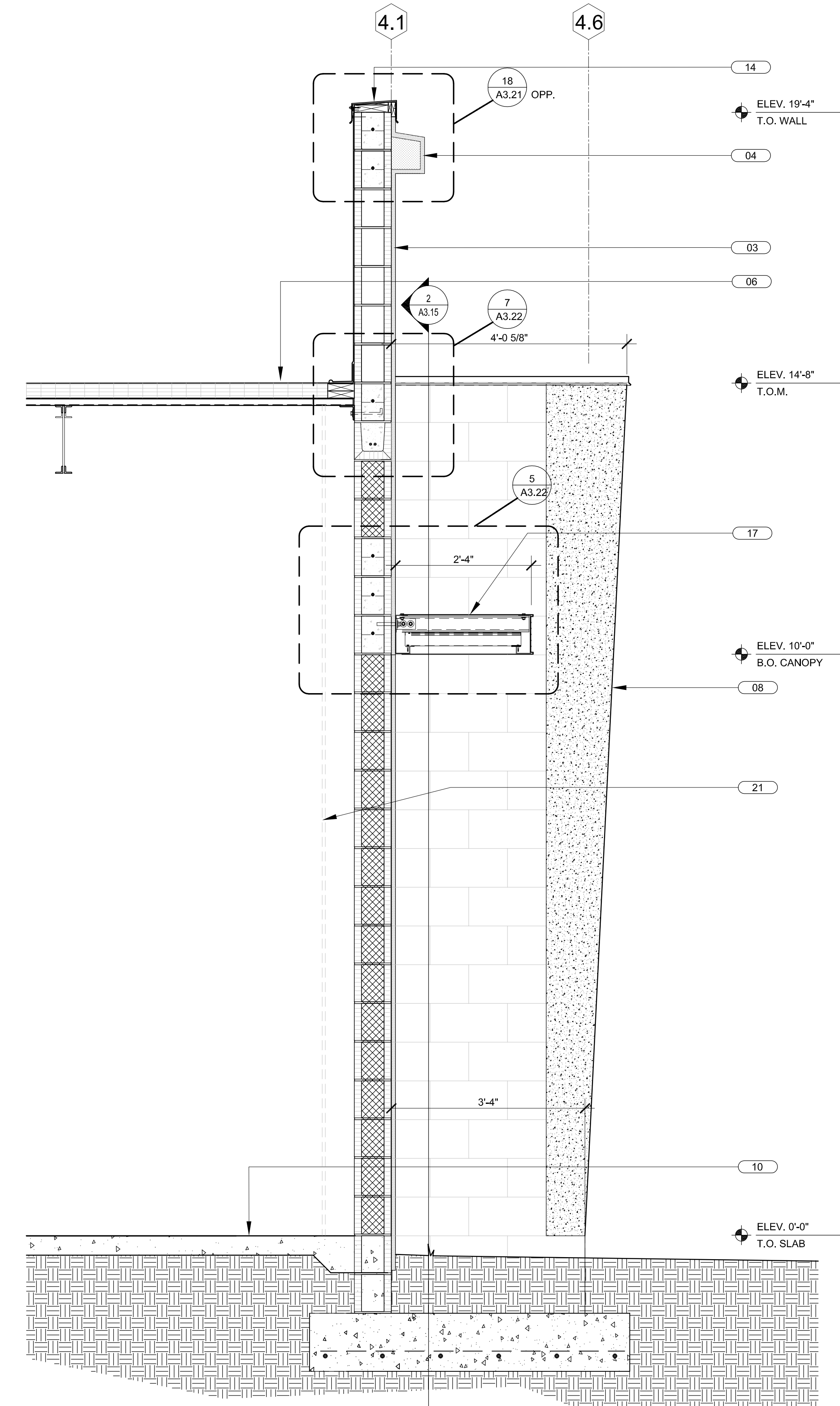
- KEYED NOTES**
- 01 CURTAIN WALL GLAZING SYSTEM BY "KAWNEER" OR EQUAL.
 - 02 10" KAWNEER VERSOLEIL LOUVERS ATTACHED TO PRIMED/PAINTED 4X4 GALV. STEEL POSTS, TYPICAL.
 - 03 3" STUCCO ON GALV. P.B. MTL. LATH ON 15# FELT ON 8" CMU
 - 04 STUCCO ON FOAM TRIM ACCENT BAND
 - 05 PVC DOWNSPOUT CONCEALED IN BUTTRESS. CONNECT TO STORM DRAIN SYSTEM-SEE CIVIL DWG'S
 - 06 TPO ROOFING SYSTEM ON TAPERED INSULATION ON GALV. MTL. DECK
 - 07 STRUCTURAL BEAM-SEE STRUCL DWG'S
 - 08 CORBEL LEADING EDGE OF MASONRY BUTTRESS & FORM GROUT AS SHOWN
 - 09 METAL STUD JOIST FRAMING-SEE STRUCL DWG'S
 - 10 SCHED. FLOOR FINISH ON REINF. CONC. SLAB-SEE STRUCL DWG'S
 - 11 PAVERS / CONC. WALKWAY-SEE CIVIL DWG'S
 - 12 3" STUCCO ON GALV. P.B. MTL. LATH ON 15# FELT ON 7" DENSGLOSS GOLD SHEATHING
 - 13 STUCCO BUTTRESS BEYOND
 - 14 PRE-MFG'D ANOD. ALUMINUM COPING CAP-W/ P.T. NAILER
 - 15 PRE-ENGINEERED STEEL ROOF TRUSS-SEE STRUCTURAL DRAWINGS
 - 16 0.040" PRE-FINISHED ALUMINUM GUTTER. SEE DETAILS FOR MORE INFORMATION.
 - 17 PRE-ENGINEERED GALV. PAINTED MTL. CANOPY (BY OTHERS)
 - 18 SURFACE MOUNTED WALL SCOSCE. PROVIDE J-BOX-SEE ELEVATIONS AND SECTIONS. TYPICAL (SEE ELECTRICAL DRAWINGS)
 - 19 EXTERIOR LED SOFFIT LIGHT FIXTURE TYPICAL-SEE ELECTRICAL DRAWINGS
 - 20 SEE STRUCTURAL DRAWINGS FOR FOUNDATIONS, CLIP ANGLES, LEDGERS, KNOCK-OUT BLOCKS, LINTELS, FILLED CELLS, ANCHORAGE AND REINFORCEMENT.
 - 21 DASHED LINE AT INTERIOR OF EXTERIOR WALL DENOTES FUTURE 5/8" GWB ON 6" GALV. METAL STUD FURRING WITH 5-1/2" BATT INSULATION (R-19 NOMINAL) TO BE INSTALLED AS PART OF TENANT BUILD-OUT (N.I.C. FOR SHELL CONTRACT), TYPICAL.
 - 22 3"x8" PRE-ENGINEERED ALUMINUM STRUCTURAL SUPPORT BRACE ASSEMBLY, PRIME & PAINT. SEE DETAIL 3/A3.13 & STRUCTURAL DRAWINGS FOR MORE INFORMATION. TYPICAL.
 - 23 SIGNAGE (BY OTHERS) PROVIDE J-BOX-SEE ELECTRICAL DRAWINGS.

KEY NOTES SCALE NTS 3



NOT USED SCALE NTS 3

WALL SECTION SCALE 3/4" = 1'-0" 2



WALL SECTION SCALE 3/4" = 1'-0" 1