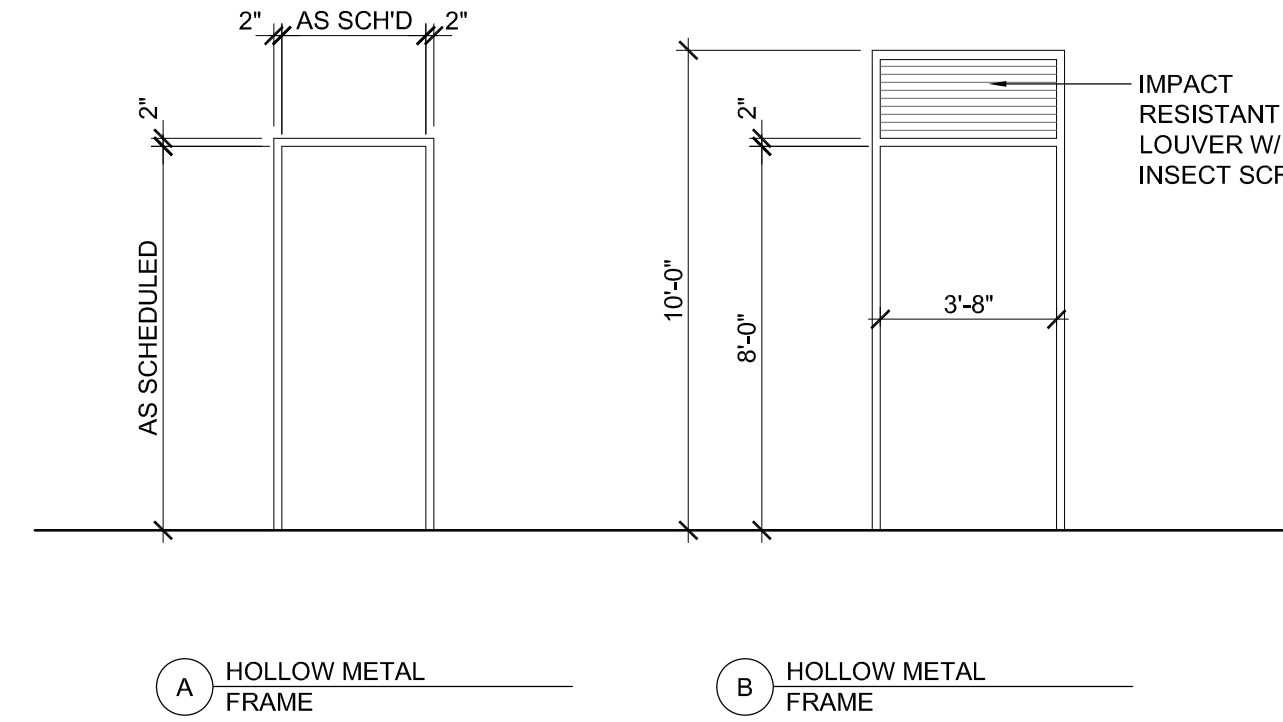


1 ALUMINUM STOREFRONT DOUBLE DOORS 2 ALUMINUM STOREFRONT DOOR 3 HOLLOW METAL DOOR

DOOR TYPES SCALE 1/4"=1'-0" 1



A HOLLOW METAL FRAME B HOLLOW METAL FRAME

FRAME TYPES SCALE 1/4"=1'-0" 2

DOOR & FRAME SCHEDULE

DOOR NO.	ROOM NAME	DOOR				FRAME				GLAZING	HWR GROUP	REMARKS
		SIZE W X H X T	MAT	TYPE	DETAILS	MAT	TYPE	SILL	JAMB			
101	VISITOR CENTER	PR 3'-0" X 8'-0" X 1 3/4"	AL/GL	1	-	-	-	AL	§5	-	-	GLAZING TO MATCH STOREFRONT
103	VISITOR CENTER	3'-0" X 8'-0" X 1 3/4"	AL/GL	2	-	-	-	AL	§6	-	-	GLAZING TO MATCH STOREFRONT
117A	VISITOR CENTER	3'-0" X 8'-0" X 1 3/4"	AL/GL	2	-	-	-	AL	§12	-	-	GLAZING TO MATCH STOREFRONT
117B	VISITOR CENTER	3'-0" X 8'-0" X 1 3/4"	AL/GL	2	-	-	-	AL	§13	-	-	GLAZING TO MATCH STOREFRONT
119	VISITOR CENTER	3'-0" X 8'-0" X 1 3/4"	AL/GL	2	-	-	-	AL	§11	-	-	GLAZING TO MATCH STOREFRONT
129	VISITOR CENTER	3'-0" X 8'-0" X 1 3/4"	AL/GL	2	-	-	-	AL	§3	-	-	GLAZING TO MATCH STOREFRONT
133	UTILITY	3'-8" X 8'-0" X 1 3/4"	HM	4	-	-	-	HM	B	-	-	-

DOOR NOTES:
 1. ALL EXTERIOR DOORS SHALL COMPLY W/ F.B.C. 1707.4.5.4 FOR 1.5 TIMES THE DESIGN WIND LOAD.
 2. INSTALL WEATHER STRIPPING AND DOOR SWEEP ON DOORS IN A MANNER TO INSURE THAT DOOR JAMBS ARE WEATHER TIGHT AND LIGHT TIGHT ALONG ALL FOUR EDGES. ALL DOOR FRAMES SHALL BE FASTENED AS OUTLINED IN THE NOTICE OF ACCEPTANCE (NOA) FROM THE MIAMI-DADE PRODUCT CONTROL DIVISION. (AND/OR FLORIDA PRODUCT APPROVAL AS APPLICABLE)
 3. MASTER KEY ENTIRE COMPLEX. STOREFRONT DOOR AND REAR EGRESS DOORS TO BE KEYPED ALIKE. COORDINATE KEYING WITH OWNER.
 4. SEE STOREFRONT SCHEDULES AND ELEVATIONS FOR ALUMINUM DOOR FRAME INFORMATION

GROUP A - STOREFRONT ENTRY

HARDWARE	QUANTITY	MANUFACTURER	MODEL	FINISH	NOTES
HINGES	1 1/2 PR	STOREFRONT MFG	-	SEE NOTE	FINISH TO MATCH STOREFRONT / CURTAIN WALL
PUSH BAR (1" DIA. ROUND)	1 EA	STOREFRONT MFG	-	SEE NOTE	FINISH TO MATCH STOREFRONT / CURTAIN WALL
PULL (1" DIA. ROUND)	1 EA	STOREFRONT MFG	-	SEE NOTE	FINISH TO MATCH STOREFRONT / CURTAIN WALL
CLOSER	1 EA	NORTON	1601	SEE NOTE	FINISH TO MATCH STOREFRONT / CURTAIN WALL
THRESHOLD	1 EA	STOREFRONT MFG	-	SEE NOTE	MILL FINISH
WEATHERSTRIPPING	1 EA	STOREFRONT MFG	-	-	-
SWEEP	1 EA	STOREFRONT MFG	-	-	-

HARDWARE NOTES:
 1. ALL DOOR HARDWARE SHALL COMPLY WITH I.C. ACCESSIBILITY CHAPTER 553, PAR V, FLORIDA STATUTES. DOORS TO HAVE OPENING FORCE ≤ 5LBS.
 2. ALL LEVERS TO COMPLY W/ A.D.A. ACCESSIBILITY.
 3. ALL EGRESS DOORS SHAVE HAVE LEVER HANDLES.
 4. PROVIDE FLOORWALL STOPS AS REQUIRED.
 5. ANY HARDWARE NOT AVAILABLE IN FINISH NOTED ABOVE SHALL BE PROVIDED IN US28D626-652 OR US32D630. NOTIFY ARCHITECT

HOLLOW METAL DOOR
 BASIS OF DESIGN IS: CURRIES MODEL 707 FLUSH DOOR
 LARGE AND SMALL IMPACT RATED / INSULATED ASSEMBLY
 APPROVED FOR USE IN HVHZ
 18 GA FACE SKINS
 SHOP PRIMER OVER G90 GALVANIZED COAT
 FLORIDA PRODUCT APPROVAL FL8384-R3

HOLLOW METAL FRAME
 16 GA. MITERED AND WELDED (KD FRAMES WILL NOT BE ACCEPTED)
 LARGE AND SMALL IMPACT RATED
 APPROVED FOR USE IN HVHZ
 SHOP PRIMER OVER G90 GALVANIZED COAT
 AFTER INSTALLATION REPAIR SCRATCHES, RUST SPOTS AND DENTS PER MANUFACTURER'S RECOMMENDATIONS. DTM PRIME AND EPOXY PAINT.
 SEE STRUCTURAL DRAWINGS FOR COMPONENTS AND CLADDING REQUIREMENTS. DOOR SYSTEM AS REQUIRED TO RESIST PRESSURES INDICATED THERE-IN.

HARDWARE SET No. 1

QTY.	A	TYPE	DESCRIPTION	FINISH
3EA.		HINGES	BB1279 4 1/2" X 4 1/2" NRP	652
1EA.		EXIT DEVICE	4501 X RM X G	626
1EA.		EXIT TRIM	45CE X AUG	626
1EA.		MORTISE CYLINDER	3902	626
1EA.		CLOSER	5100 X HDHOS	689
1EA.		KICK PLATE	194S	630
1EA.		THRESHOLD	412S	MIL
1EA.		DRIP GUARD	810S	MIL
1EA.		DOOR SWEEP	720S	MIL
1SET		GASKETING	881S	MIL
1EA.		LATCH GUARD		

DOOR, FRAME & HARDWARE SCHEDULE

- STOREFRONT AND CURTAIN WALL MANUFACTURER TO FIELD VERIFY SIZES FOR FINAL SIZES AND INSTALLATION DETAILS.
- STOREFRONT WINDOW / DOOR AND CURTAIN WALL MANUFACTURER SHALL SUBMIT SIGNED & SEALED SHOP DRAWINGS TO ARCHITECT FOR FINAL APPROVAL. REFER TO SPECIFICATIONS FOR MORE INFORMATION.
- T= TEMPERED SAFETY GLAZING
- ALL EXTERIOR GLAZING TO BE LARGE MISSILE IMPACT RATED
- ALL EXTERIOR GLAZING TO BE AS SPECIFIED. REFER TO SPECIFICATIONS

GENERAL NOTES



2709 Rocky Point Dr. 201 T 813 + 281 9299
 Tampa, Florida 33607 USA F 813 + 281 9292
 License No AAC001935 apiplus.com



BULLETIN LOG



WESTLAKE VISITOR CENTER
 CITY OF WESTLAKE
 PALM BEACH COUNTY, FLORIDA

ISSUE DATE: - 09-30-16
 ISSUED FOR:
 PERMIT - BUILDING SHELL ONLY
 © AS DATED ARCHITECTURE PLUS INTERNATIONAL, INC.



REVISION LOG

STATE REGISTRATIONS

FL #AAC001935	NC #8581
SC #6109	GA #10079
TN #00102675	

Juan F. Romero AIA License No. AR000793

TO THE BEST OF THE KNOWLEDGE OF THE ARCHITECT AND ENGINEER, SAID PLANS AND SPECIFICATIONS COMPLY WITH THE APPLICABLE MINIMUM BUILDING CODES AND THE APPLICABLE MINIMUM SAFETY STANDARDS.

WESTLAKE VISITOR CENTER
 PROJECT NAME

DOOR SCHEDULE
 SHEET NAME

PROJECT NUMBER: 2016.037
 DRAWN BY: DE/CV CHECKED BY: TM/PC
 SCALE: AS NOTED

A7.11
 SHEET NUMBER