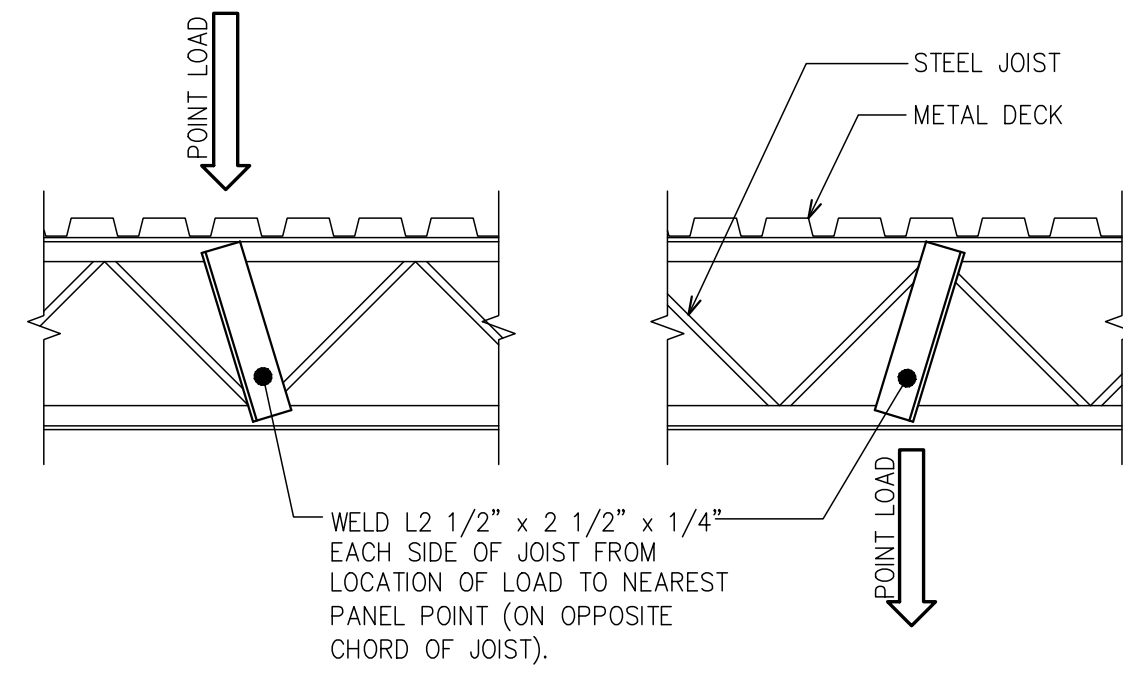


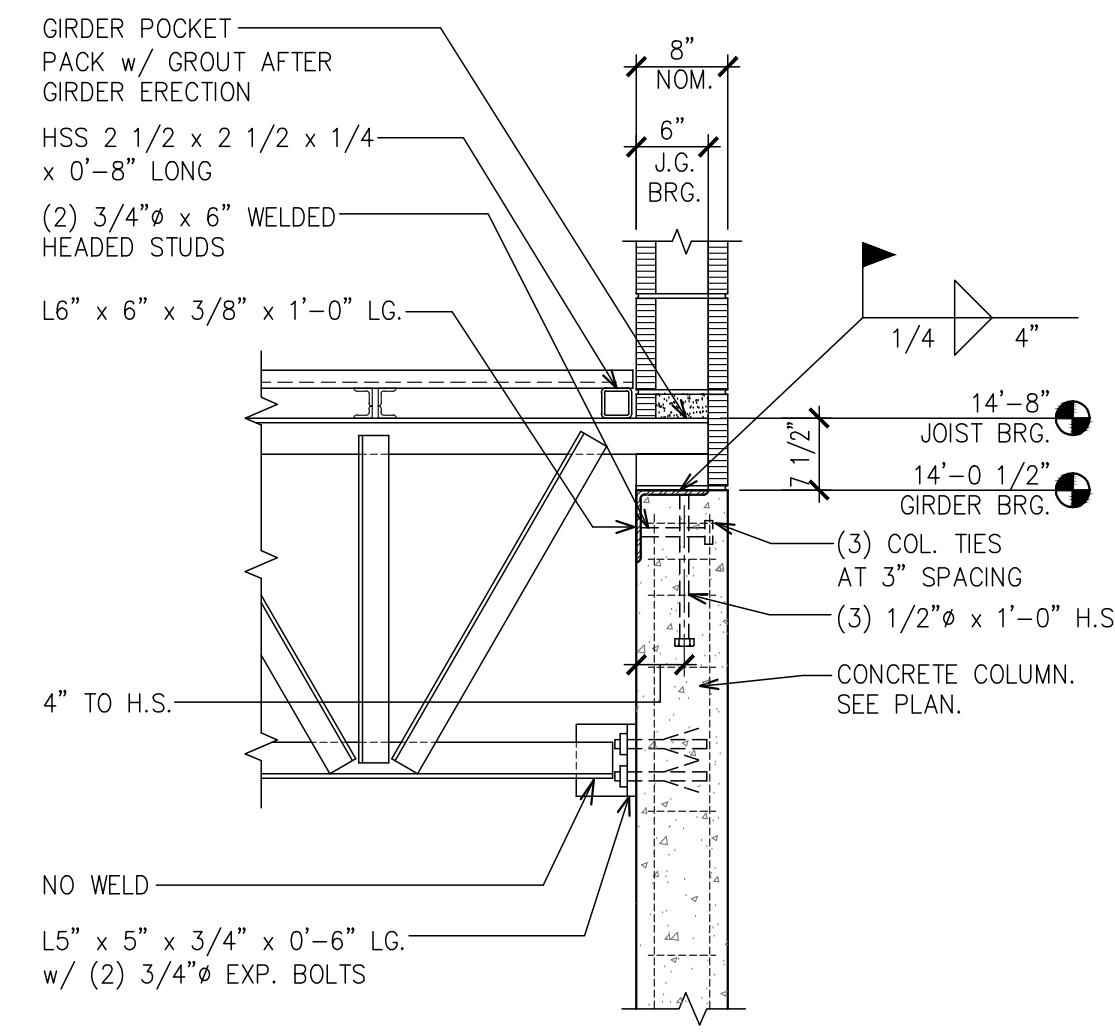
- NOTES:
1. MINIMUM DECK BEARING AT END SUPPORTS = 2 1/2"
  2. MINIMUM DECK LAP OVER SUPPORTS = 2"

1 METAL DECK ATTACHMENT  
NOT TO SCALE

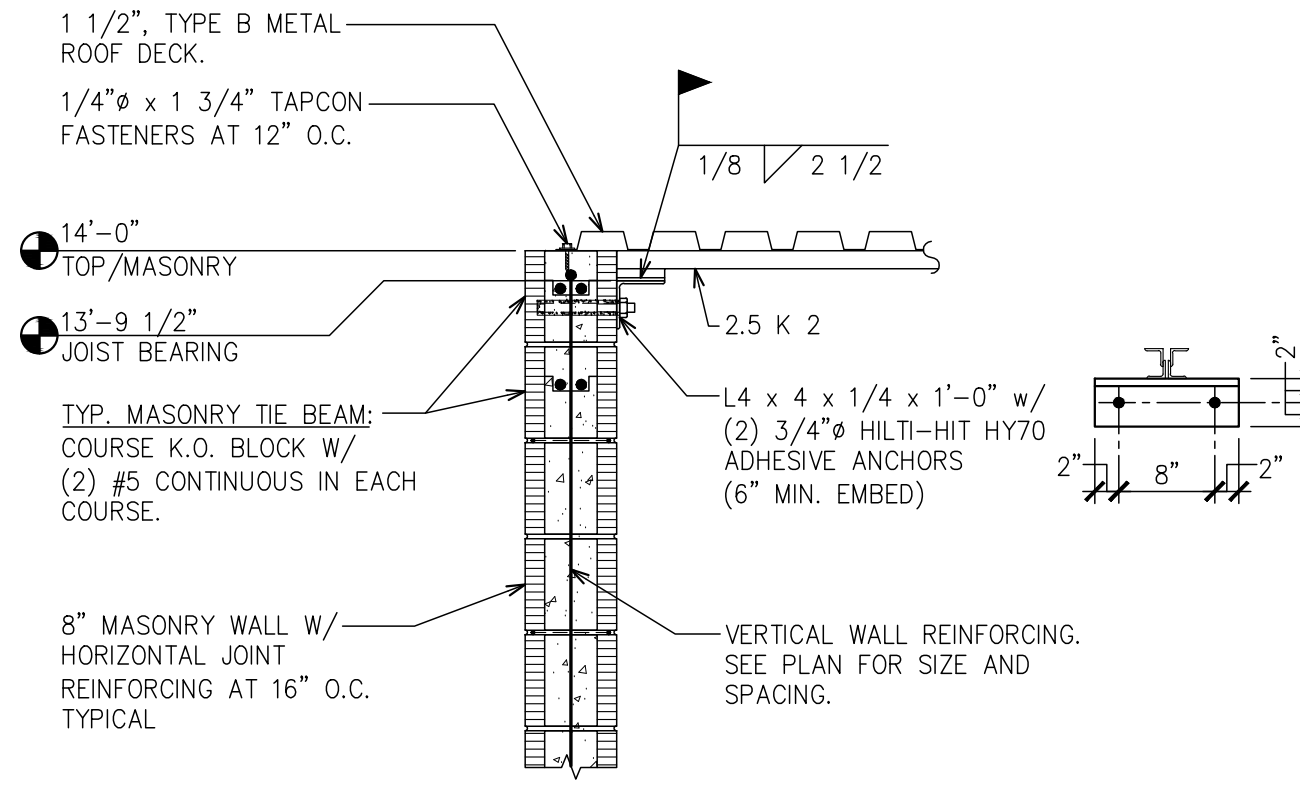


- NOTES:
1. STIFFENER REQUIRED WHERE POINT LOADS OCCUR BETWEEN JOIST PANEL POINTS.
  2. JOIST STIFFENERS NOT REQUIRED FOR POINT LOADS:
    - ≤ 100 LBS AT TOP CHORD
    - ≤ 100 LBS AT BOT. CHORD

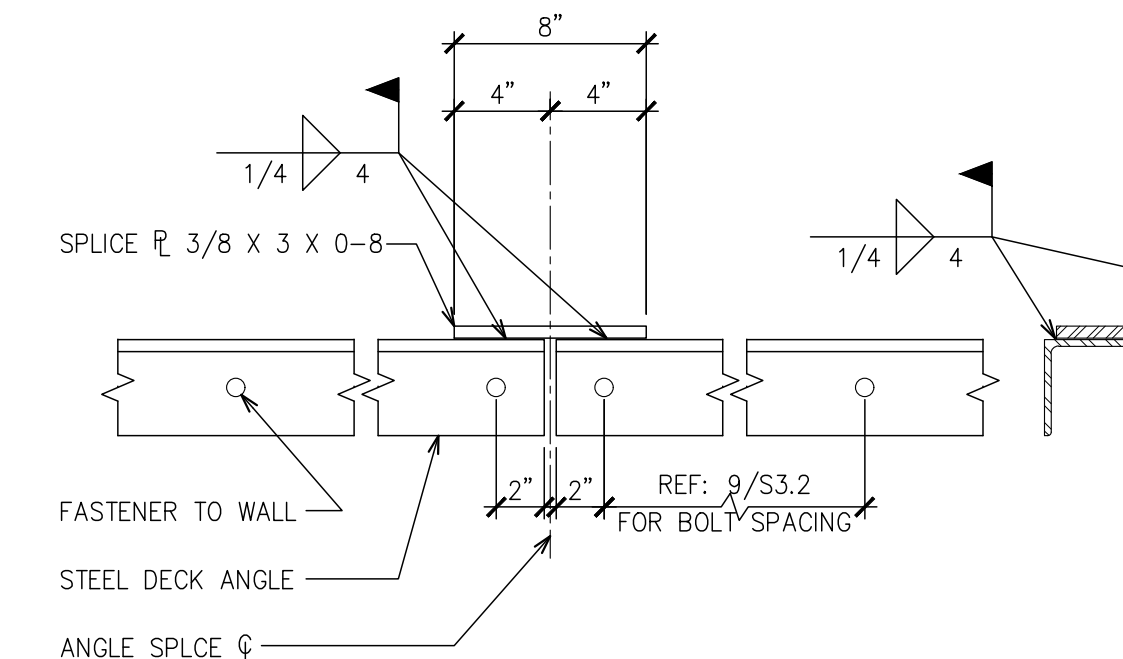
2 JOIST STIFFENER DETAIL  
NOT TO SCALE



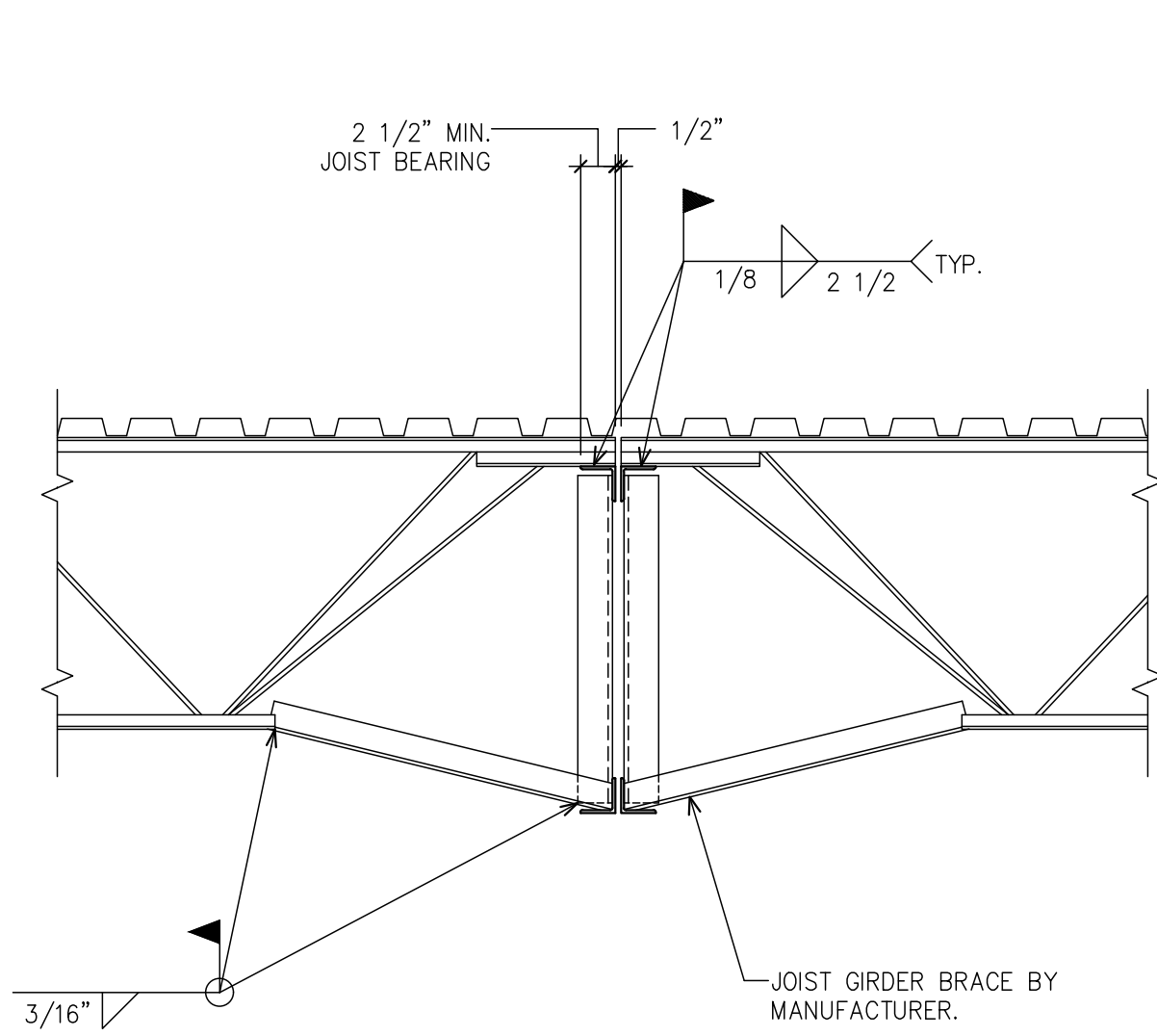
3 GIRDER TO CONCRETE COLUMN  
SCALE: 3/4\"/>



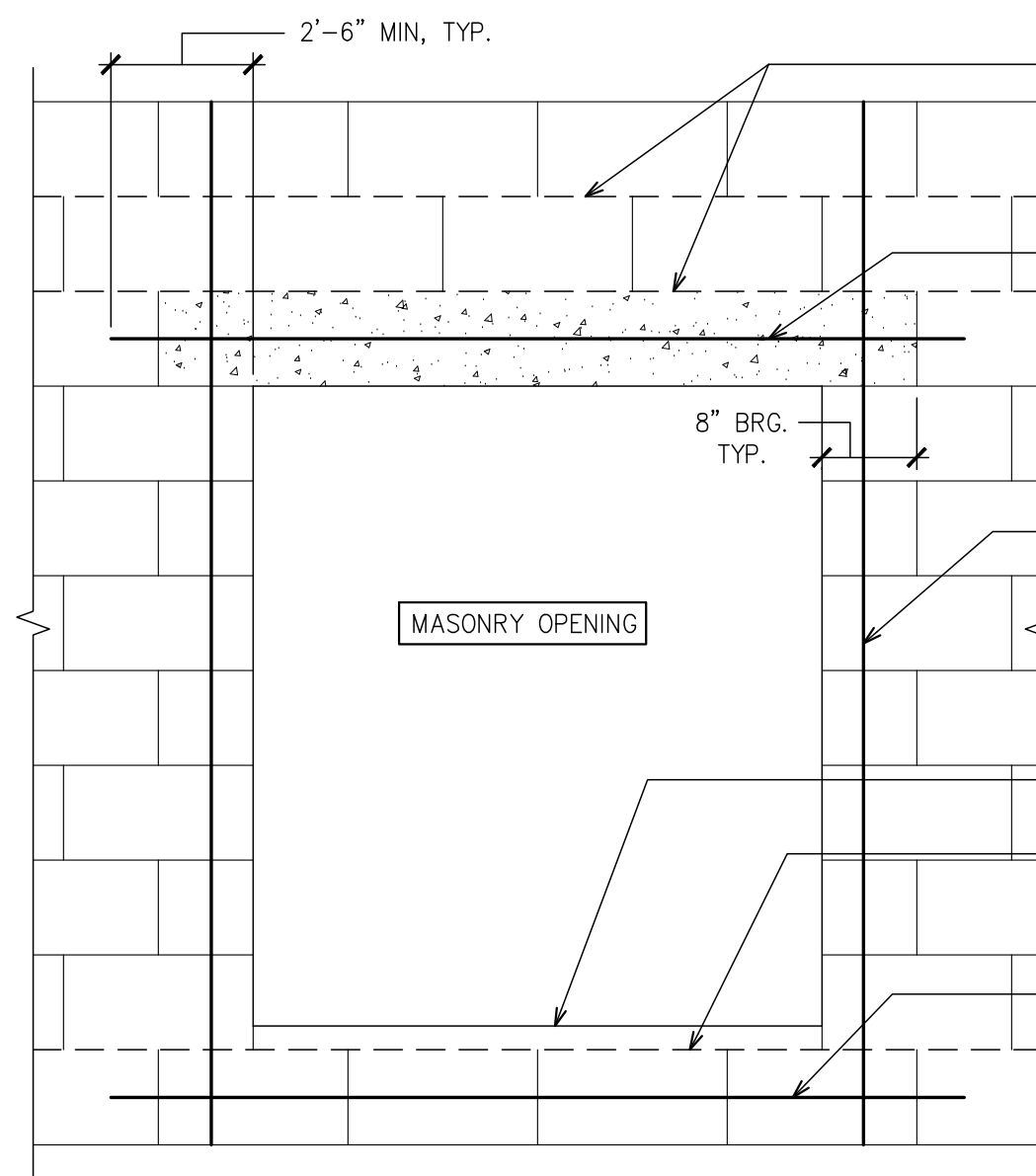
4 JOIST BEARING  
SCALE: 3/4\"/>



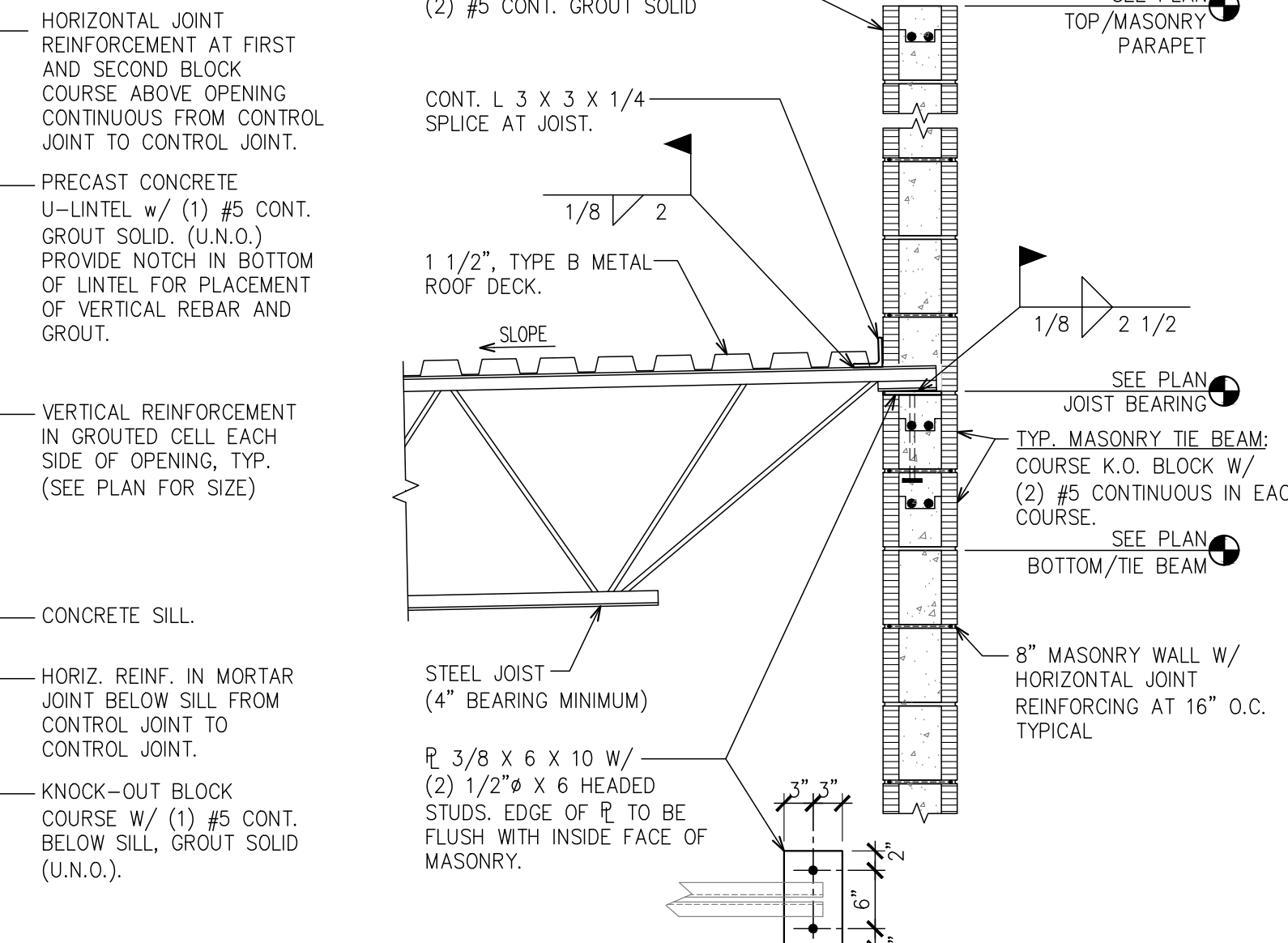
5 DECK ANGLE SPLICE  
SCALE: 1 1/2\"/>



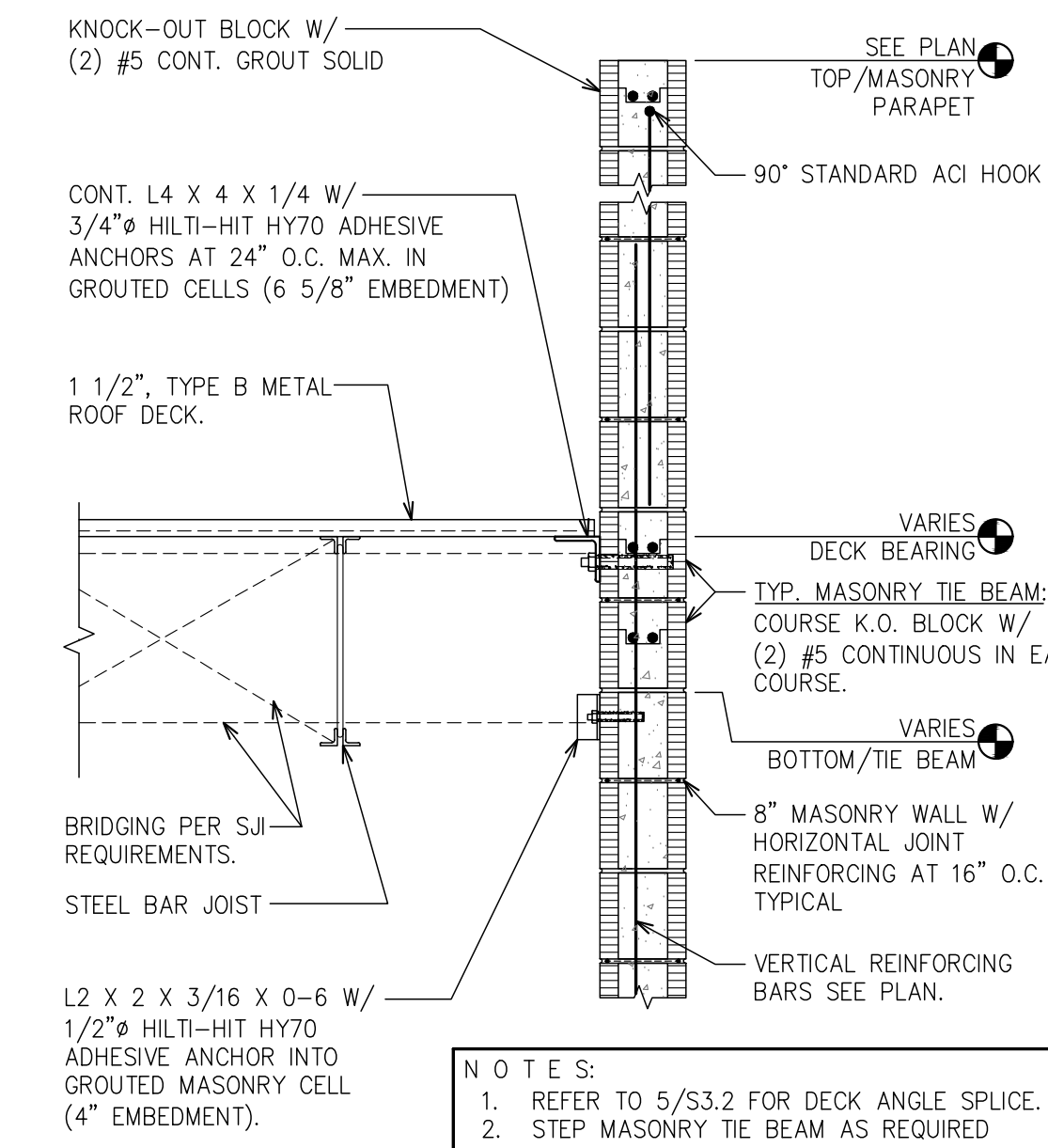
6 JOIST TO GIRDER  
SCALE: 3/4\"/>



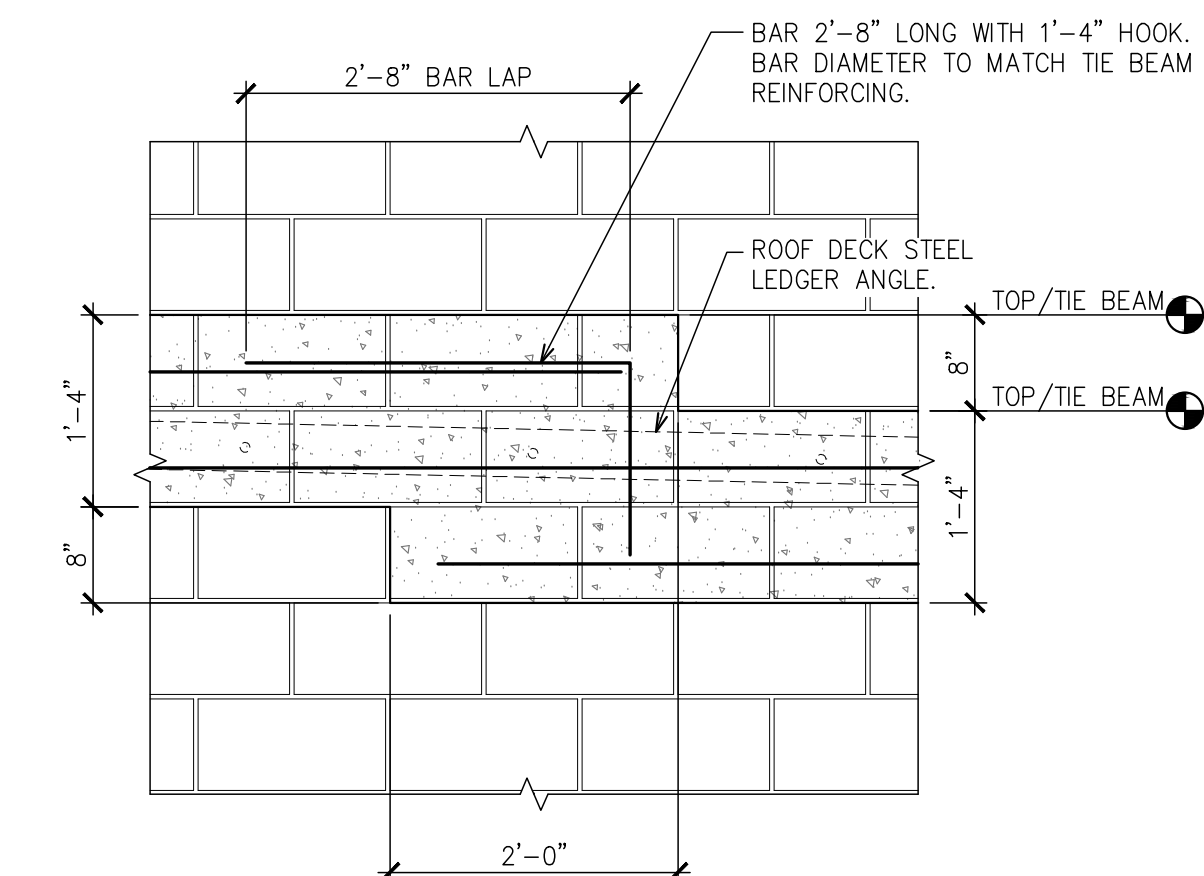
7 WALL ELEVATION AT OPENING  
SCALE: 3/4\"/>



8 JOIST BEARING  
SCALE: 3/4\"/>

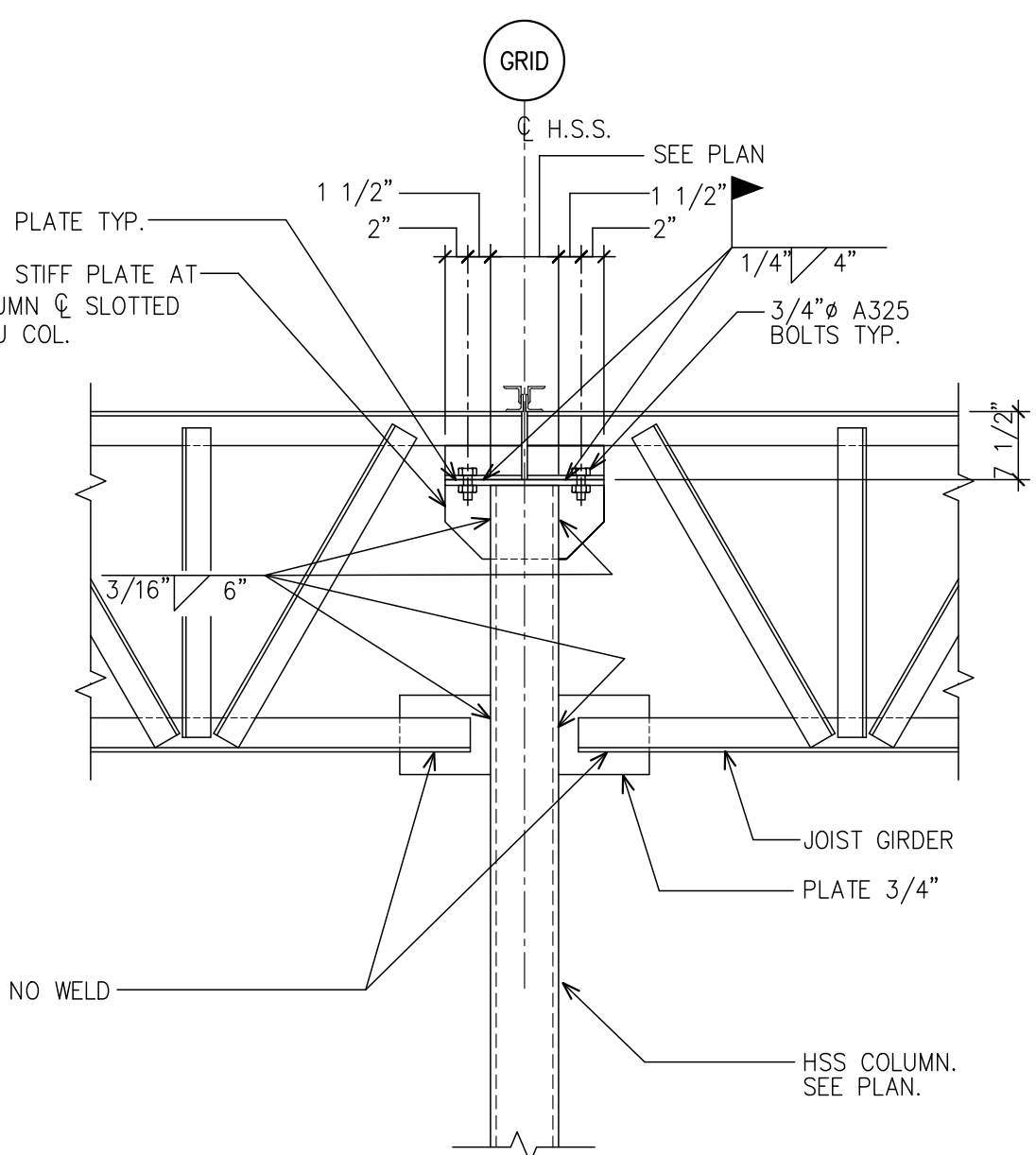


9 DECK BEARING  
SCALE: 3/4\"/>

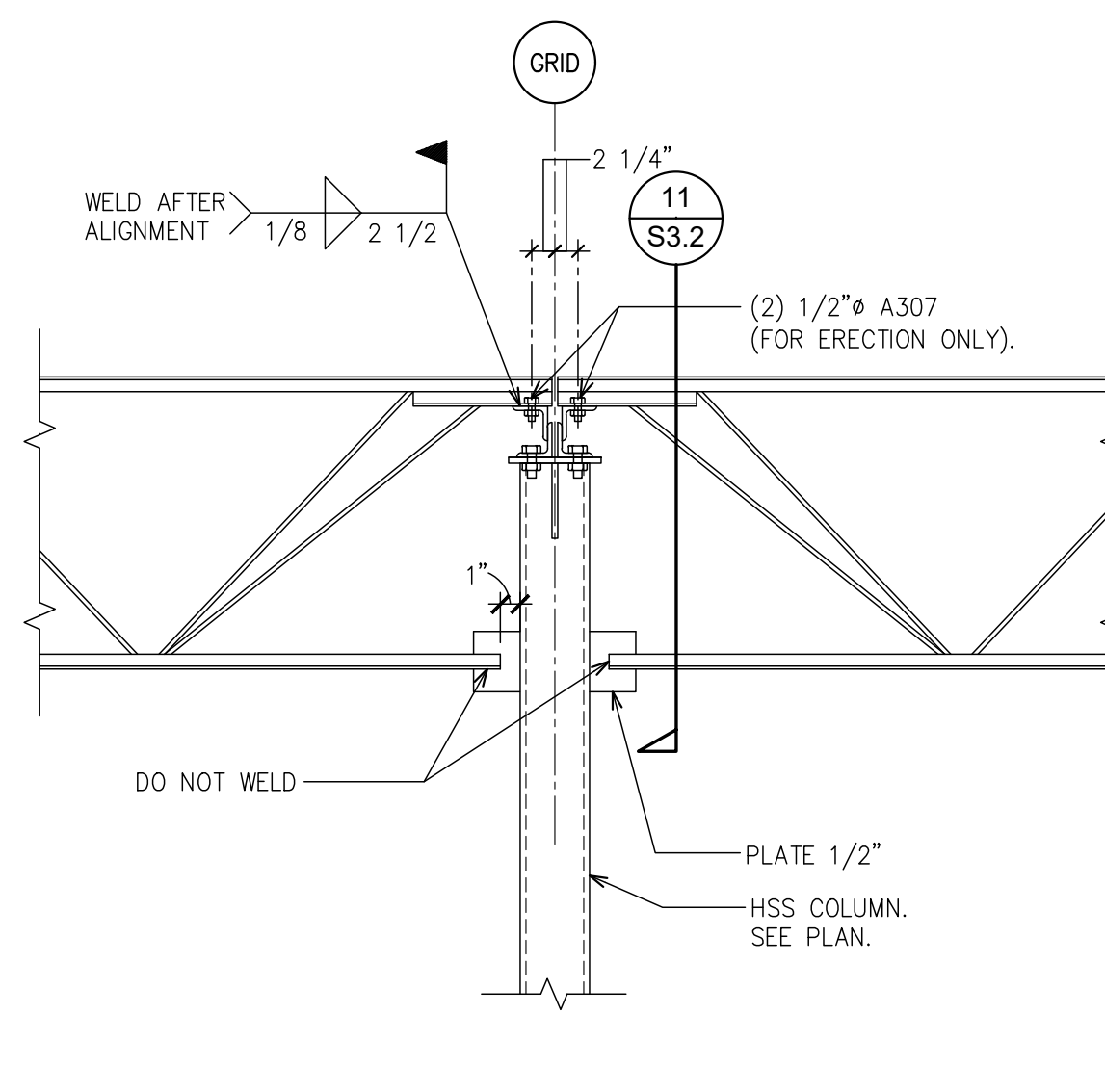


- NOTES:
1. TYPICAL MASONRY TIE BEAM SHALL BE (2) COURSE KNOCK-OUT BLOCK WITH (2) #5 CONTINUOUS IN EACH COURSE AND GROUTED SOLID.
  2. STEP TIE BEAM A MAXIMUM OF 8\"/>

10 MASONRY TIE BEAM - STEP  
NOT TO SCALE



11 GIRDER BEARING AT COLUMN  
SCALE: 3/4\"/>



12 JOIST TO COLUMN  
SCALE: 3/4\"/>



**WESTLAKE AUXILIARY SALES CENTER**  
CITY OF WESTLAKE  
PALM BEACH COUNTY, FLORIDA

ISSUE DATE: -- 09-30-16  
ISSUED FOR: PERMIT  
BUILDING SHELL ONLY


REVISION LOG

**EAG**  
PROFESSIONAL ENGINEERING, INC. B  
14912 Mellestia Avn Dr - Lutz, FL - 33558  
Ph: 813.963.1906 Fx: 813.489.4666  
Alan C. Guenther, P.E. #53308 / C.A. #26813

ALAN C. GUENTHER, PE #53308

**WESTLAKE AUXILIARY SALES CENTER**  
PROJECT NAME

**SECTIONS AND DETAILS**

SHEET NAME  
PROJECT NUMBER: 2016.082  
DRAWN BY: MAK CHECKED BY: ACC  
SCALE: SEE SHEET

**S3.2**  
SHEET NUMBER