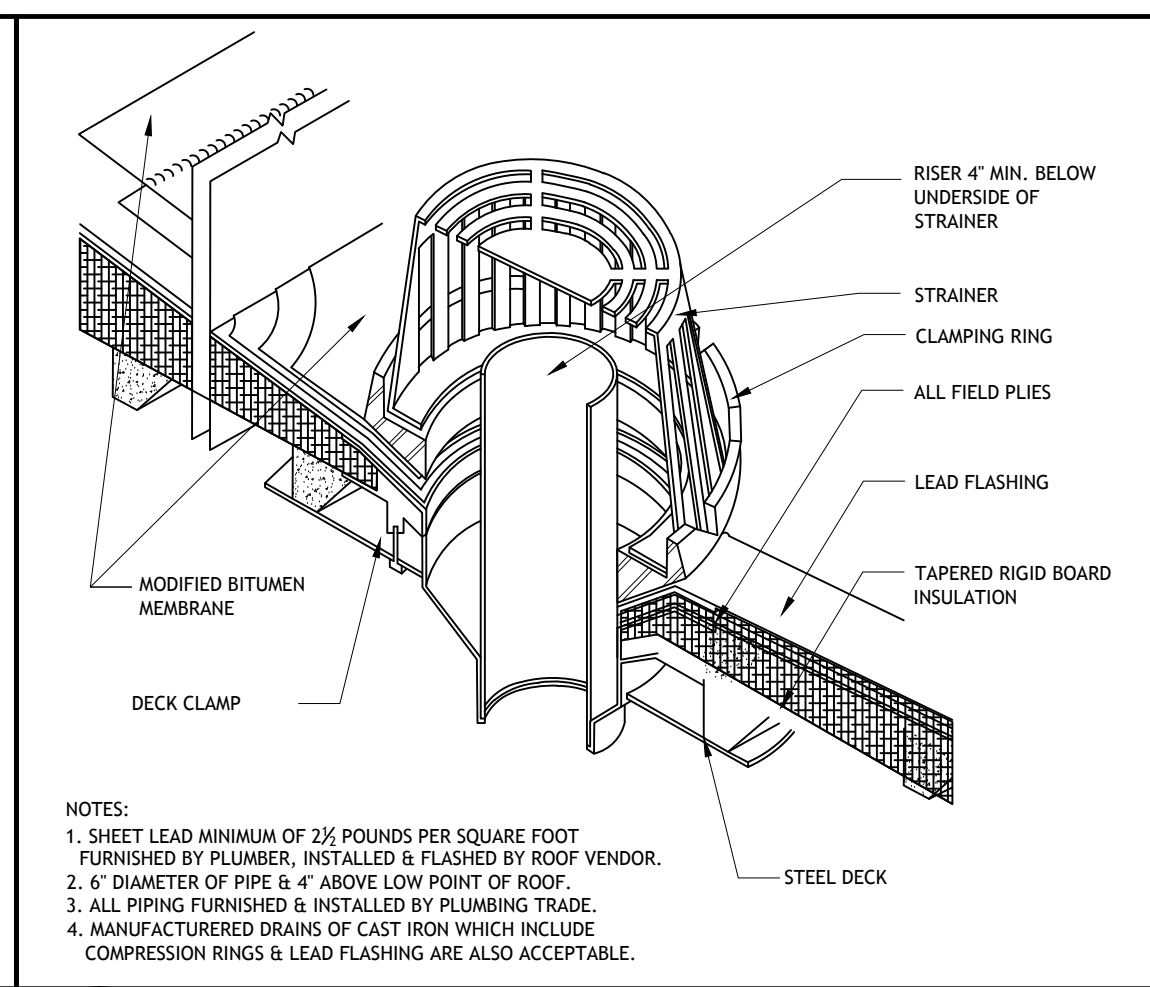
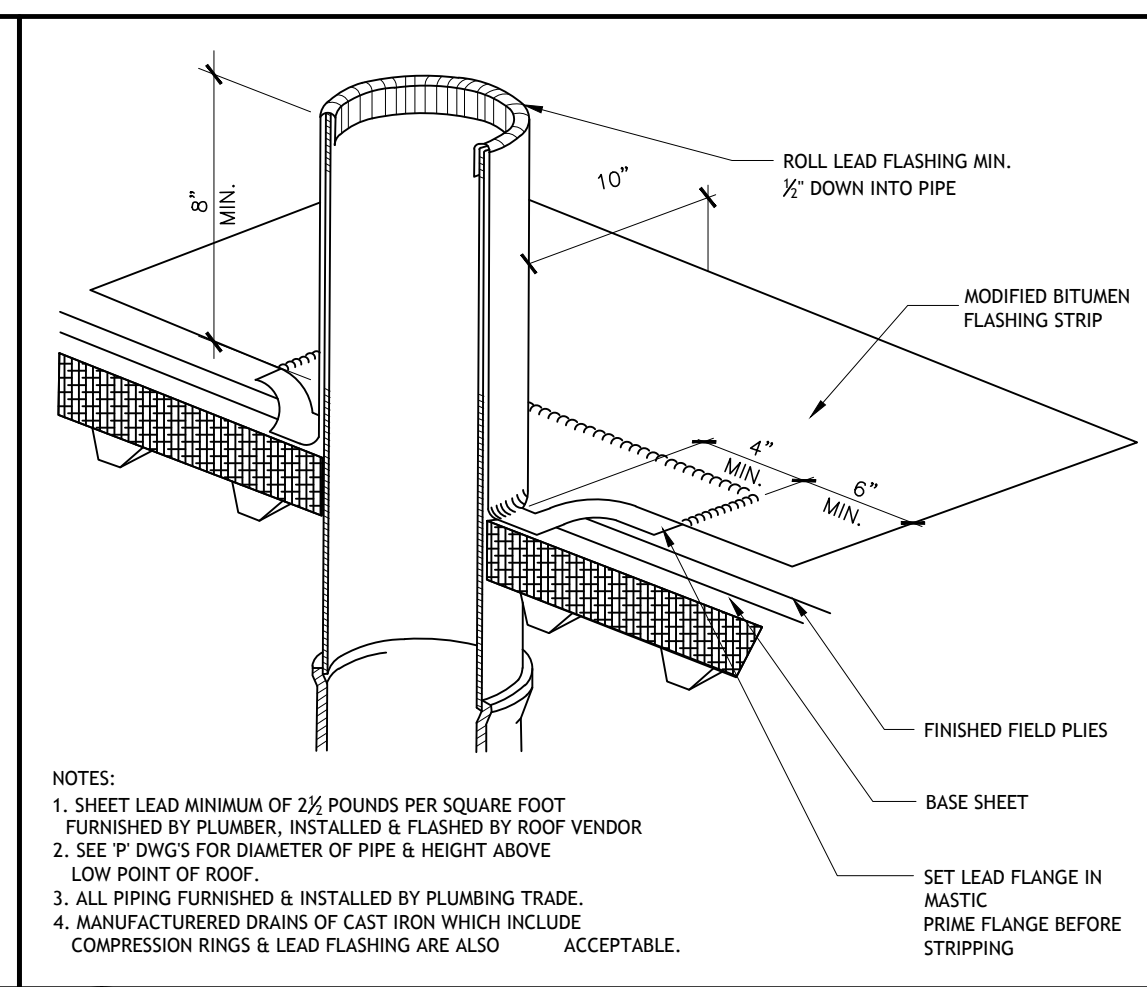


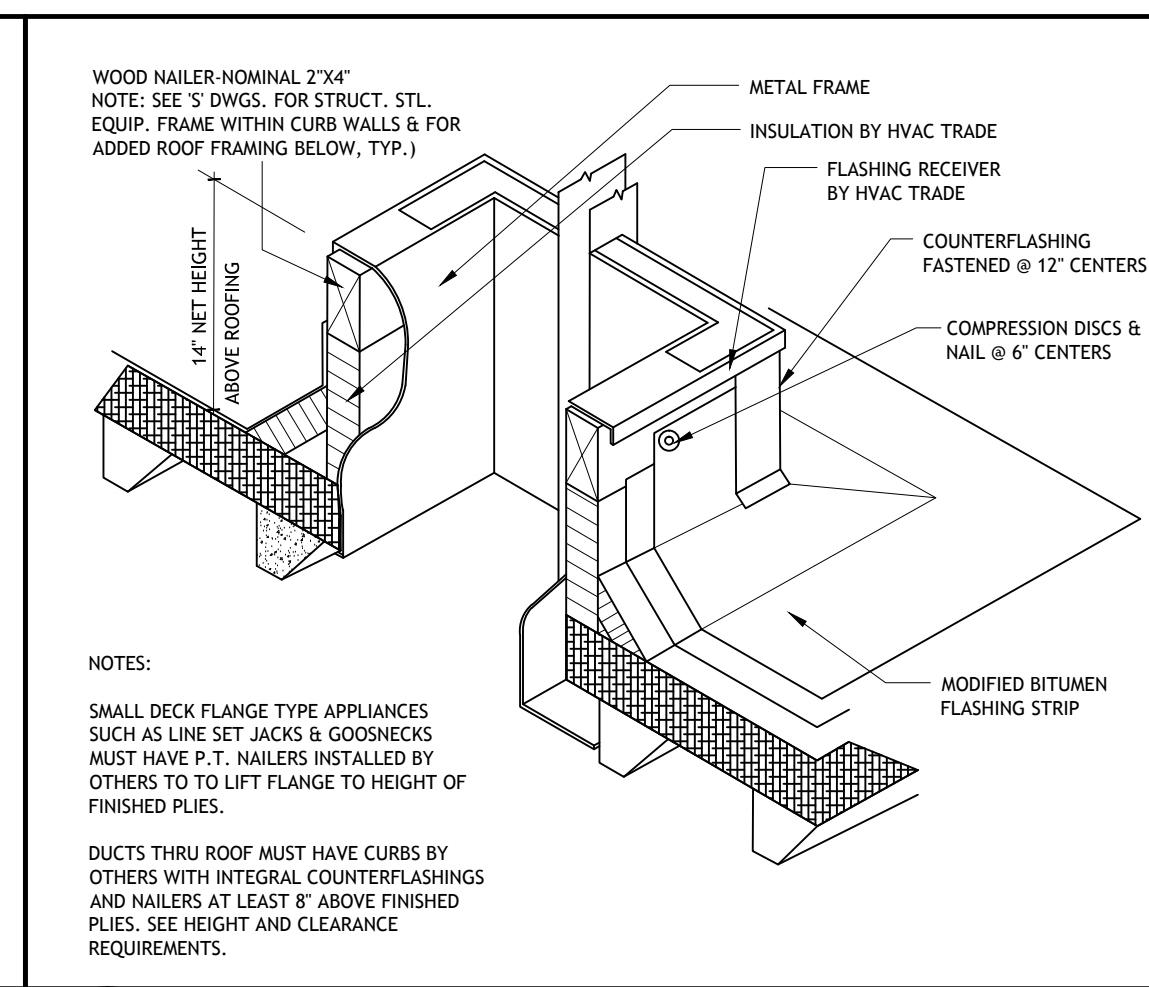
1 ROOF DRAIN
 A601 SCALE: NOT TO SCALE



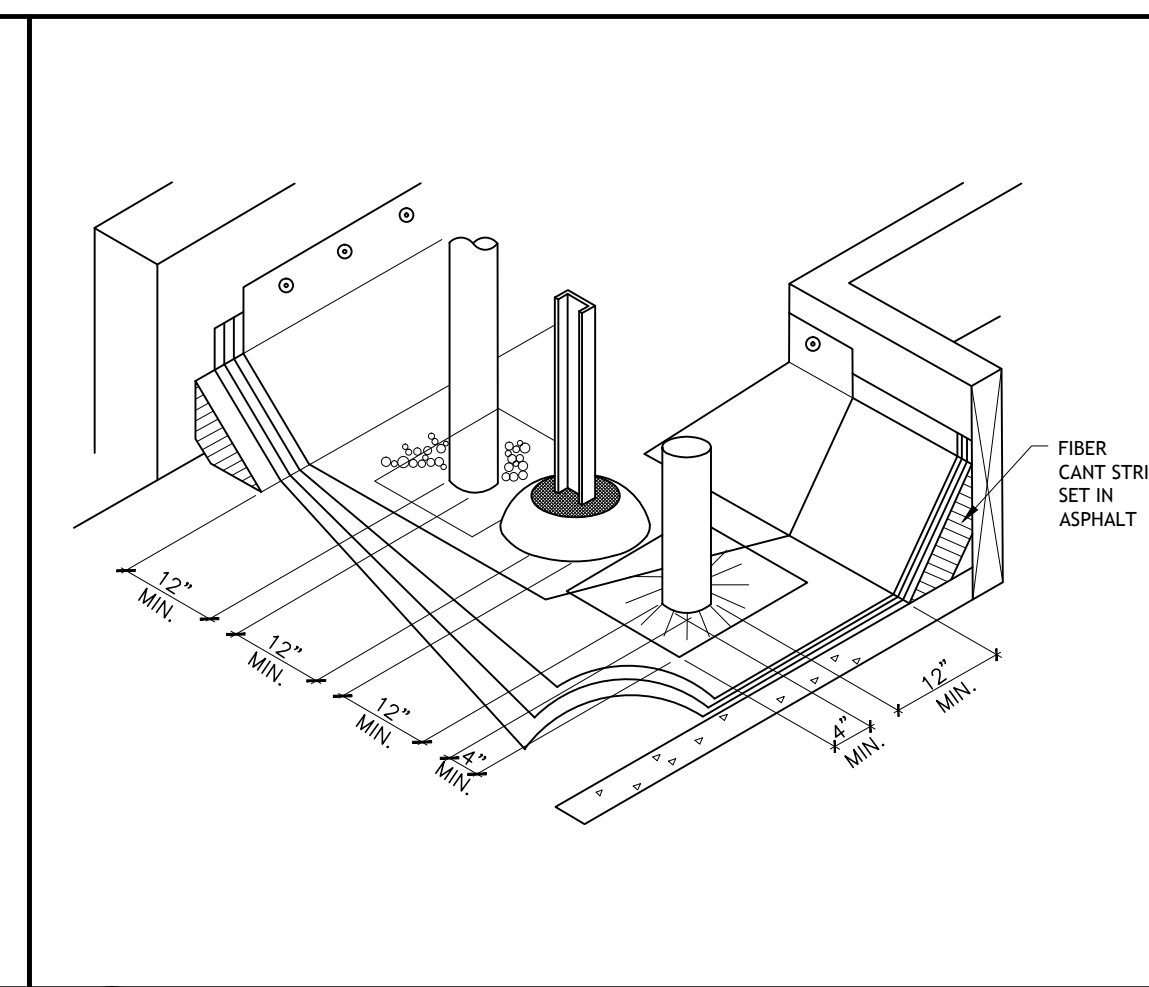
2 EMERGENCY OVERFLOW DRAIN
 A601 SCALE: NOT TO SCALE



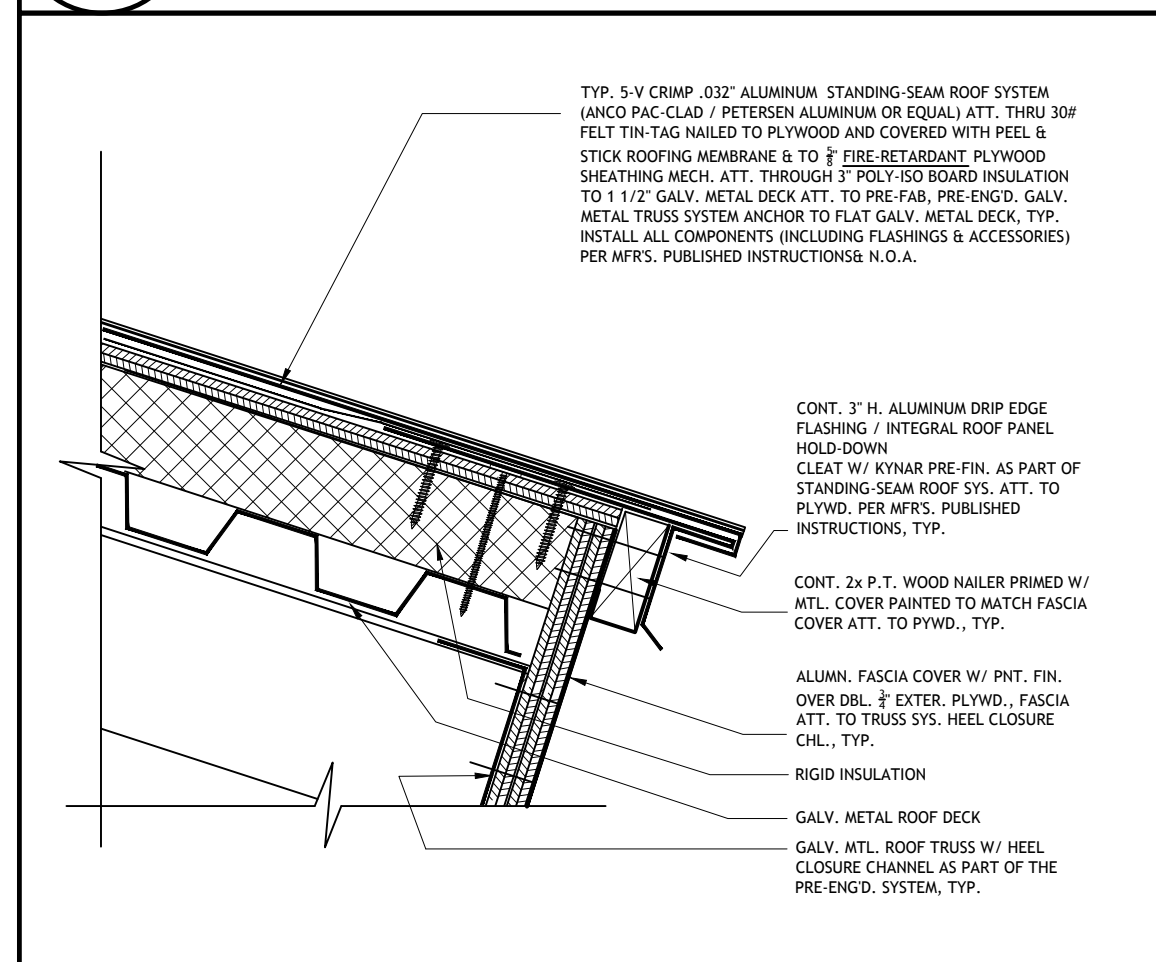
3 SANITARY STACK FLASHING
 A601 SCALE: NOT TO SCALE



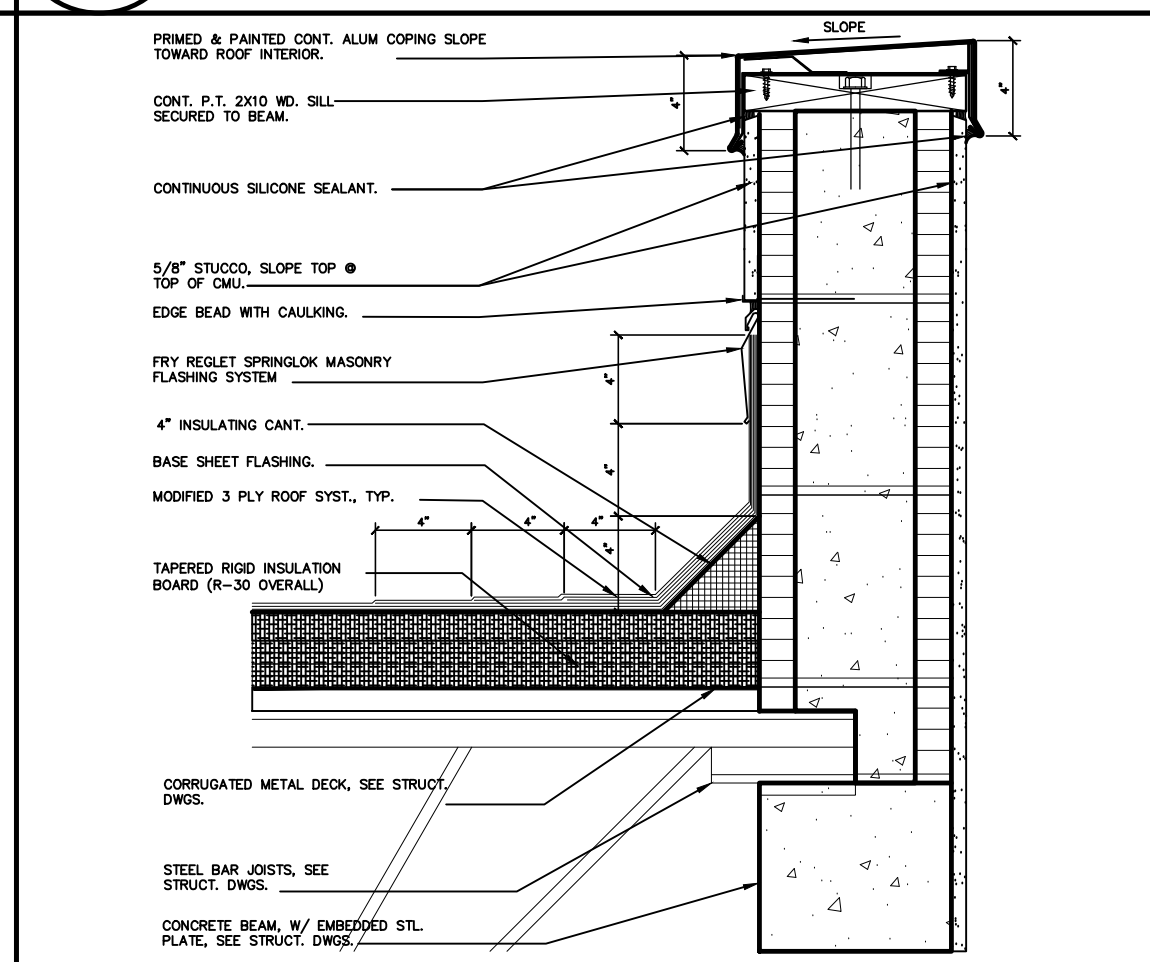
4 EQUIPMENT CURB
 A601 SCALE: NOT TO SCALE



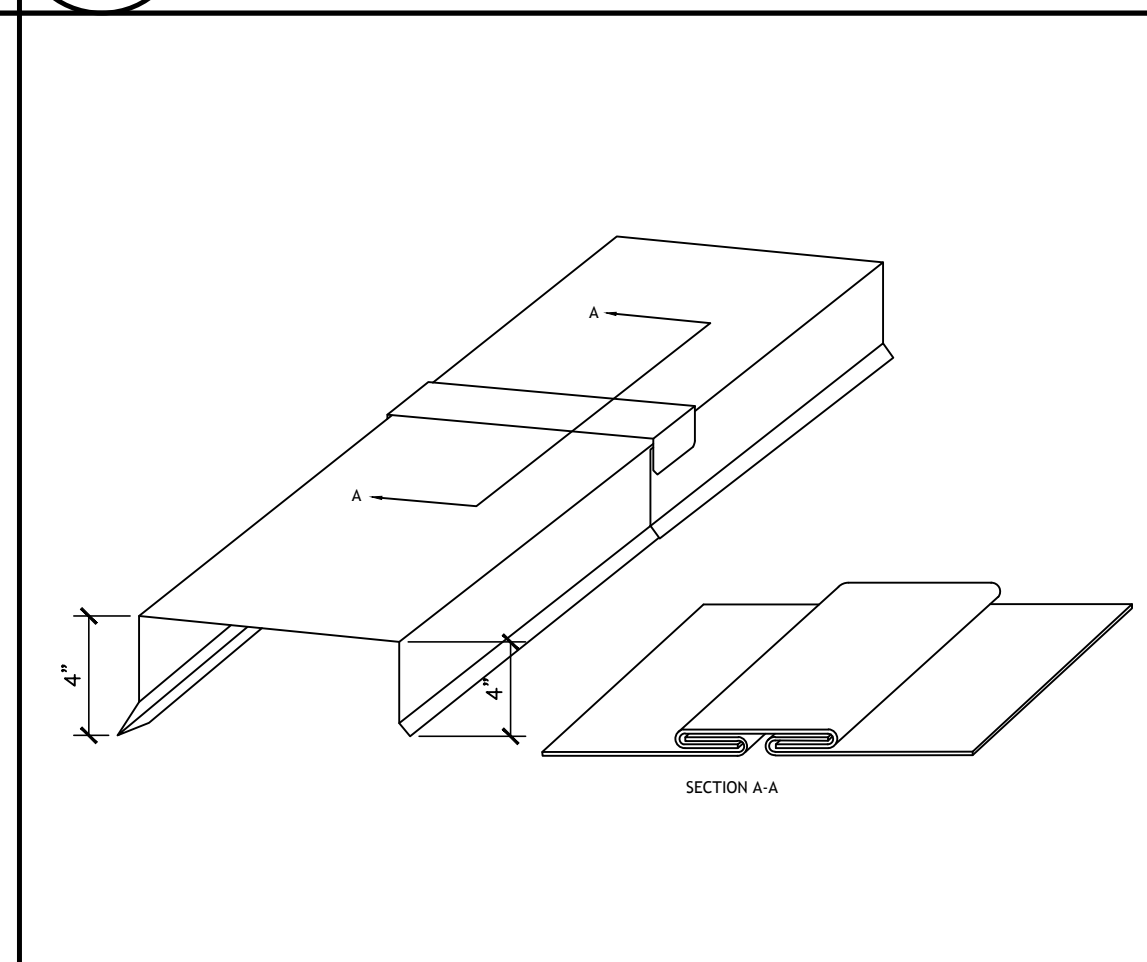
5 FLASHING CLEARANCES
 A601 SCALE: NOT TO SCALE



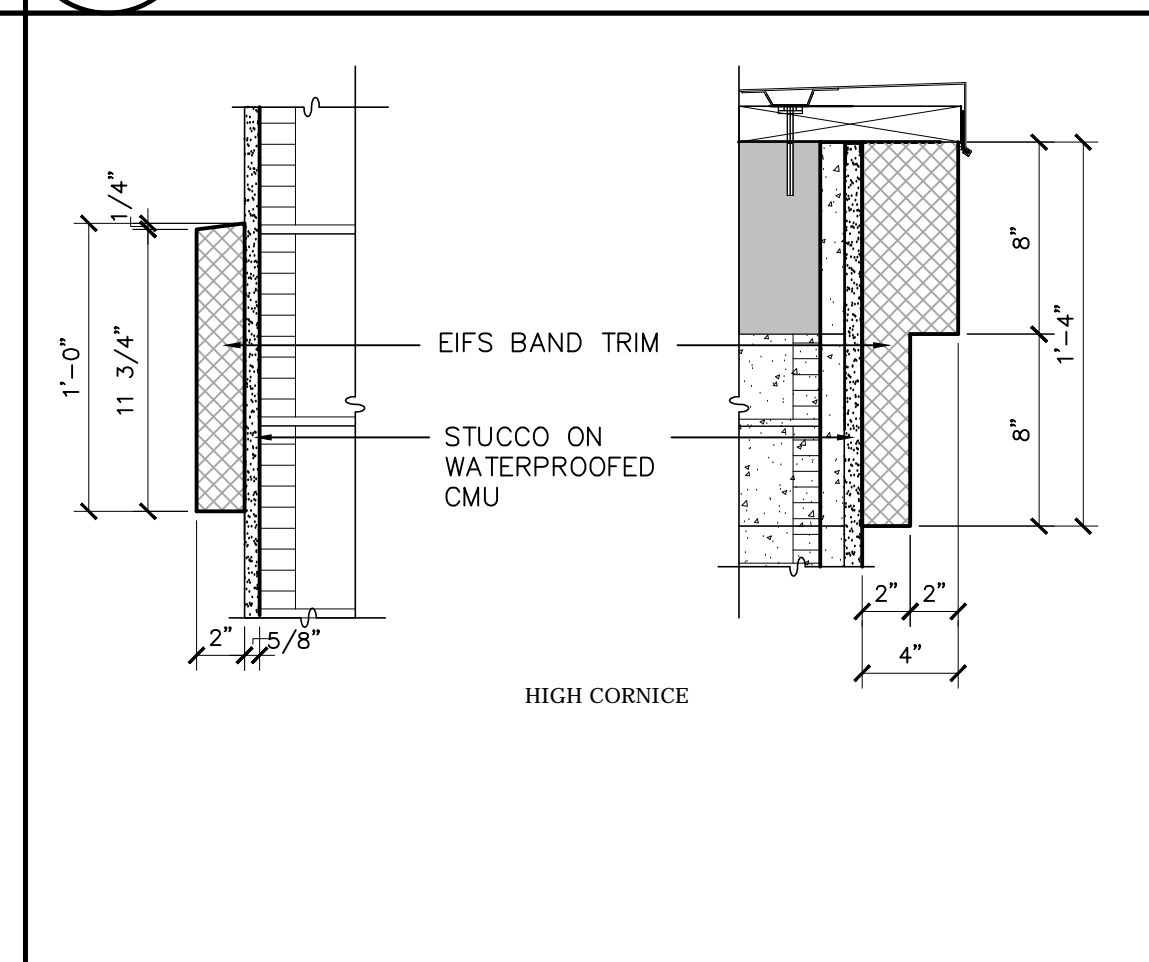
6 DRIP EDGE FLASHING
 A601 SCALE: 1"=1'-0"



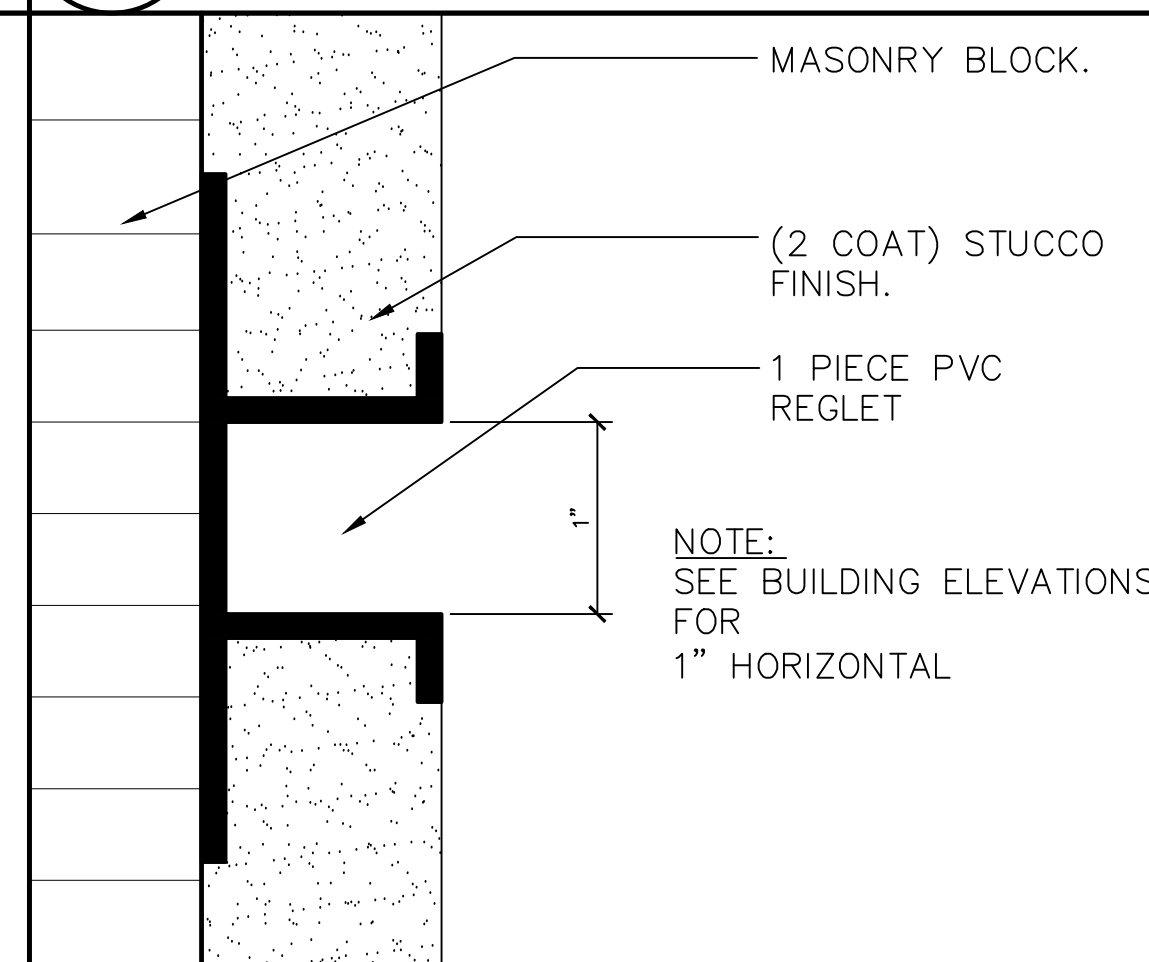
7 METAL COPING @ PARAPET & CANT
 A601 SCALE: 1 1/2"=1'-0"



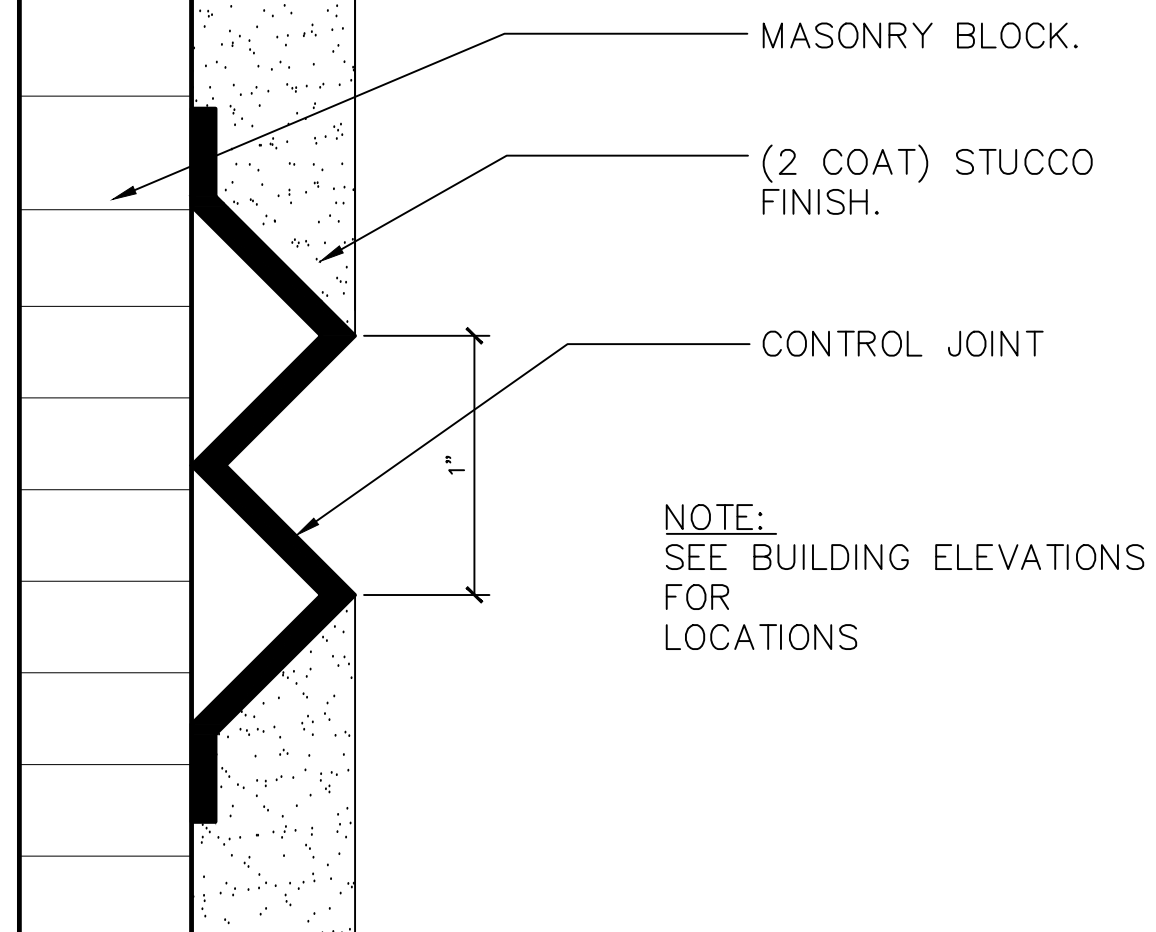
8 COPING JOINT
 A601 SCALE: 1/2"=1'-0"



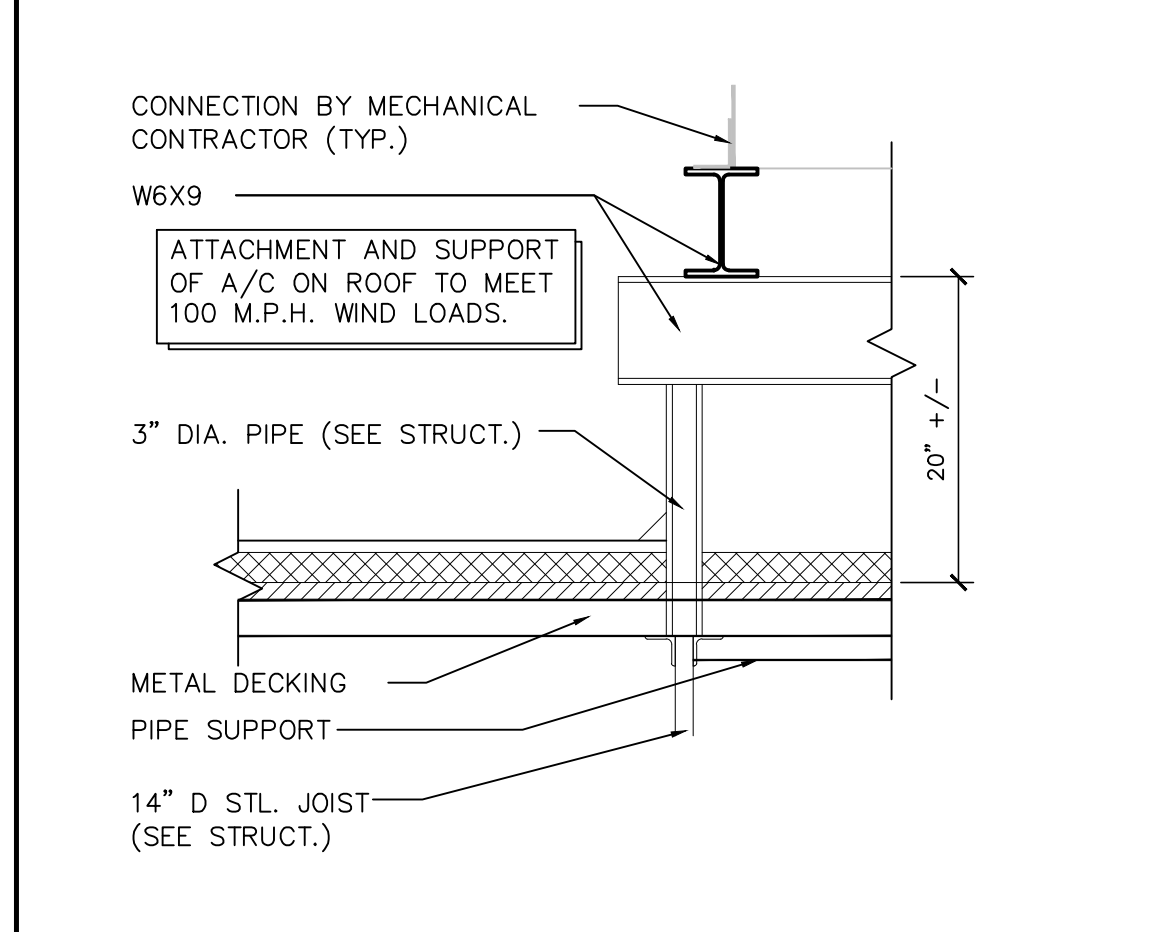
9 E.I.F.S. BANDING PROFILES
 A601 SCALE: 1-1/2"=1'-0"



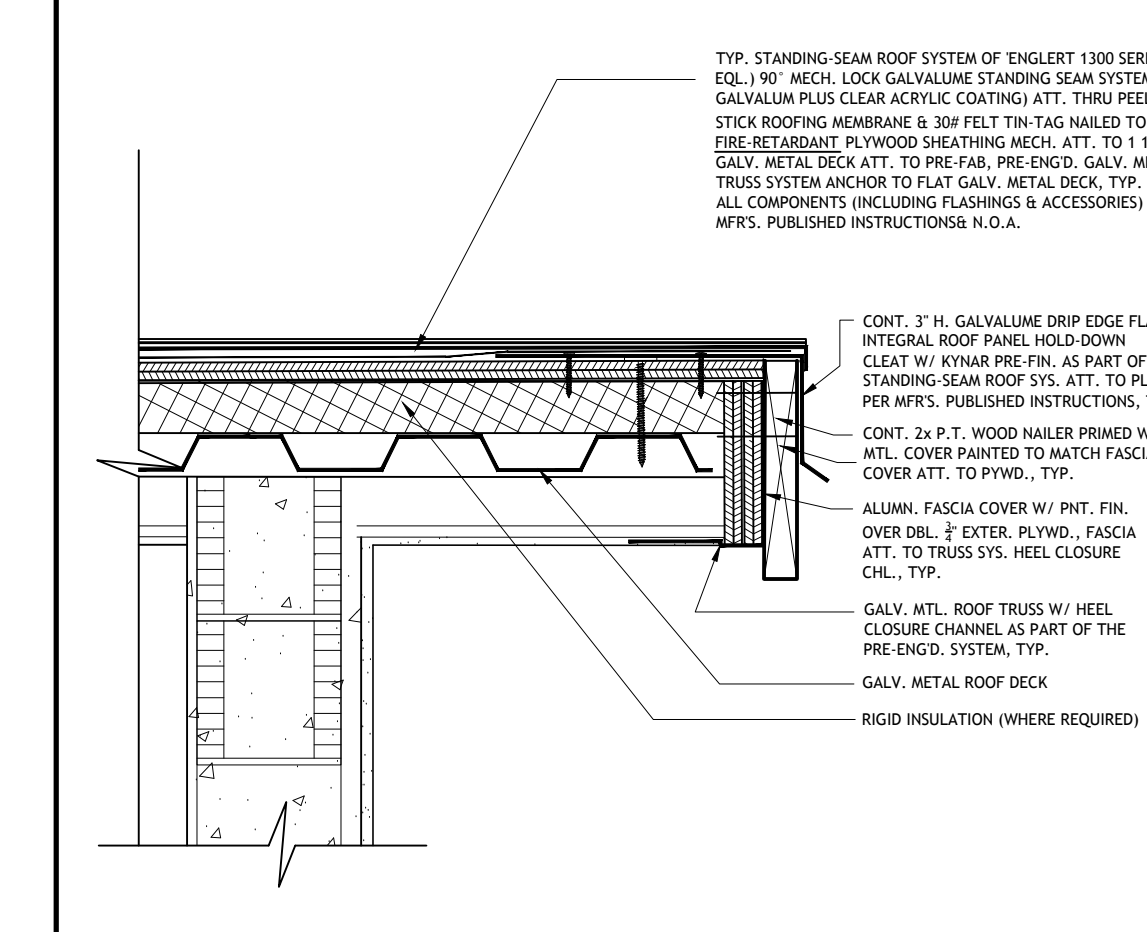
10 TYPICAL 1" REVEAL
 A601 SCALE: N.T.S.



11 VERTICAL CONTROL JOINT
 A601 SCALE: N.T.S.



12 EQUIP. SUPPORT DETAIL
 A601 SCALE: 3/4"=1'-0"



13 DRIP EDGE FLASHING
 A601 SCALE: 1"=1'-0"

REVISIONS	BY

Slattery & Associates
 ARCHITECTS PLANNERS
 2060 NW BOCA RATON BLVD.
 SUITE 2
 BOCA RATON, FL 33431
 TEL: 561-392-3848
 FAX: 561-392-5402
 WWW.SLATTERYARCHITECTS.COM

ACTIVITY CENTER FOR FLORENCE FULLER CHILD DEVELOPMENT CENTERS WEST CAMPUS
 S.W. 185TH STREET
 BOCA RATON, PALM BEACH COUNTY, FLORIDA

BIDDING NOT FOR CONSTRUCTION
 SEAL DATE: X-X-X
 SLATTERY & ASSOCIATES
 FLORIDA REGISTRATION # AA0003381

DETAILS

DRAWN	CR, DR, AB
CHECKED	KB
DATE	10-21-16
SCALE	AS NOTED
JOB NO.	2011-64
SHEET	A601

DATE: OCT 24 4 28 PM '16