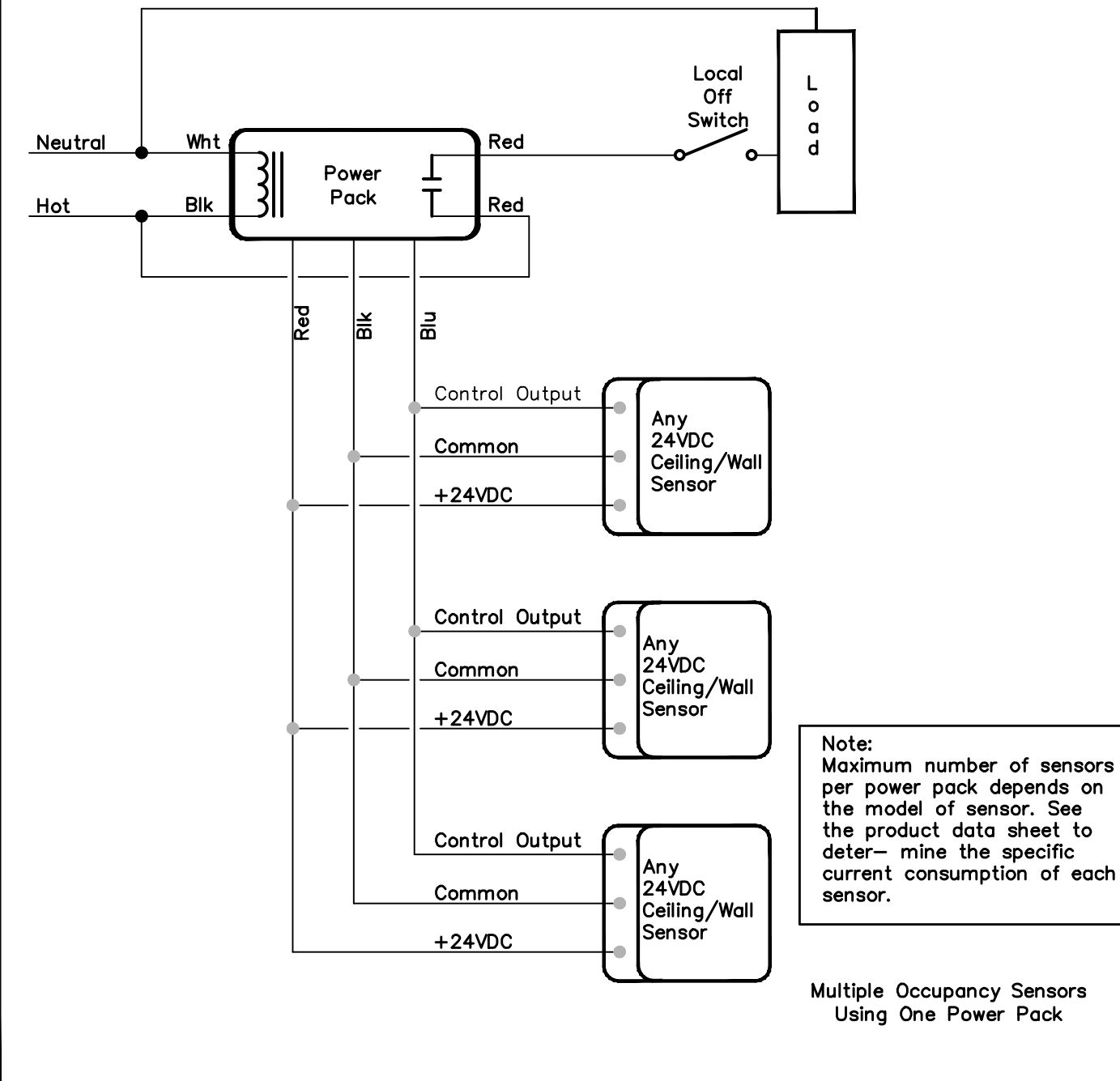
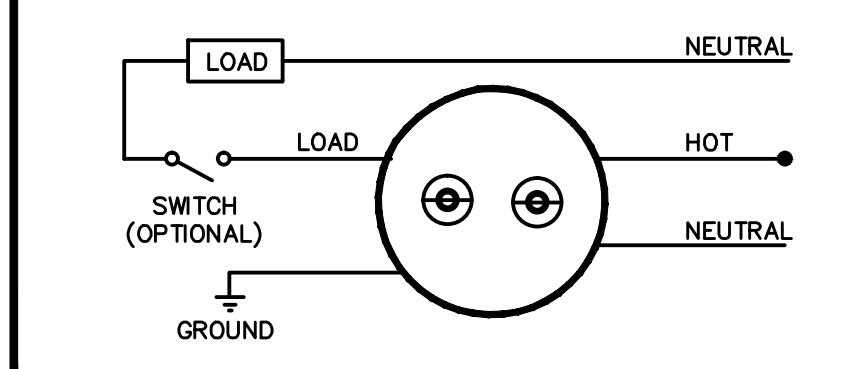


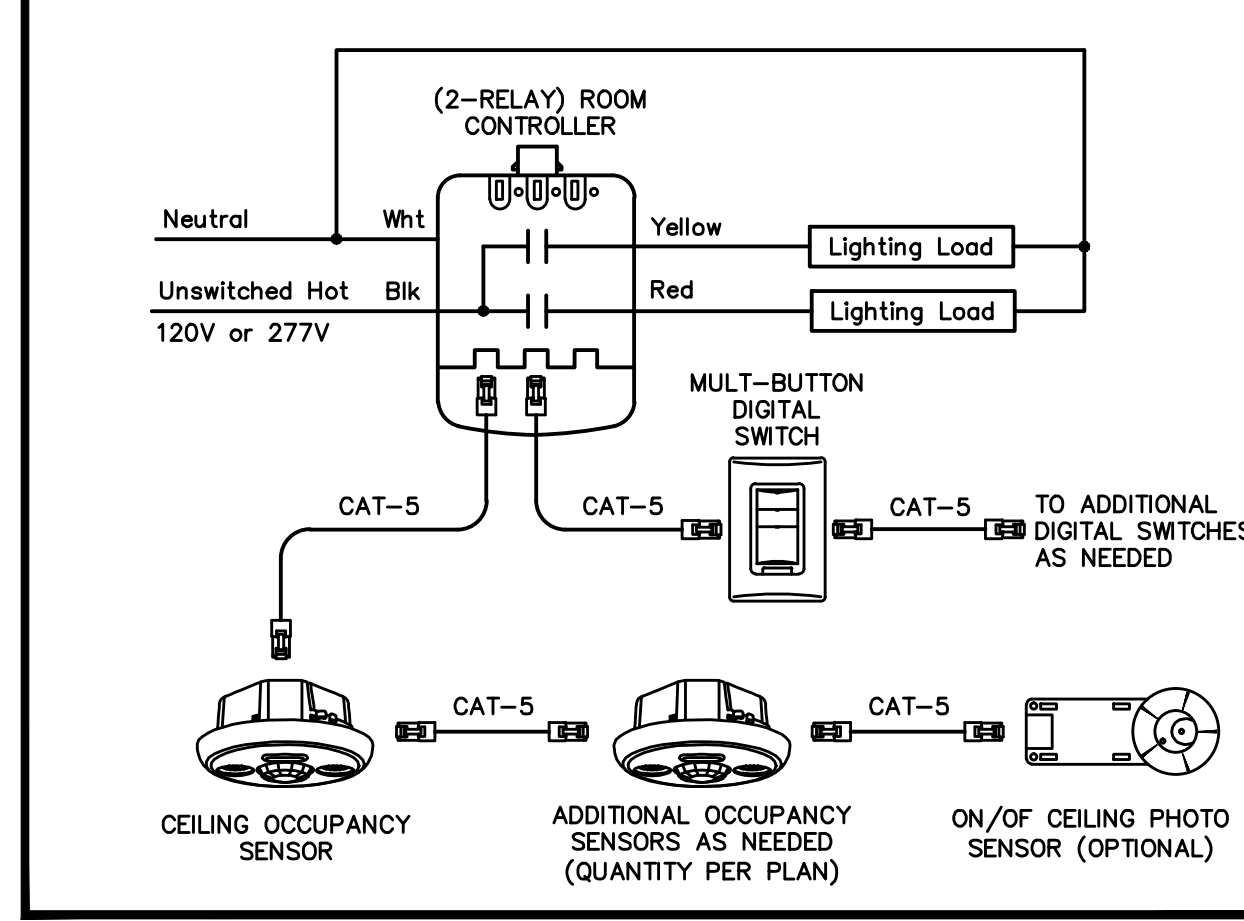
**MULTIPLE OCCUPANCY  
SENSOR DETAIL (UT SERIES)**



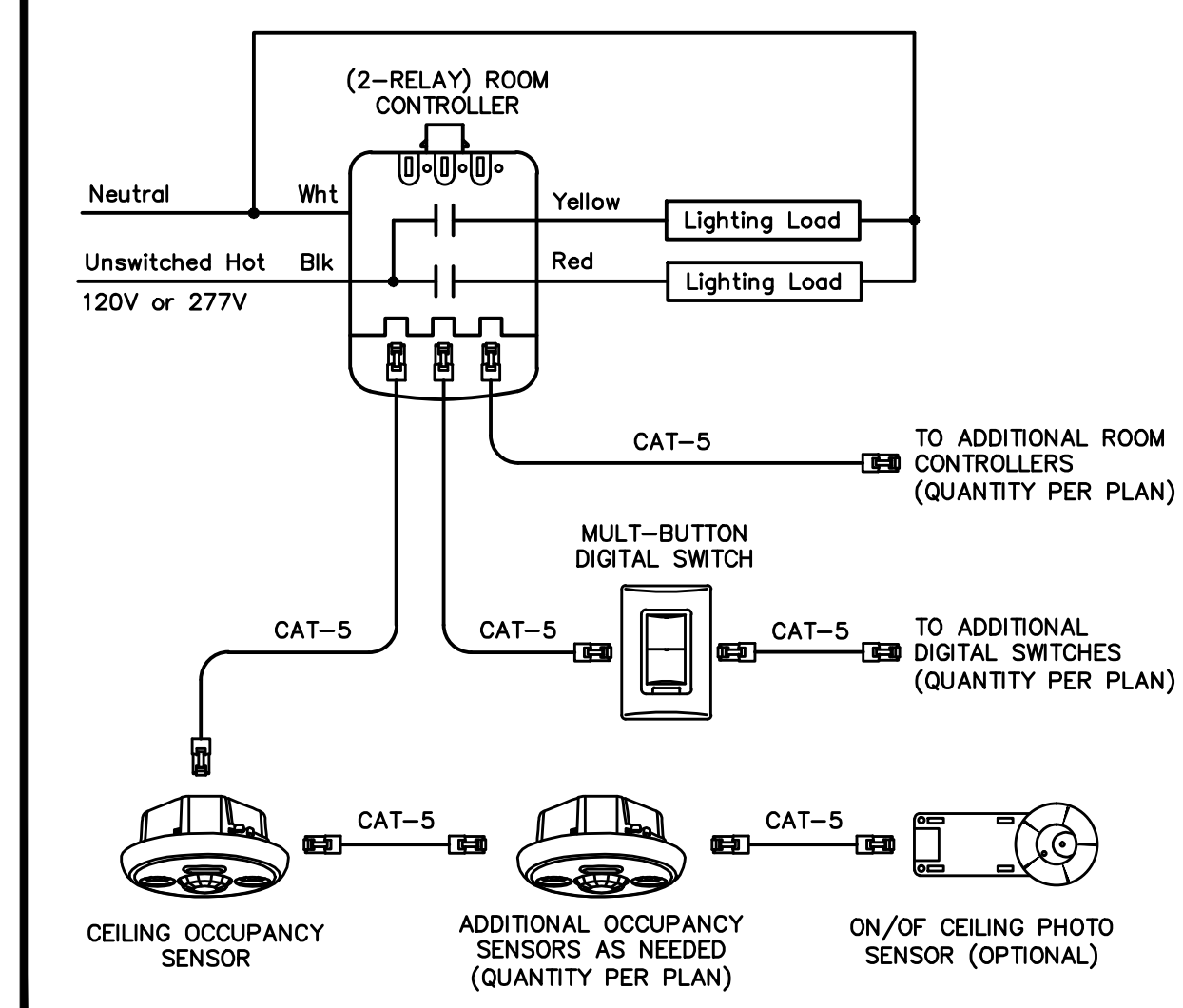
**CEILING MOUNTED  
OCCUPANCY SENSOR DETAIL**



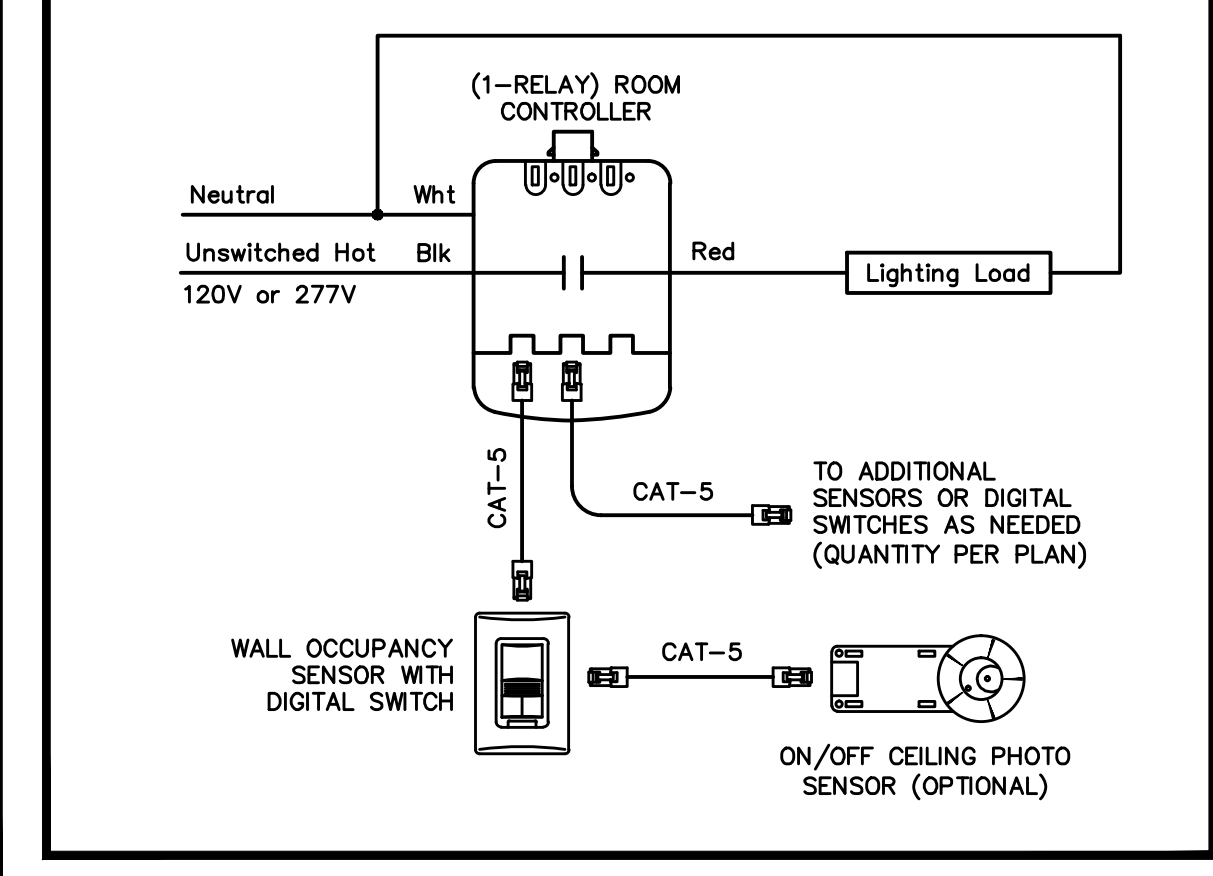
**LIGHTING ROOM CONTROLLER WIRING DETAIL  
(LARGE AREA WITH OPTIONAL ON/OFF DAYLIGHTING)**



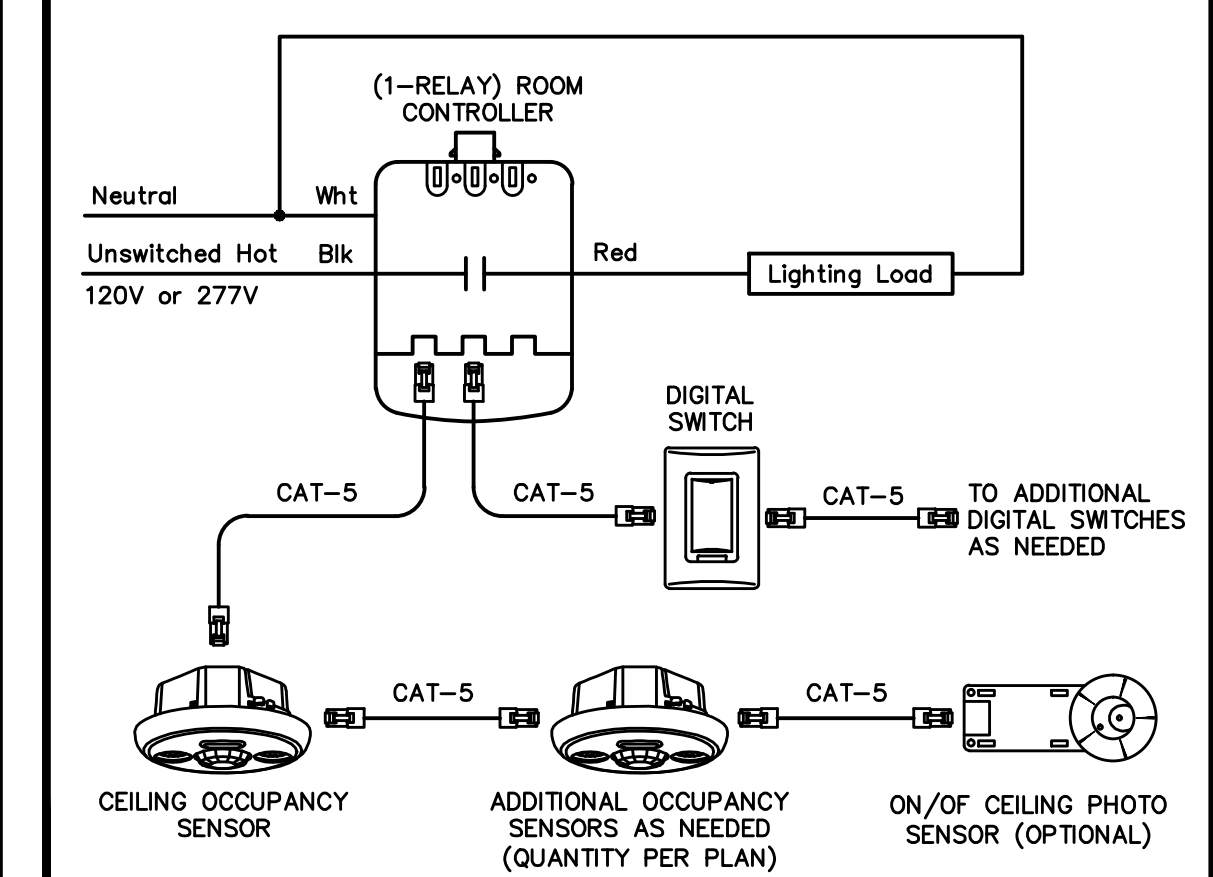
**LIGHTING ROOM CONTROLLER WIRING DETAIL  
(LARGE OPEN AREA WITH OPTIONAL ON/OFF DAYLIGHTING)**



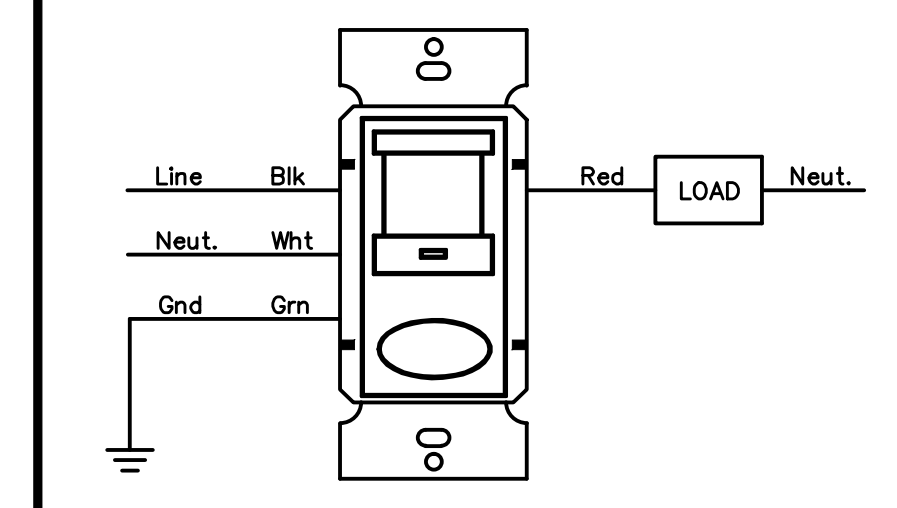
**LIGHTING ROOM CONTROLLER WIRING DETAIL  
(SMALL OFFICE WITH OPTIONAL ON/OFF DAYLIGHTING)**



**LIGHTING ROOM CONTROLLER WIRING DETAIL  
(LARGE AREA WITH OPTIONAL ON/OFF DAYLIGHTING)**



**WALL SWITCH MOUNTED  
VACANCY SENSOR DETAIL**



REVISIONS	BY

**Slattery & Associates**  
ARCHITECTS PLANNERS  
2060 NW BOCA RATON BLVD.  
SUITE 2  
BOCA RATON, FL 33431  
TEL: 561-392-3848  
FAX: 561-392-5402  
WWW.SLATTERYARCHITECTS.COM

ACTIVITY CENTER FOR  
FLORENCE FULLER CHILD DEVELOPMENT CENTERS  
WEST CAMPUS  
S.W. 185TH STREET  
BOCA RATON, PALM BEACH COUNTY, FLORIDA

BIDDING NOT FOR CONSTRUCTION  
DATE OF SEAL: 4/2/08  
SLATTERY & ASSOCIATES  
FLORIDA REGISTRATION # AA0003381

ISSUED FOR PERMIT  
ISSUED FOR CONSTRUCTION

KAMM CONSULTING PROJECT # 2016-0024  
PROJECT MANAGER: JOHN CHIRGWIN

1407 West Newport Center Drive  
Deerfield Beach, Florida 33442  
Phone 954.949.2200 Fax 954.949.2201  
engineering@kammconsulting.com  
Certification of Authorization #81839

**KAMM Consulting**

date: 10.21.16  
signed: \_\_\_\_\_

**ELECTRICAL DETAILS**

DRAWN	JWC/PG/AE
CHECKED	AK/MP
DATE	10-21-16
SCALE	AS NOTED
JOB NO.	2011-64
SHEET	E7.1

PHASE: C.D. SET 10-21-16