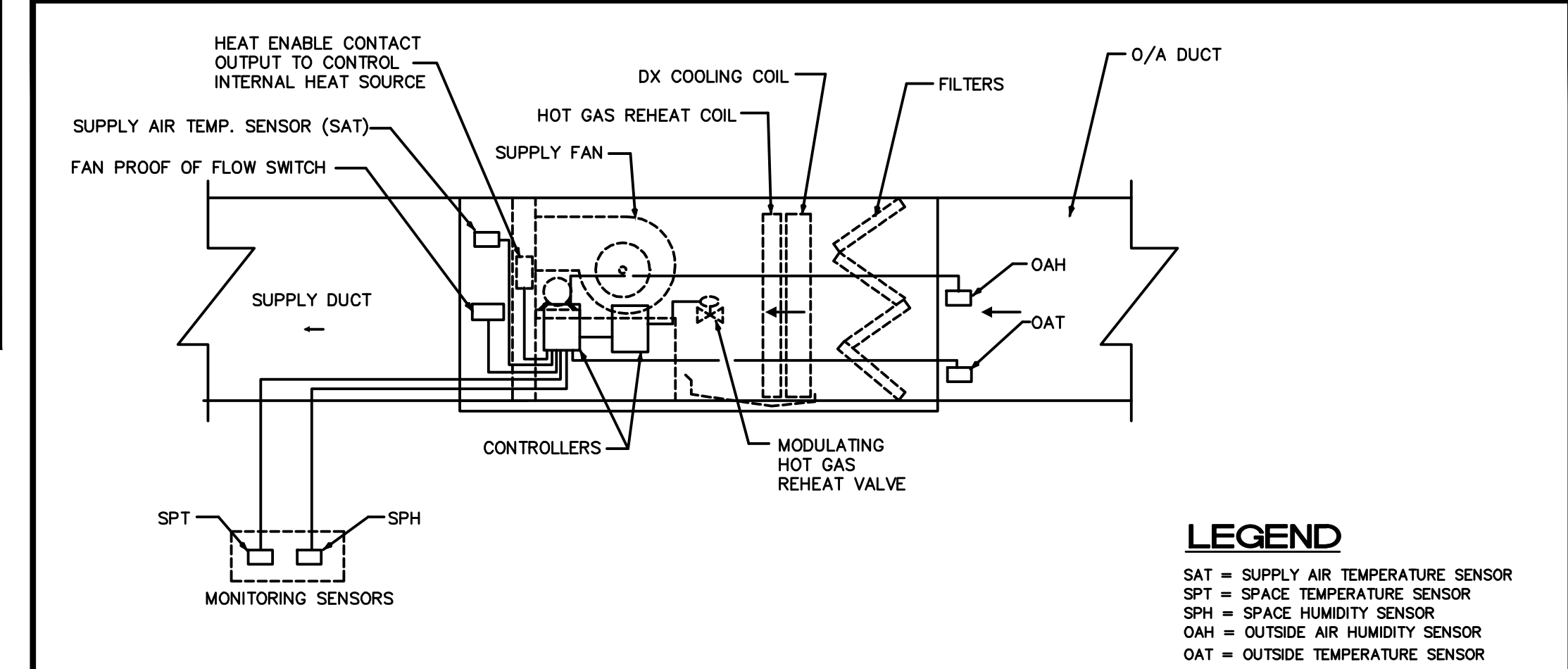


ROOFTOP EQUIP. CLEARANCE TABLE
FLORIDA BUILDING CODE 2014, TABLE 1509.6.5

WIDTH OF MECHANICAL UNIT (INCHES)	MIN. CLEARANCE ABOVE ROOF SURFACE (INCHES)
< 24	14
24 < 36	18
36 < 48	24
48 < 60	30
≥ 60	48



SEQUENCE OF OPERATION

SET-BACK MODE:
IN THIS MODE THE CONTROLLER WILL RESET THE HVAC UNIT COOLING, HEATING, DEHUMIDIFICATION MODES USER CONFIGURED. THE MUA II CONTROLLER WILL REMAIN IN THE SET-BACK MODE OF OPERATION BASED ON A TIME SCHEDULE AS DETERMINED BY USER.

OCCUPIED MODE:

COOLING MODE:
WHEN THE SPACE AIR TEMPERATURE RISES ABOVE THE COOLING SETPOINT, THE CONTROLLER WILL PLACE THE HVAC UNIT INTO THE COOLING MODE. THE SPACE COOLING SETPOINT SHALL BE MAINTAINED AT 74° (SPT) PLUS A COOLING DEADBAND OF A MAX OF 2°F. ONCE IN THE COOLING MODE, THE CONTROLLER WILL BRING ON THE HVAC UNIT COLLING STAGES TO MAINTAIN THE SPT AT ITS SETPOINT.

HEATING MODE:
WHEN THE SPACE AIR TEMPERATURE FALLS BELOW THE HEATING SETPOINT, (65°F, ADJUSTABLE) THE CONTROLLER WILL PLACE THE HVAC UNIT INTO THE HEATING MODE. THE HEATING SETPOINT WILL MAINTAIN HEATING DEADBAND OF 2°F. ONCE IN THE HEATING MODE, THE CONTROLLER WILL CLOSE A CONTACT TO ENABLE THE HEATER TO MAINTAIN THE SPT AT ITS SETPOINT.

DEHUMIDIFICATION MODE:
REGARDLESS OF SPACE TEMPERATURE, WHENEVER THE SPACE (SPH) HUMIDITY LEVEL RISES ABOVE THE (SPH) SETPOINT. THE CONTROLLER WILL PLACE THE HVAC UNIT INTO DEHUMIDIFICATION MODE. ONCE IN THE DEHUMIDIFICATION MODE, THE CONTROLLER WILL BRING ON HVAC UNIT COOLING STAGES BASED ON THE CALCULATED OUTDOOR AIR ENTHALPY IN REFERENCE TO THE OUTDOOR AIR ENTHALPY SETPOINT AND OUTDOOR AIR ENTHALPY DEADBANDS.

REHEAT CONTROL:
DURING DEHUMIDIFICATION MODE THE REHEAT CONTROL WILL BE ACTIVATED TO MAINTAIN THE SPT SETPOINT. THE CONTROLLER WILL MODULATE HOT GAS REHEAT VALVE TO CONTROL THE HVAC UNIT TO MAINTAIN THE SPT SETPOINT

THE AAO CONTROLLER:
SHALL BE CAPABLE TO BE PROGRAMMED FOR A SEVEN DAY PERIOD WITH NIGHT SET-BACK MODE, WORKDAY AND WEEKEND SCHEDULE. ALL SETPOINTS SHALL BE FIELD ADJUSTABLE TO ALLOW FOR TWO SETS OF SPACE CONDITIONS DEPENDING ON THE TYPE OF SPACE ACTIVITY.

MECHANICAL CONTROL DIAGRAM FOR 100% O/A AAO UNIT

REVISIONS	BY

Slattery & Associates
ARCHITECTS PLANNERS
2060 NW BOCA RATON BLVD.
SUITE 2
BOCA RATON, FL 33431
TEL: 561-392-3848
FAX: 561-392-5402
WWW.SLATTERYARCHITECTS.COM

ACTIVITY CENTER FOR FLORENCE FULLER CHILD DEVELOPMENT CENTERS WEST CAMPUS S.W. 185TH STREET BOCA RATON, PALM BEACH COUNTY, FLORIDA

BIDDING NOT FOR CONSTRUCTION
DATE OF SEAL: 4/2/08
SLATTERY & ASSOCIATES
FLORIDA REGISTRATION # AA0003381

ISSUED FOR PERMIT
ISSUED FOR CONSTRUCTION
KAMM CONSULTING PROJECT # 2016-0024
PROJECT MANAGER: JOHN CHIRGWIN
1407 West Newport Center Drive
Deerfield Beach, Florida 33442
Phone 954.949.2200 Fax 954.949.2201
engineering@kammconsulting.com
Certification of Authorization #8189
10.21.16
signed

MECHANICAL DETAILS
DRAWN JWC/PG/AE
CHECKED AK/MP
DATE 10-21-16
SCALE AS NOTED
JOB NO. 2011-64
SHEET M7.2

PHASE: C.D. SET 10-21-16