

LCA AA 003432
Architecture, Inc.

1975 Sansbury's Way
Suite 108
West Palm Beach, FL 33411

Phone: (561) 493-4787
Fax: (561) 493-4786

REVISIONS / DATE

**Interior Improvement for
Prospective Doctors Suite**
 9960 Central Park Boulevard, Suite 375
 Boca Raton, FL 33428

LESLAW A. CZACZYK AIA

AR 00015391

PROJ. NO. 16209

DESIGNED BY LAC

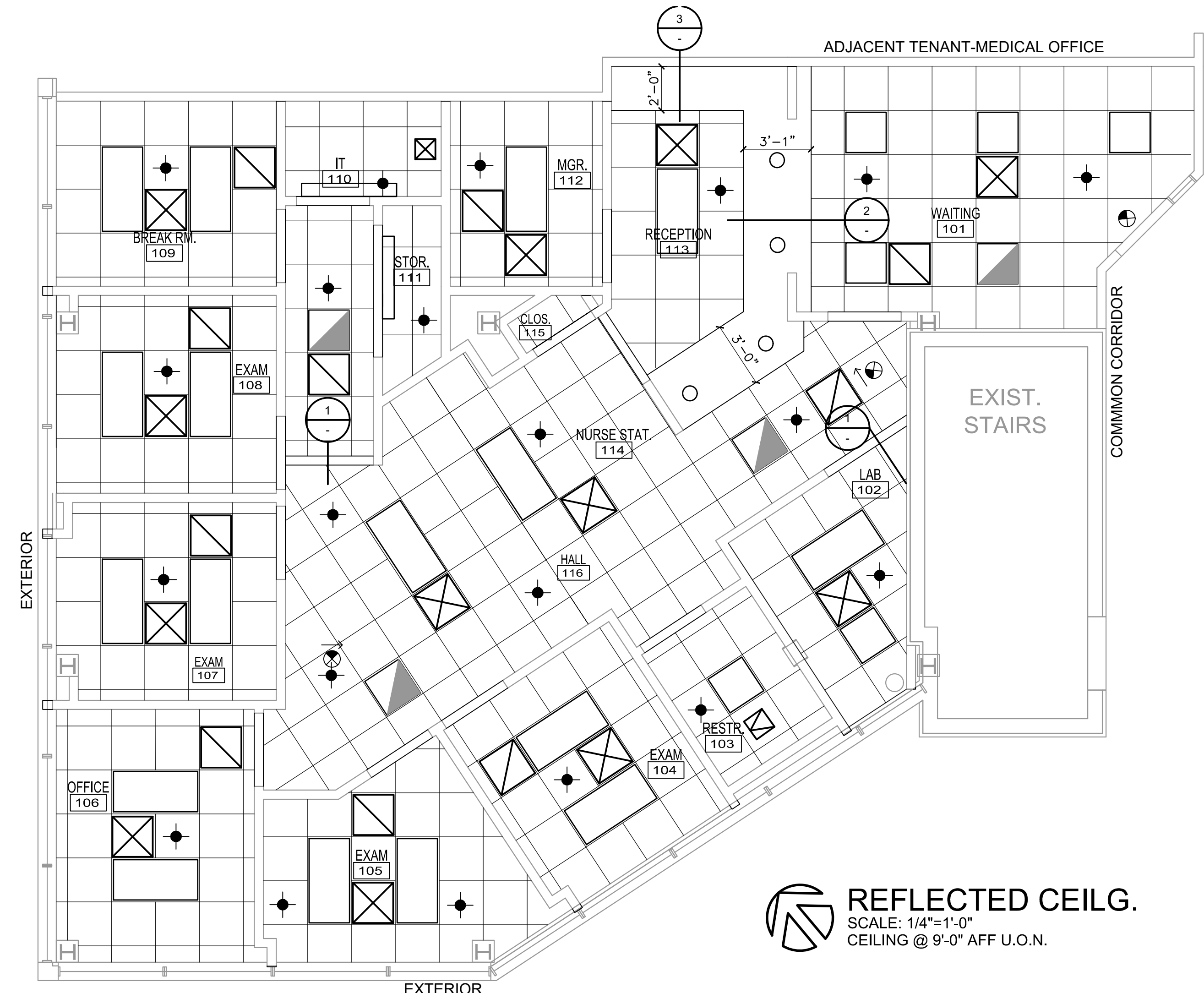
DRAWN BY AAA

DATE 10/14/16

SCALE AS SHOWN

**REFLECTED
CEILING PLAN
DETAILS**

SHEET **A.2**



REFLECTED CEILING.
SCALE: 1/4"=1'-0"
CEILING @ 9'-0" AFF U.O.N.

CEILING NOTES

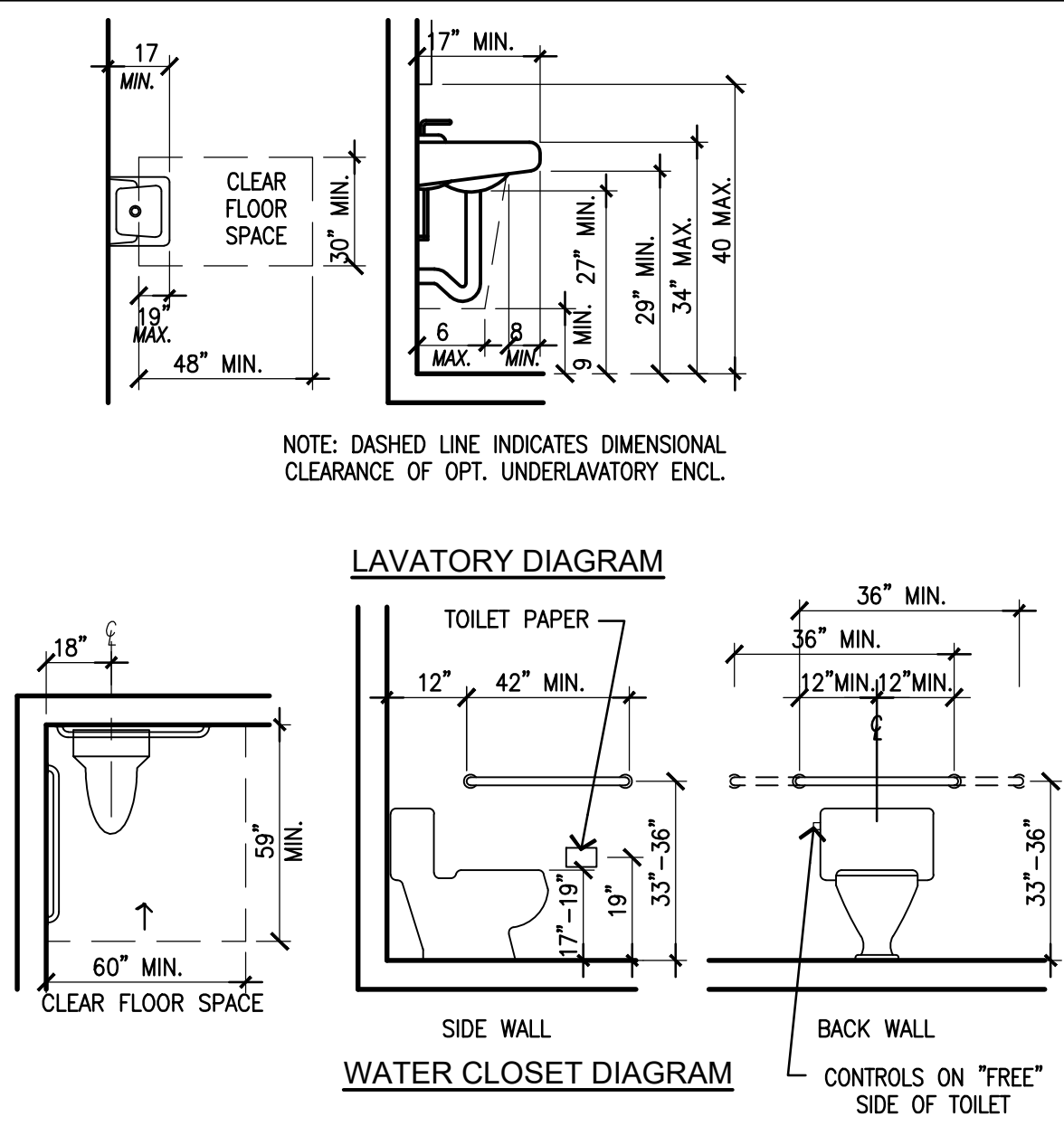
- PRIOR TO BID, CONTRACTOR SHALL CHECK AND VERIFY ALL CEILING HEIGHTS AND SLAB HEIGHTS FOR CLEARANCES AND INSTALLATION METHODS. HEIGHTS AND LOCATIONS OF ALL DUCTWORK, DIFFUSER UNITS, CONDUIT, JUNCTION BOXES, AND OTHER CEILING INSTALLATION TO BE COORDINATED PRIOR TO INSTALLATION.
- CONTRACTOR SHALL NOTIFY ARCHITECT OF DISCREPANCIES AND CONFLICTS IN INTENT IN ACCOMPLISHING CEILING WORK PRIOR TO AWARDED CONTRACT OR SHALL BE ASSUMED THAT ALL NECESSARY WORK AND COSTS ARE INCLUDED.
- CONTRACTOR SHALL REVIEW DUCTWORK RUNS AND HEIGHTS AND COORDINATE AND ACCOMMODATE DESIRED DESIGN CRITERIA.
- SPEAKERS, EMERGENCY LIGHTS, AND DIFFUSERS TO BE LOCATED ON CENTERLINE OF CEILING TILE AND CENTERED OR EQUALLY SPACED BETWEEN SALES AREA LIGHT FIXTURES.
- ALL SWITCHES OUTLETS & ALL PLATES ARE TO BE WHITE. SWITCHES SHALL BE "DECORA" STYLE.
- CONTRACTOR SHALL CHECK AND VERIFY ALL CEILING PLENUM CONDITIONS FOR DUCTWORK, SPRINKLER, LIGHT FIXTURES, ETC. BEFORE PROCEEDING WITH WORK AND WILL NOTIFY ARCHITECT OF ANY DISCREPANCIES
- CEILINGS SHALL BE INSTALLED ACCORDING TO MANUFACTURERS DIRECTIONS AND STANDARD BUILDING PRACTICES.
- WALL SCONCES SHALL COMPLY WITH ADA & FBC-ACCESSIBILITY AND SHALL BE TO BE MOUNTED @ 72" A.F.F. U.N.O.

RESTROOM ACCESSORY SCHEDULE

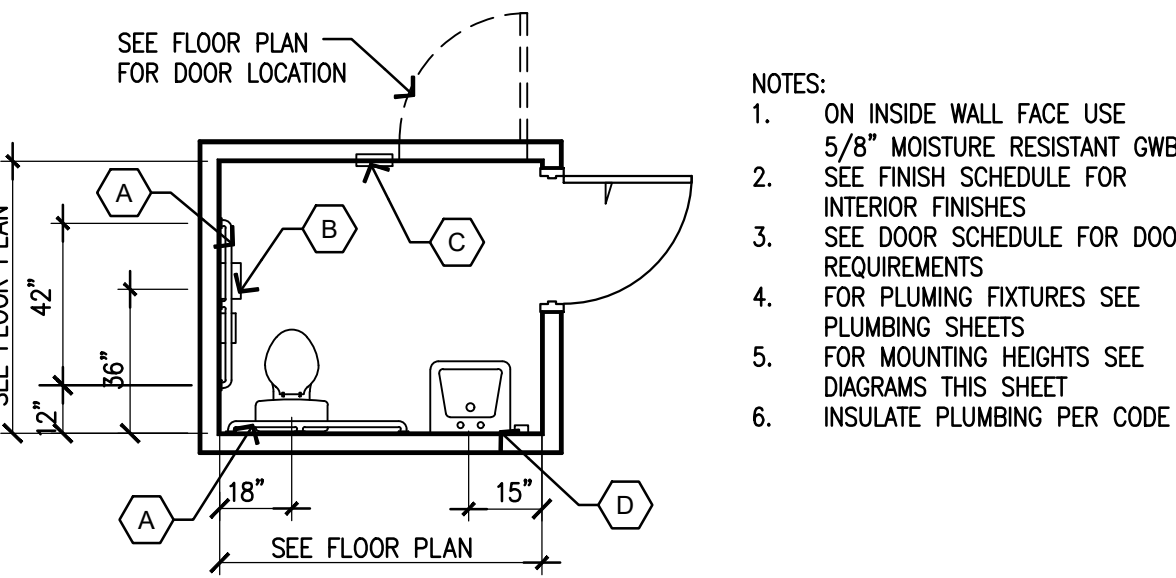
DESCRIPTION	MANUFACTURER & #	REMARKS
A GRAB BARS	BOBRICK B-5806 36/42	FINISHED GRIP & POLISHED ENDS
B TOILET PAPER DISPENSER	BOBRICK B-2740	SURF. MTD. DBL. ROLL SATIN FIN.
C PAPER TOWEL DISPENSER	BOBRICK B-35903	RECESSED MULTI-FOLD
D MIRROR		GLASS MIRROR 30" W X 48" H

PROVIDE BLOCKING FOR ALL WALL MOUNTED FIXTURES AND ACCESSORIES.
CONTRACTOR TO SUBMIT SPEC SHEET FOR REVIEW BY TENANT PRIOR PURCHASE TYPICAL.
PROVIDE SIGNAGE AT DOORS TO COMPLY W/ ALL A.D.A. REQUIREMENTS.
ALL INSTALLATIONS MUST COMPLY WITH STATE OF FL. HANDICAPPED ACCESSIBILITY CODE FOR BLDG. CONSTRUCTION & AMERICANS W/ DISABILITY ACT. PROVIDE SIGNAGE AT DOORS TO COMPLY W. ALL A.D.A. REQUIREMENTS.

CEILING INSTALLATION SHALL COMPLY WITH FBC & ASTM.
SPRINKLER NOTE: CONTRACTOR SHALL ADJUST/ ADD SPRINKLER HEADS AS REQUIRED TO OBTAIN PROPER COVERAGE. SPRINKLER HEADS SHALL BE RECESSED AND SHALL CONFORM TO BUILDING STANDARD.

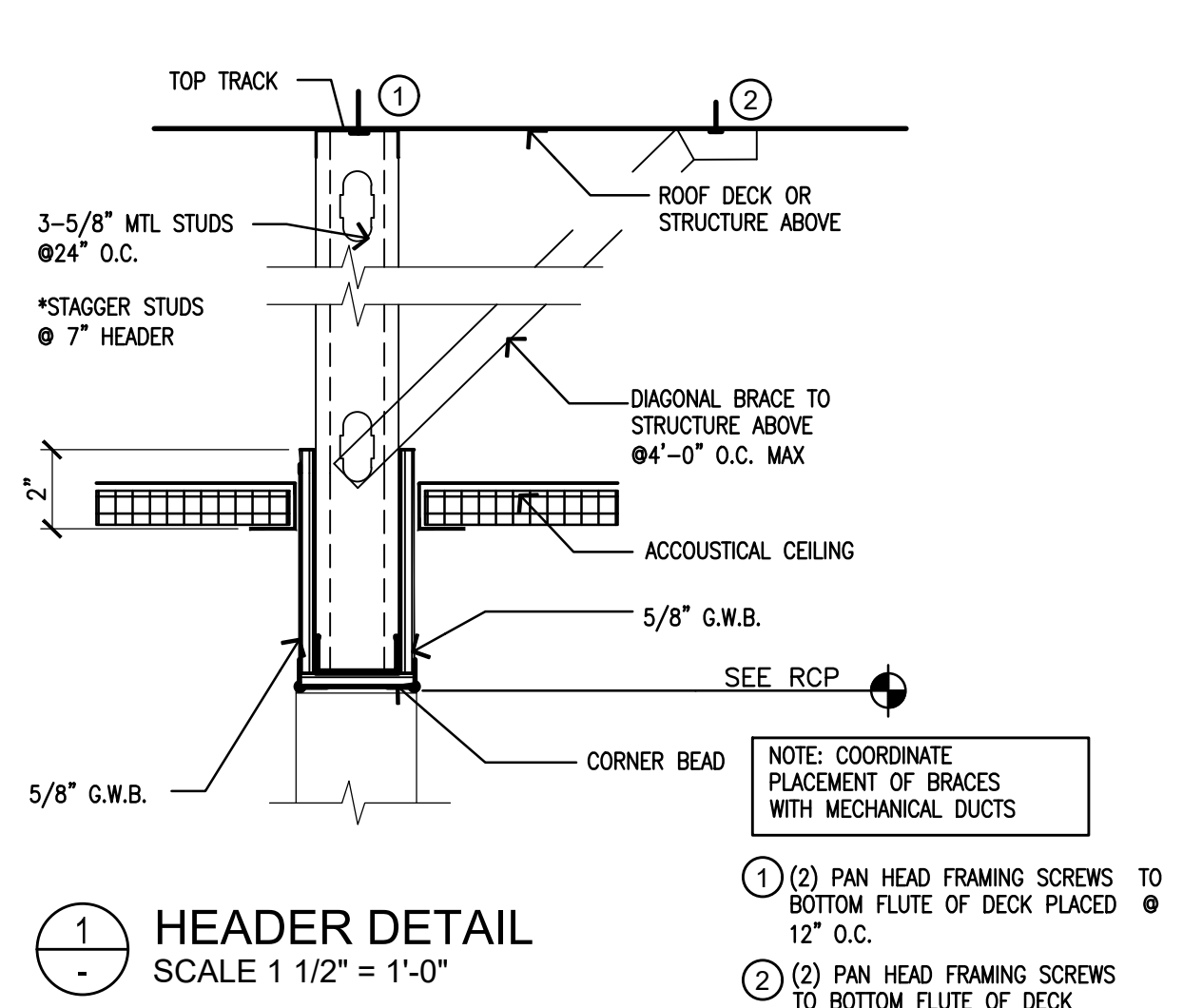


6 TYP. SPECIALTY MOUNTING DIAG.
SCALE: N.T.S.

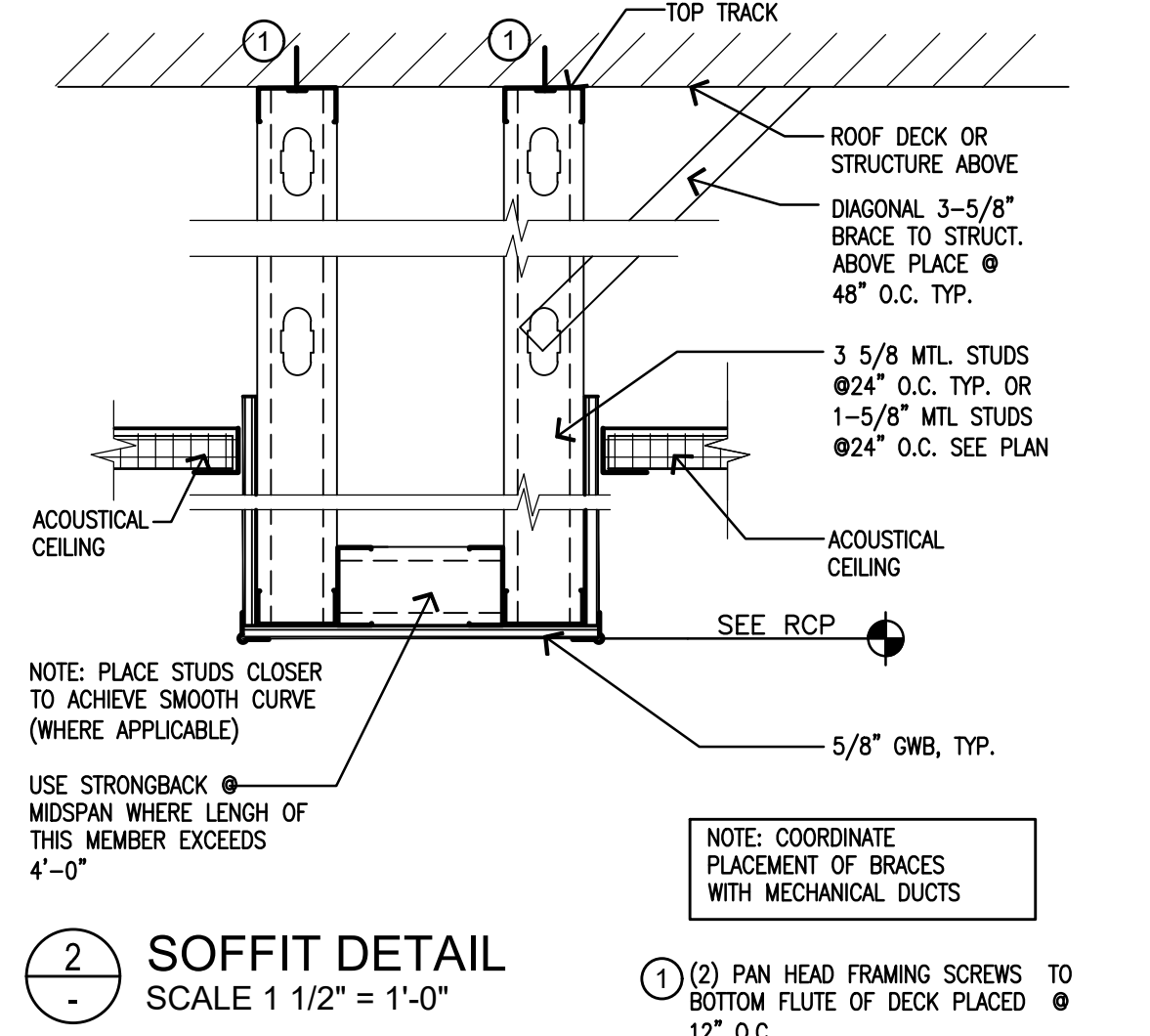


5 TYP. RESTROOM DIAGRAM
SCALE: 1/4"=1'-0"

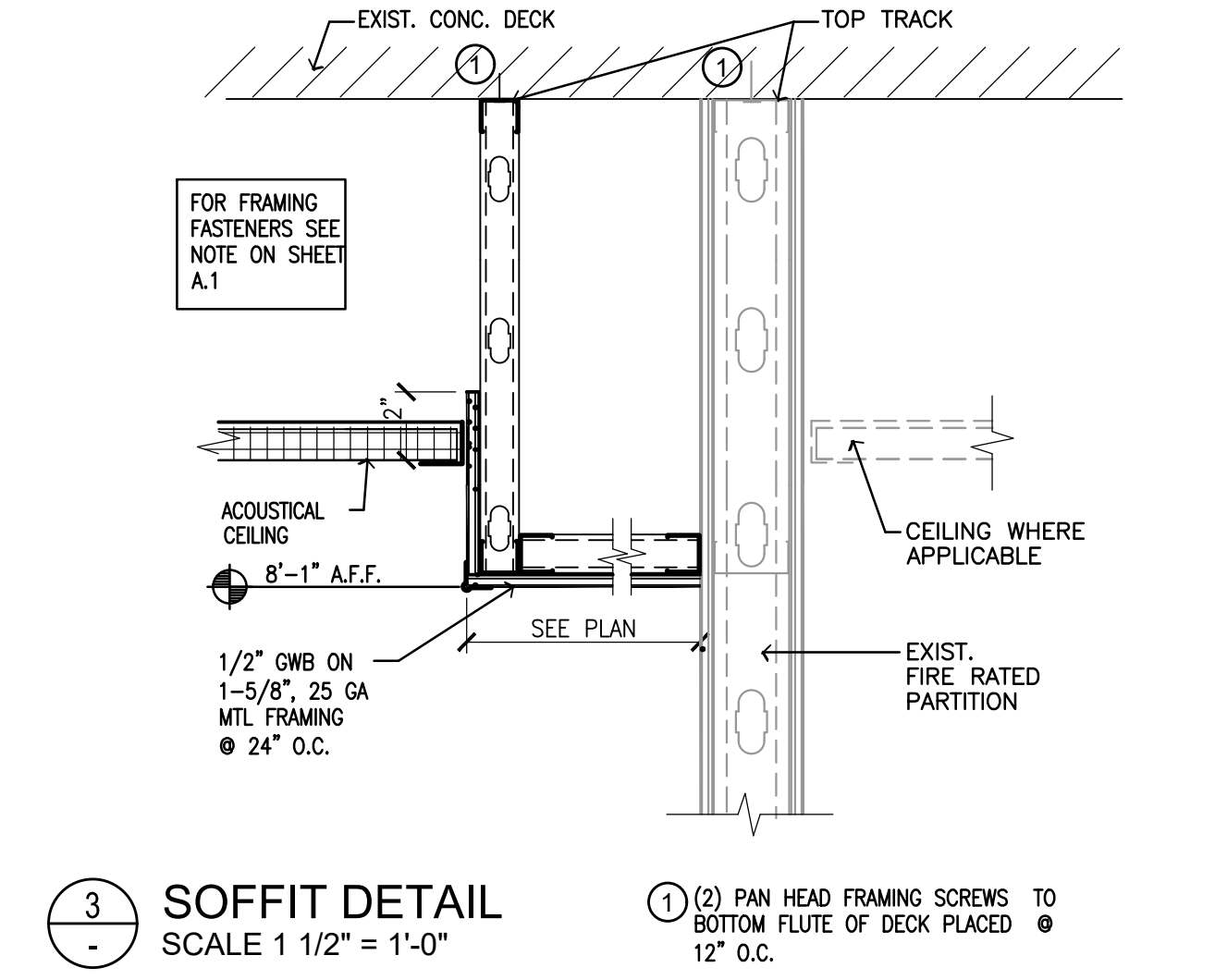
- NOTES:
- ON INSIDE WALL FACE USE 5/8" MOISTURE RESISTANT GWB
 - SEE FINISH SCHEDULE FOR INTERIOR FINISHES
 - SEE DOOR SCHEDULE FOR DOOR REQUIREMENTS
 - FOR PLUMBING FIXTURES SEE PLUMBING SHEETS
 - FOR MOUNTING HEIGHTS SEE DIAGRAMS THIS SHEET
 - INSULATE PLUMBING PER CODE



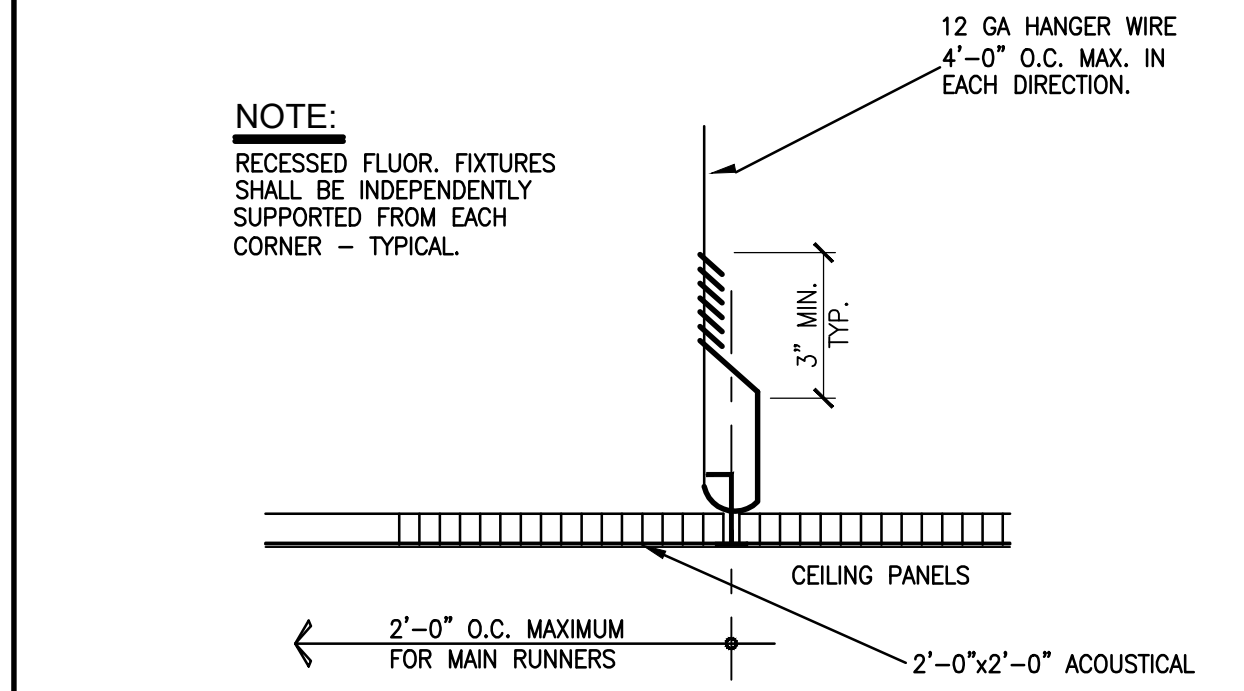
1 HEADER DETAIL
SCALE 1 1/2" = 1'-0"



2 SOFFIT DETAIL
SCALE 1 1/2" = 1'-0"



3 SOFFIT DETAIL
SCALE 1 1/2" = 1'-0"



4 TYP. ACOUSTICAL PANEL CEILING DETAIL
3" = 1'-0"

CEILING PLAN LEGEND

- 2X4 FLUORESCENT FIXTURE
- 2X2 FLUORESCENT FIXTURE
- 2X2 FLUORESCENT FIXTURE WITH EMERG. BATTERY BACKUP
- HI-HAT FIXTURE
- WALL MOUNTED FIXTURE
- ⊗ 2'X2' AIR SUPPLY
- ⊗ 2'X2' AIR RETURN
- ⊗ EXHAUST FAN OR REGISTER
- ⊗ OTHER AIR SUPPLY
- ⊗ OTHER AIR RETURN OR EXHAUST
- 2'X2' ACOUSTICAL CEILING TILE AND GRID, TYP. U.O.N.
- ⊙ EXIT SIGN WITH EMERGENCY BACKUP
- ⊙ WALL MOUNTED EMERGENCY BATTERY PACK
- ⊙ SPRINKLER HEAD
- SEE ELECTRICAL DRAWINGS FOR LIGHT SPECIFICATIONS