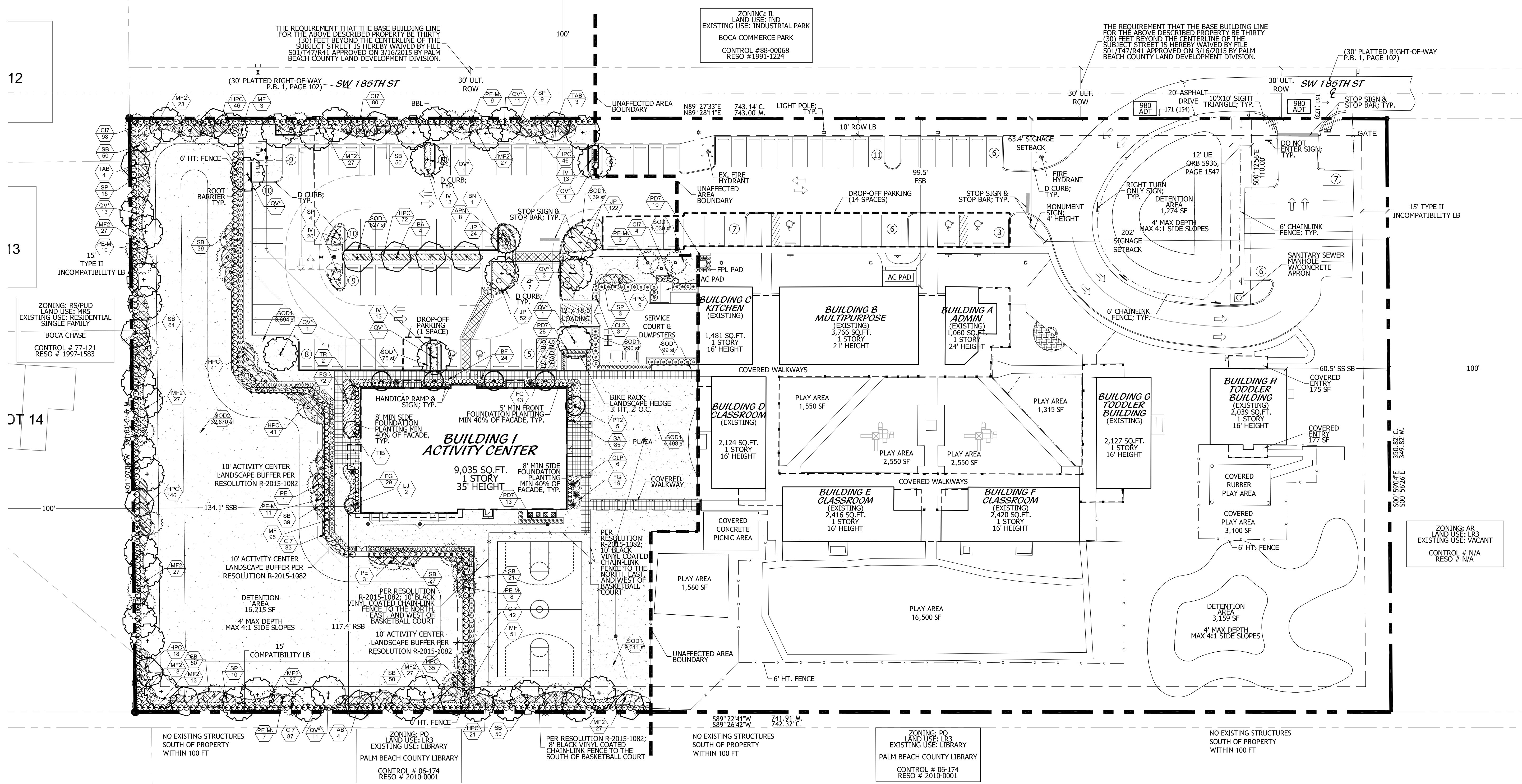


Cotleur & Hearing

Landscape Architects
Land Planners
Environmental Consultants
1934 Commerce Lane
Suite 1
Jupiter, Florida 33458
561.747.6336 · Fax 747.1377
www.cotleurhearing.com
Lic# LC-C000239

Florence Fuller Child Development Center Landscape Plan Palm Beach County, Florida



NOTE: SEE CIVIL ENGINEERING PLANS FOR REQUIRED BERM TO BE INSTALLED ALONG THE SOUTH, EAST AND WEST LANDSCAPE BUFFER. THIS INCLUDES THE UNAFFECTED AREA PORTION OF THE PROJECT SITE. ALL EXISTING TREES TO REMAIN. FINAL BERM LOCATION TO BE DETERMINED ON SITE IN COORDINATION BETWEEN CIVIL ENGINEER AND LANDSCAPE ARCHITECT. LANDSCAPE CONTRACTOR SHALL BE RESPONSIBLE FOR CLEARING OUT DEAD MATERIALS, FALLEN PALM FRONDS AND WEEDS. UNDERSTORY MATERIAL TO BE CLEARED AS NEEDED TO PLACE REQUIRED EARTH BERM.

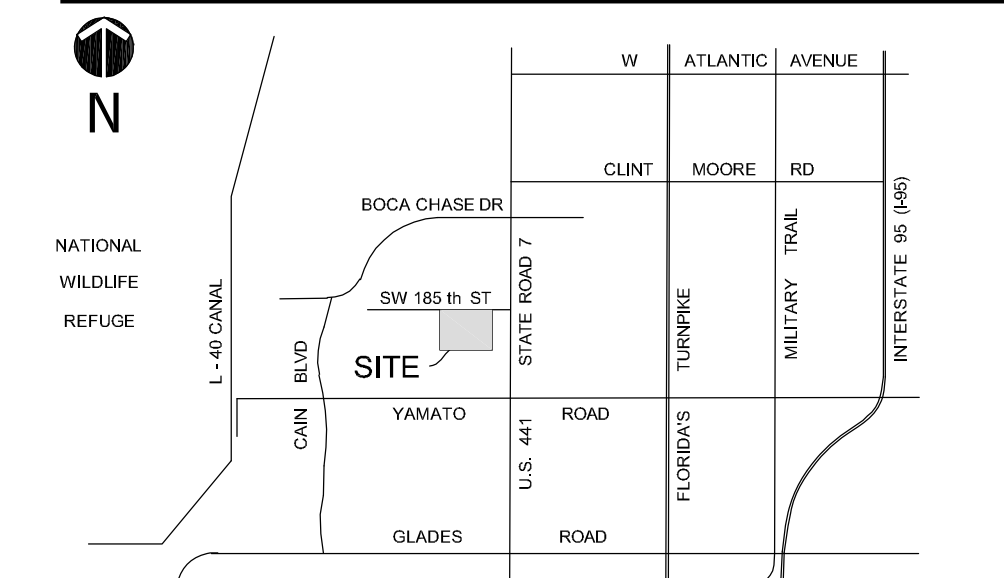
Landscape Data

NORTH PROPERTY LINE (15' ROW BUFFER)		REQUIRED	PROVIDED
1 CANOPY TREE PER 20 LF	275 LF	14	11 PROPOSED LIVE OAK 3 PROPOSED TABEBUIA
TOTAL		14	14 TREES
1 PALM/PINE TREE PER 30 LF	275 LF	9	9 PROPOSED SABAL
TOTAL		9	9 PALM/PINE
1 LARGE SHRUB PER 4 LF	275 LF	69	80 LARGE SHRUB (COCOPLUM, CLUSIA, PODOCARPUS)
1 MEDIUM SHRUB PER 4 LF	275 LF	69	77 MEDIUM SHRUB (SIMPSON STOPPER)
1 SMALL SHRUB PER 2 LF	275 LF	138	142 SMALL SHRUB (SPARTINA, FIREBUSH)
TOTAL		276	299
SOUTH PROPERTY LINE (15' COMPATIBILITY BUFFER)		REQUIRED	PROVIDED
1 CANOPY TREE PER 20 LF	305 LF	15	11 PROPOSED LIVE OAK 4 PROPOSED TABEBUIA
TOTAL		15	15 TREES
1 PALM/PINE TREE PER 30 LF	305 LF	10	10 PROPOSED SABAL
TOTAL		10	10 PALM/PINE
1 LARGE SHRUB PER 4 LF	305 LF	76	87 LARGE SHRUB (COCOPLUM, CLUSIA, PODOCARPUS)
1 MEDIUM SHRUB PER 4 LF	305 LF	76	94 MEDIUM SHRUB (SIMPSON STOPPER)
1 SMALL SHRUB PER 2 LF	305 LF	153	171 SMALL SHRUB (SPARTINA, FIREBUSH)
TOTAL		305	352

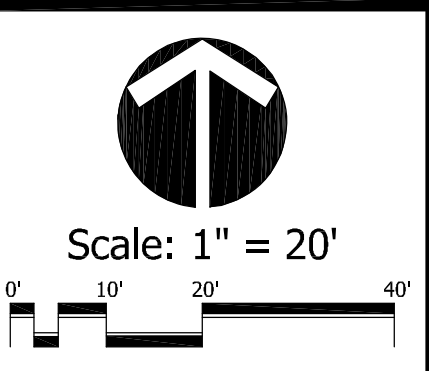
WEST PROPERTY LINE (15' INCOMPATIBILITY BUFFER)		REQUIRED	PROVIDED
1 CANOPY TREE PER 20 LF	351 LF	18	13 PROPOSED LIVE OAK 4 PROPOSED TABEBUIA 1 SABAL PALMS (3:1)
TOTAL		18	18 TREES
1 PALM/PINE TREE PER 30 LF	351 LF	12	12 PROPOSED SABAL
TOTAL		12	12 PALM/PINE
1 LARGE SHRUB PER 4 LF	351 LF	88	98 LARGE SHRUB (COCOPLUM, CLUSIA, PODOCARPUS)
1 MEDIUM SHRUB PER 4 LF	351 LF	88	99 MEDIUM SHRUB (SIMPSON STOPPER)
1 SMALL SHRUB PER 2 LF	351 LF	176	178 SMALL SHRUB (SPARTINA, FIREBUSH)
TOTAL		272	275
ACTIVITY CENTER LANDSCAPE BUFFER (10' BUFFER)		REQUIRED	PROVIDED
1 PINE TREE PER 60 LF	248 LF	4	4 PROPOSED PINE
TOTAL		4	4 PINE TREE
1 LARGE SHRUB PER 4 LF	248 LF	62	73 LARGE SHRUB (COCOPLUM, CLUSIA, PODOCARPUS)
1 MEDIUM SHRUB PER 4 LF	248 LF	62	87 MEDIUM SHRUB (SIMPSON STOPPER)
1 SMALL SHRUB PER 2 LF	248 LF	124	163 SMALL SHRUB (SPARTINA, FIREBUSH)
TOTAL		248	223

*48 ADDITIONAL PINE TREES AREA INCLUDED IN THE LANDSCAPE BUFFERS. THESE ADDITIONAL PINE TREES ARE MITIGATION TREES AND ARE IDENTIFIED AS SUCH ON THE MITIGATION PLAN. THESE PINE TREES ARE ALSO USED TO SATISFY THE CONDITION OF APPROVAL THAT THE PINE TREES IN THE ACTIVITY CENTER BUFFER BE PLANTED IN CLUSTERS OF 3 TO 5 PINE.

LOCATION MAP



DESIGNED	EP
DRAWN	EP
APPROVED	DEH
JOB NUMBER	12-0601
DATE	10-03-16
REVISIONS	



October 03, 2016 2:44:40 p.m.
Drawing: 12-0601_LFP.DWG

© COTLEUR & HEARING, INC.
These drawings are the property of the architect and are not to be used for extensions or on other projects except by agreement in writing with the architect. Immediately report any discrepancies to the architect.