

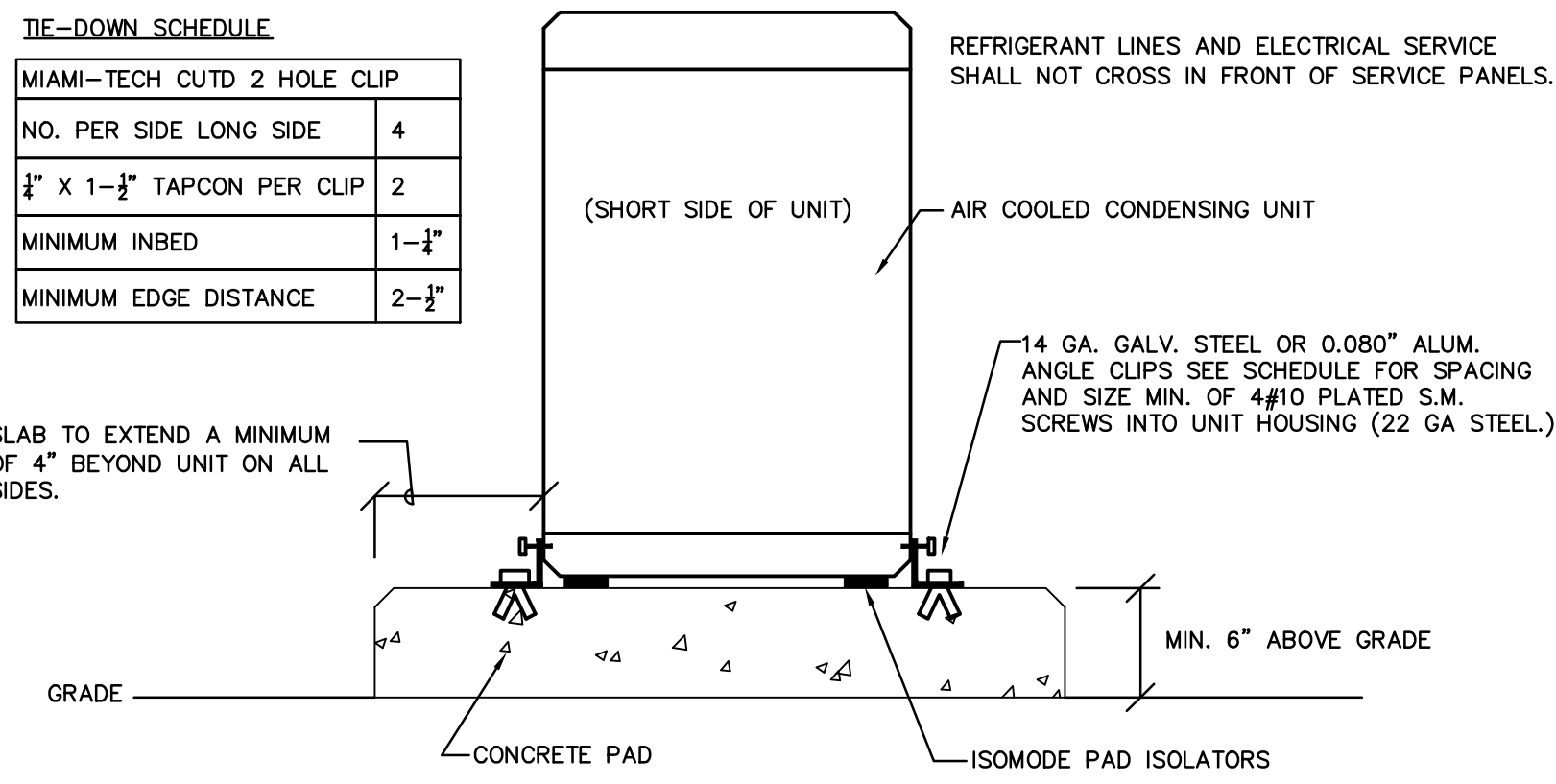
FMC - 2014:

**301.15 Wind resistance.**  
Mechanical equipment, appliances and supports that are exposed to wind shall be designed and installed to resist the wind pressures on the equipment and the supports as determined in accordance with the Florida Building Code, Building.

**TIE-DOWN SCHEDULE**

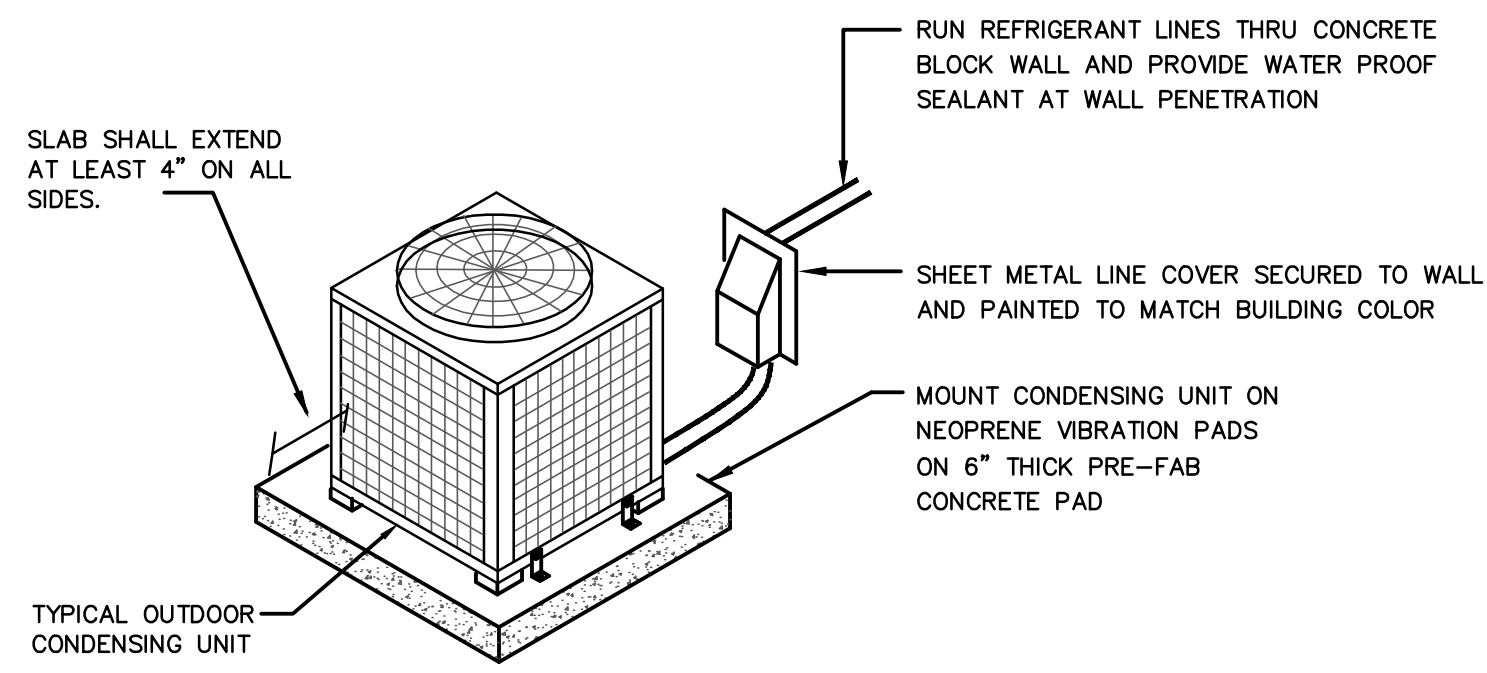
MIAMI-TECH CUTD 2 HOLE CLIP	
NO. PER SIDE LONG SIDE	4
1/2" X 1-1/2" TAPCON PER CLIP	2
MINIMUM INBED	1-1/2"
MINIMUM EDGE DISTANCE	2-1/2"

SLAB TO EXTEND A MINIMUM OF 4" BEYOND UNIT ON ALL SIDES.

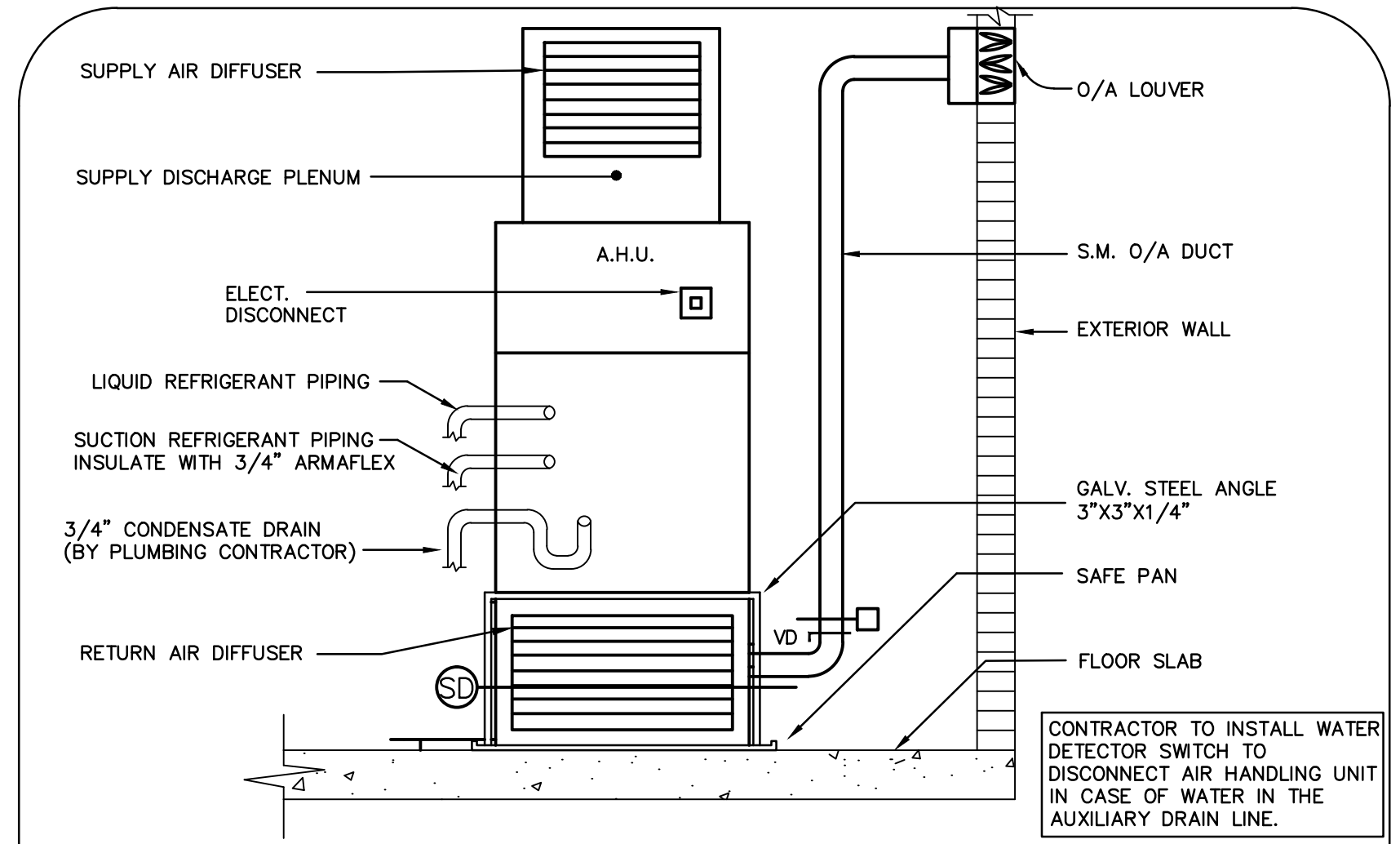


**AIR COOLED CONDENSING UNIT ATTACHMENT DETAIL**  
N.T.S.

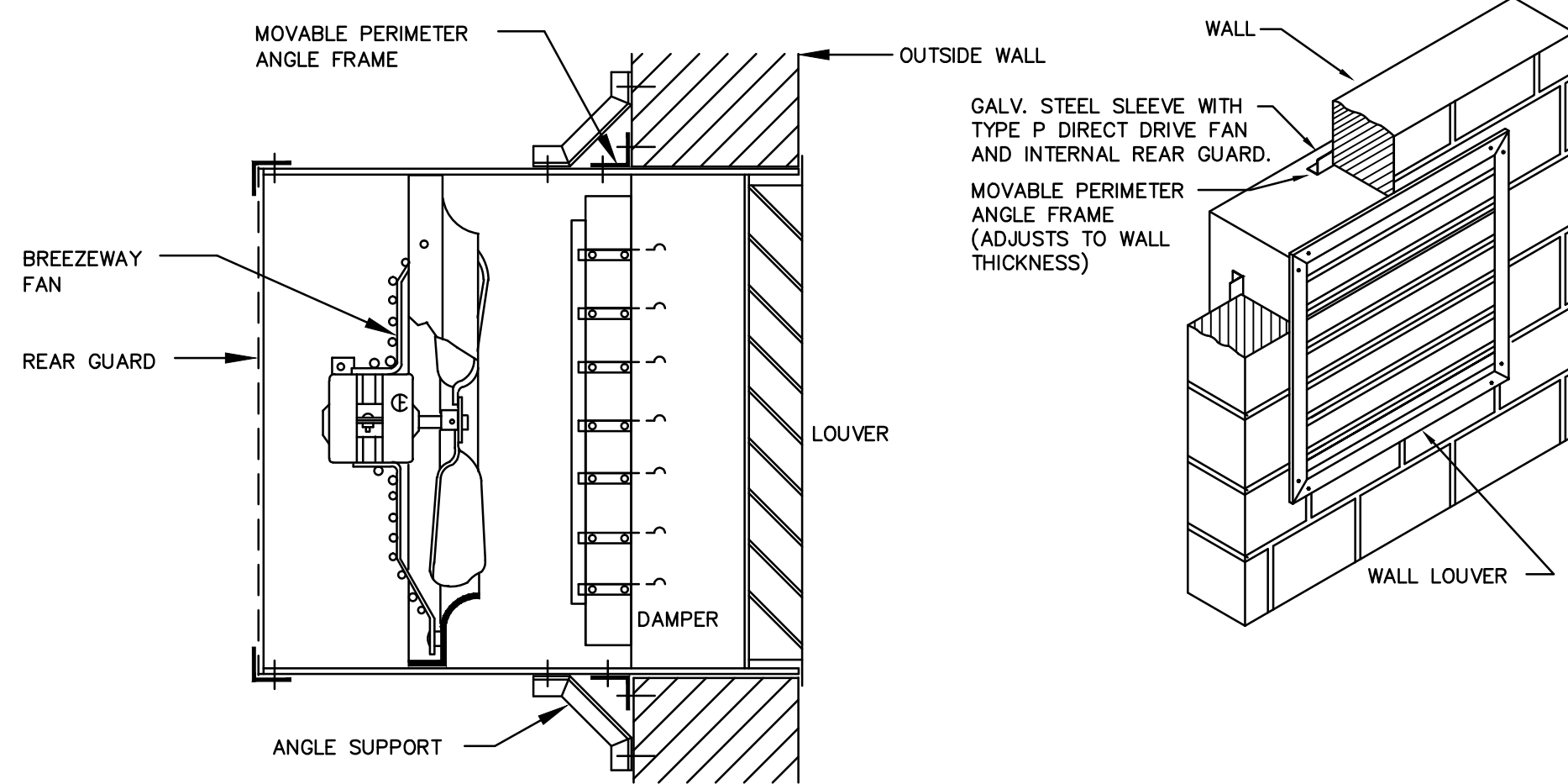
NOTE: MAINTAIN MINIMUM SERVICE/OPERATIONAL CLEARANCES AS PER MANUFACTURERS RECOMMENDATIONS



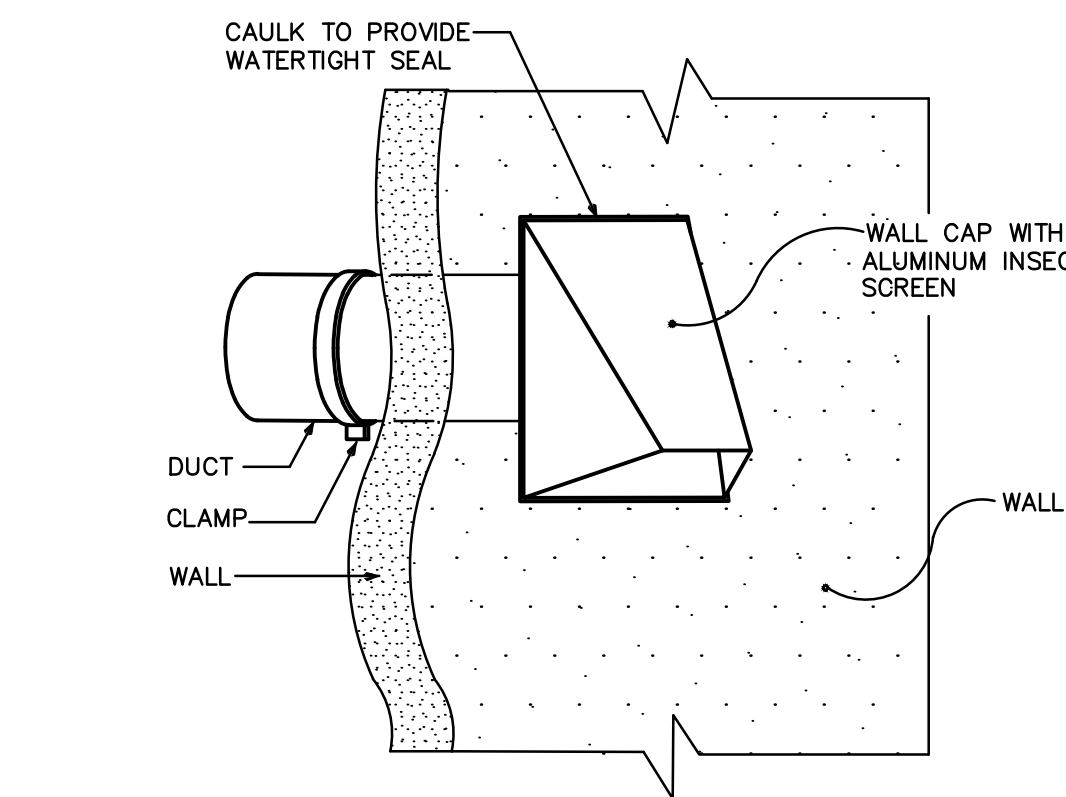
**CONDENSING UNIT MOUNTING DETAIL**  
N.T.S.



**AIR HANDLING UNIT MOUNTING DETAIL**  
N.T.S.

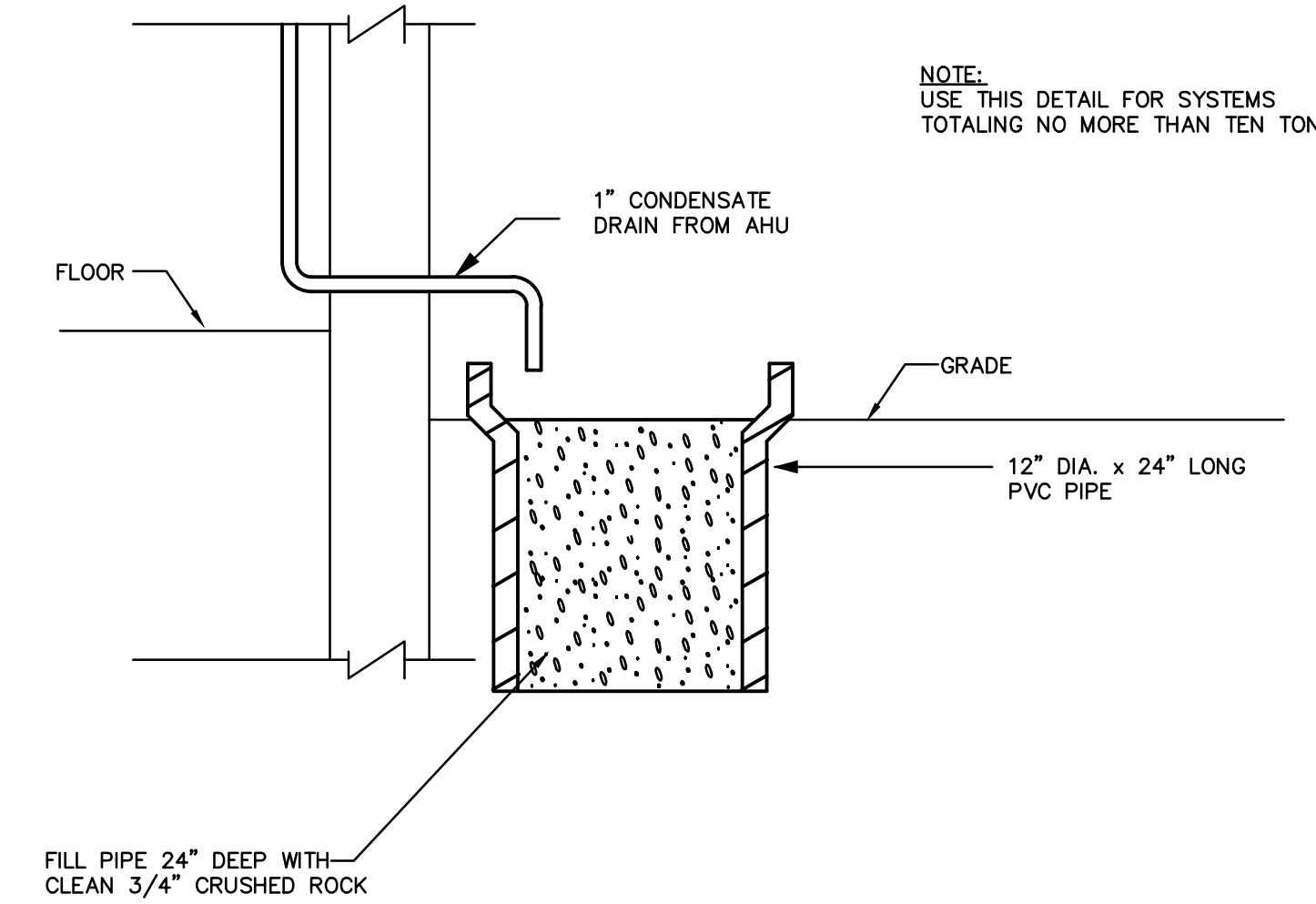


**RELOCATED WALL MOUNTED PROPELLER FAN DETAIL**  
N.T.S.



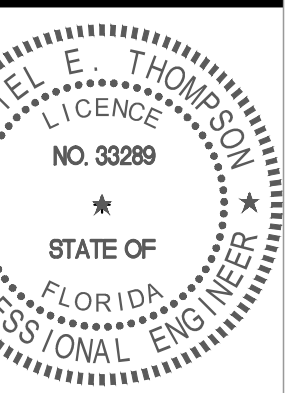
NOTE: PROVIDE CORROSION RESISTANT ALUMINUM INSECT SCREEN AT OPENING OF WALL CAP SIZED ACCORDING TO FMC 401.6: MINIMUM OPENING GREATER THAN 1/4", MAXIMUM OPENING LESS THAN 1".

**WALL CAP DETAIL (INTAKE)**  
N.T.S.



**CONDENSATE DRYWELL DETAIL - TYPE 3**  
N.T.S.

consultant:



A Renovation For:  
**Hillsboro Beach Pump Station**

1210 Hillsboro Mile  
Pompano Beach, Florida 33062

revision:

date:

commission: 16-022  
principal: DET/AJY  
project manager: AJY

file name: 16045-TB

date: 06.21.2016

title: MECHANICAL DETAILS

**NOTE**

THESE DRAWINGS ARE PREPARED PER ESTABLISHED INDUSTRY STANDARDS AND REPRESENT THE ENGINEERS DESIGN CONCEPT. THEY ARE NOT INTENDED TO PROVIDE EVERY DETAIL OR CONDITION REQUIRED TO CONSTRUCT THE BUILDING. THE CONTRACTOR THROUGH SUBMITTALS AND OTHER COORDINATION EFFORTS IS FULLY RESPONSIBLE FOR PROVIDING A COMPLETE AND OPERATIONAL BUILDING WHETHER INDICATED ON THE P L A N S O R N O T .

M-2.1

of 3 M