

REVISIONS	BY

Slatery & Associates
ARCHITECTS PLANNERS

2060 NW BOCA RATON BLVD.
 SUITE 2
 BOCA RATON, FL 33431
 TEL: 561-392-3848
 FAX: 561-392-5402
 WWW.SLATERYARCHITECTS.COM

ACTIVITY CENTER FOR FLORENCE FULLER CHILD DEVELOPMENT CENTERS WEST CAMPUS
 S.W. 185TH STREET
 BOCA RATON, PALM BEACH COUNTY, FLORIDA

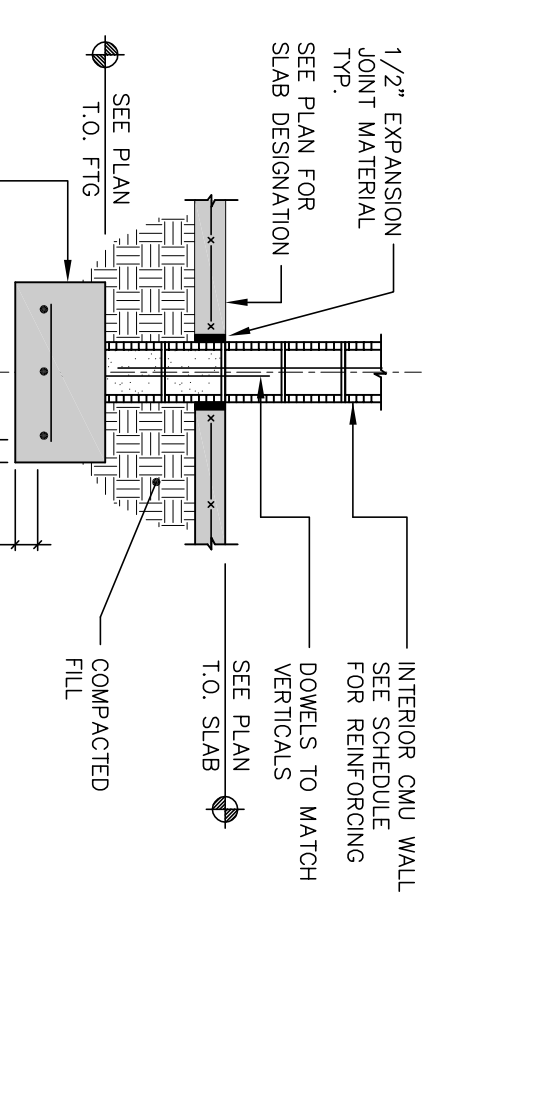
DATE	BY	CHKD	AS NOTED
10-21-16			
2011-14			

ONIMBY
 Odonelli, Naccarato, Mignogna
 STRUCTURAL ENGINEERS

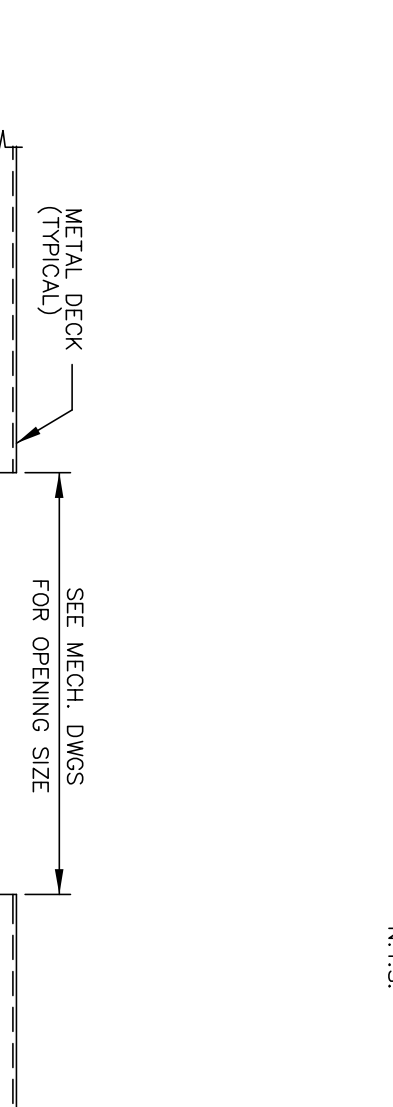
321 15TH STREET, SUITE 200
 WEST PALM BEACH, FLORIDA 33411
 (561) 833-1949 FAX (561) 833-6253

LIC #0004586
 JOB # 440.170

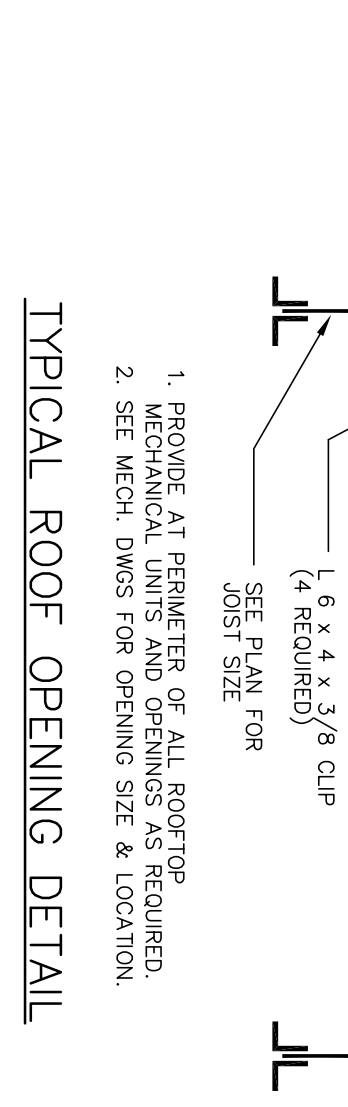
S-4



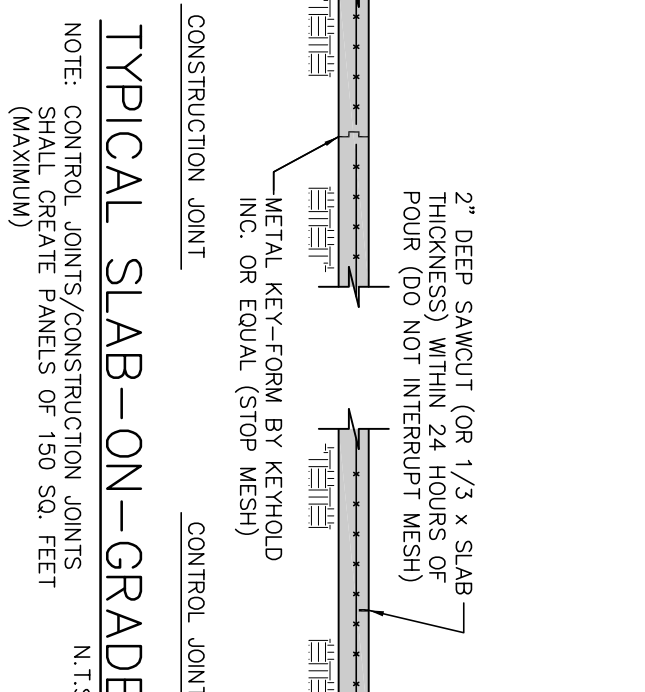
TYPICAL INTERIOR STEM WALL FOOTING DETAIL
 N.T.S.



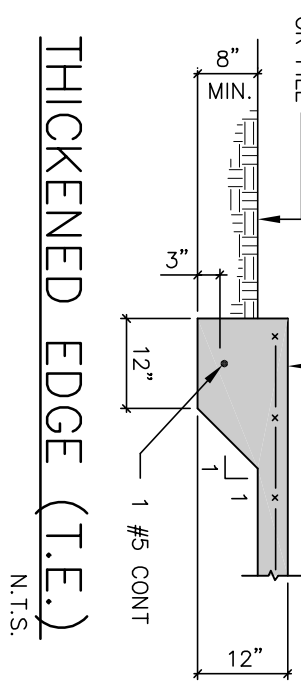
THICKENED EDGE (T.E.) DETAIL
 N.T.S.



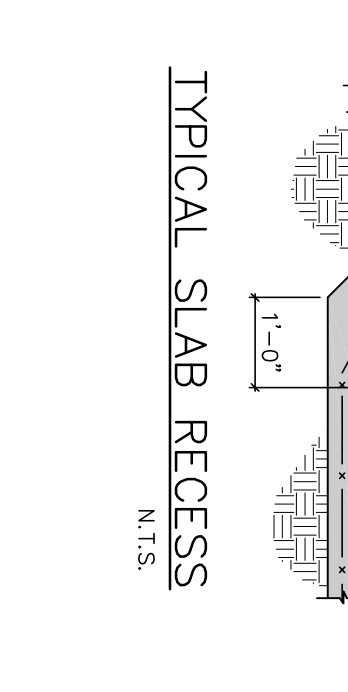
TYPICAL ROOF OPENING DETAIL
 N.T.S.



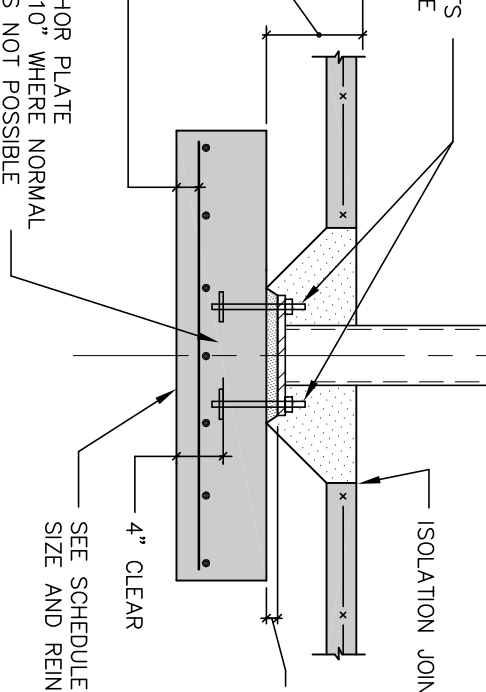
TYPICAL SLAB-ON-GRADE DETAIL
 N.T.S.



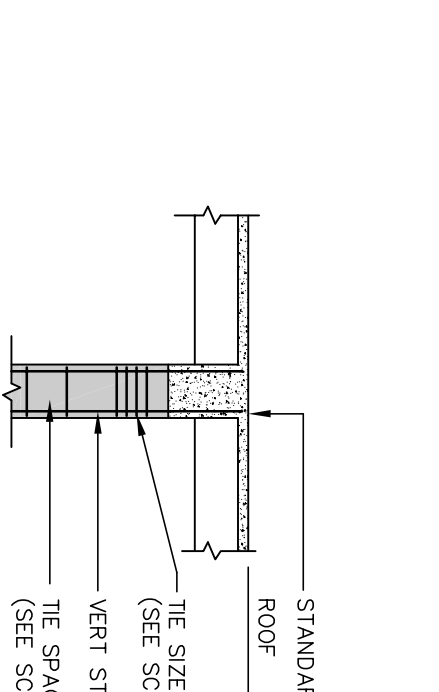
THICKENED EDGE (T.E.) DETAIL
 N.T.S.



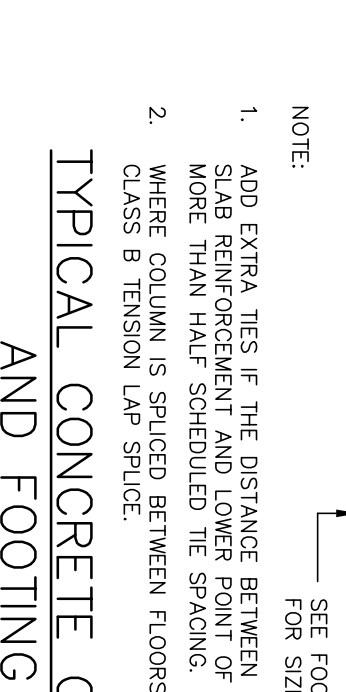
TYPICAL SLAB RECESS DETAIL
 N.T.S.



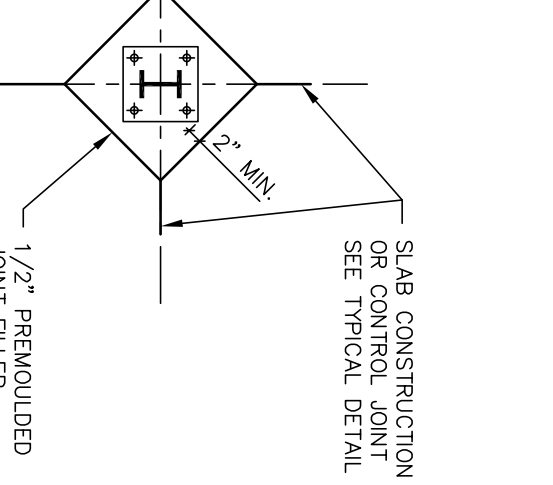
TYPICAL STEEL COLUMN FOOTING DETAIL
 N.T.S.



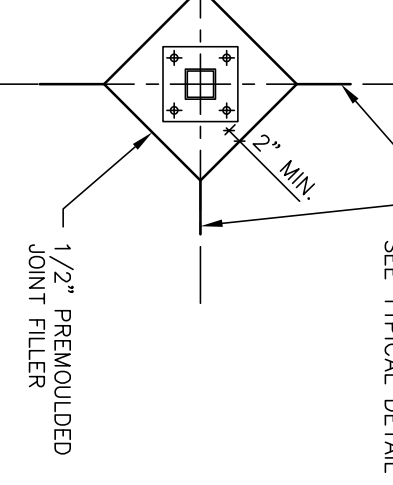
TYPICAL MASONRY FILLED CELL DETAIL
 N.T.S.



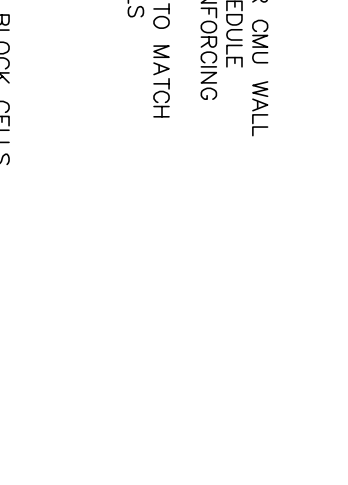
TYPICAL CONCRETE COLUMN AND FOOTING DETAIL
 N.T.S.



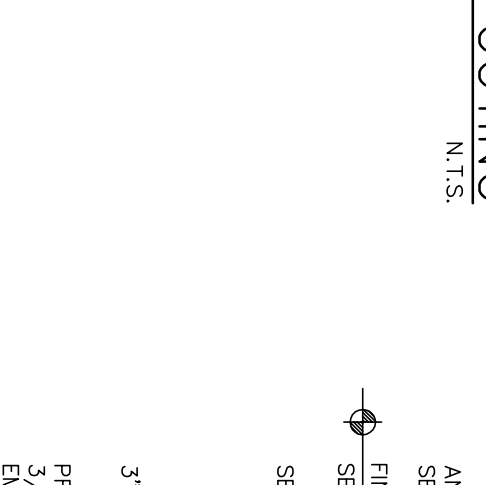
AT ROUND CONCRETE COLUMN DETAIL
 N.T.S.



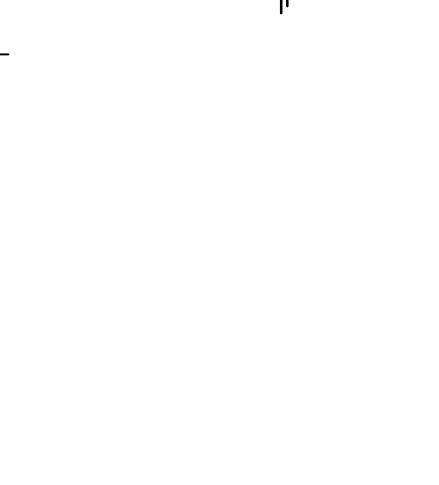
AT STEEL COLUMN DETAIL
 N.T.S.



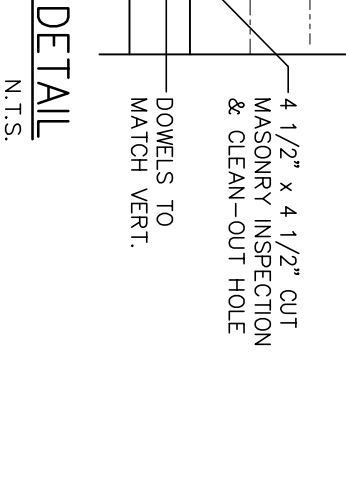
AT CONCRETE COLUMN DETAIL
 N.T.S.



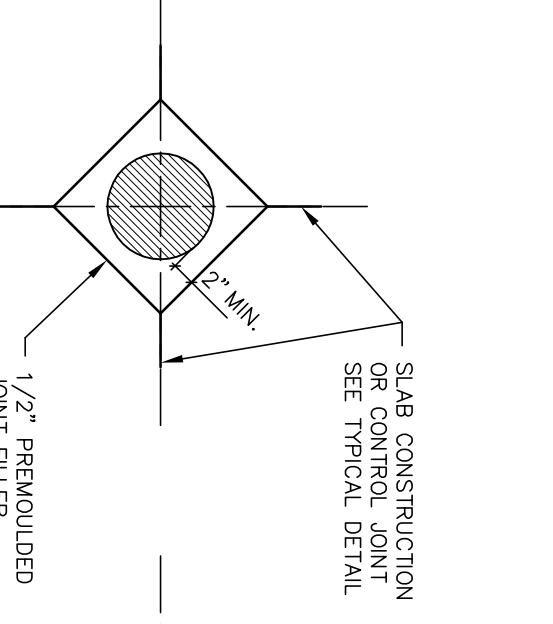
TYPICAL EXTERIOR WALL FOOTING DETAIL
 N.T.S.



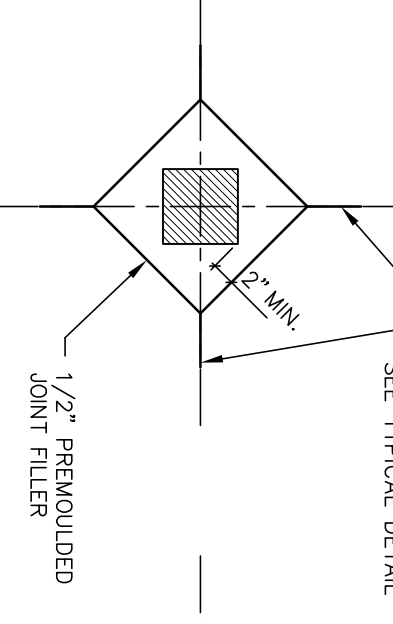
TYP. ROOF DRAIN / PIPE FRAMING DETAIL
 N.T.S.



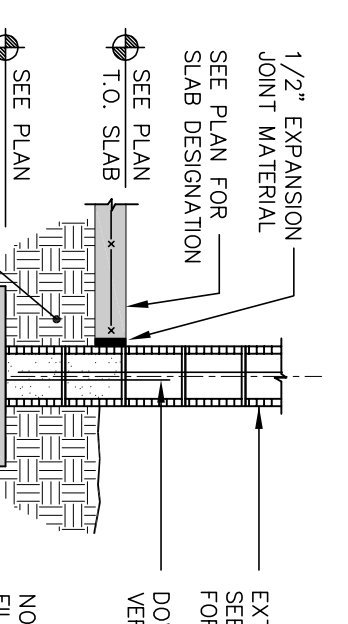
TYPICAL MASONRY FILLED CELL DETAIL
 N.T.S.



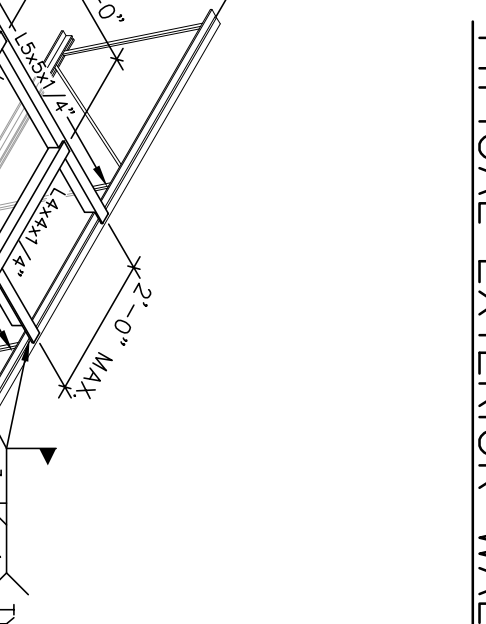
AT ROUND CONCRETE COLUMN DETAIL
 N.T.S.



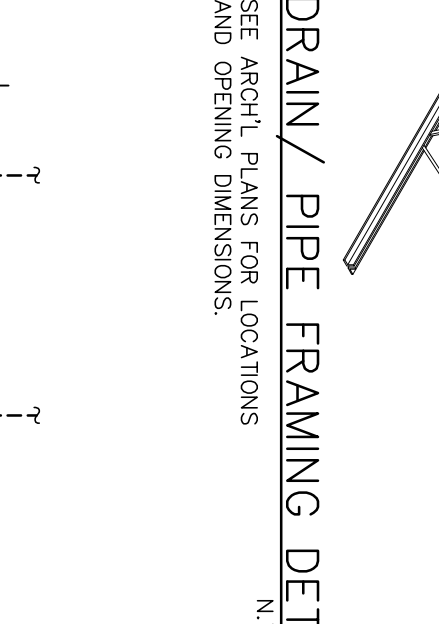
AT STEEL COLUMN DETAIL
 N.T.S.



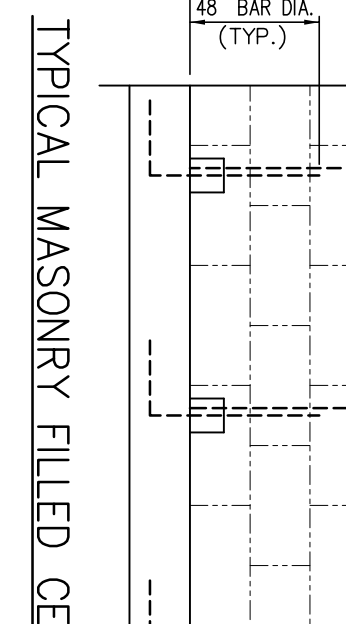
AT CONCRETE COLUMN DETAIL
 N.T.S.



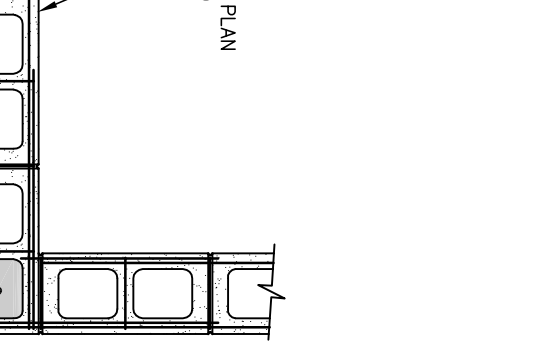
TYPICAL EXTERIOR WALL FOOTING DETAIL
 N.T.S.



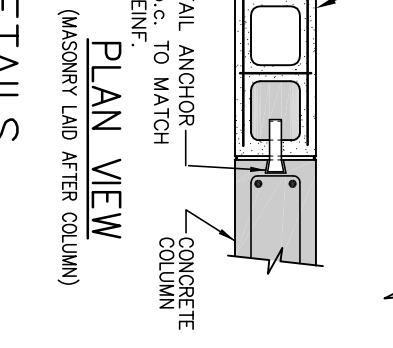
TYP. ROOF DRAIN / PIPE FRAMING DETAIL
 N.T.S.



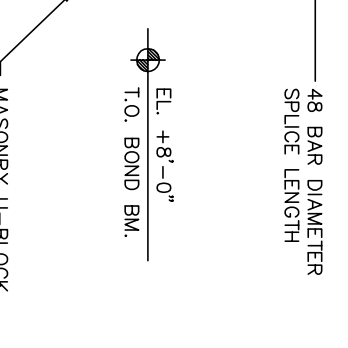
TYPICAL MASONRY FILLED CELL DETAIL
 N.T.S.



PLAN VIEW DETAIL
 N.T.S.



PLAN VIEW DETAIL
 N.T.S.



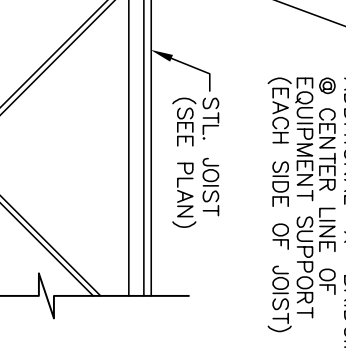
TYPICAL MASONRY DETAILS DETAIL
 N.T.S.



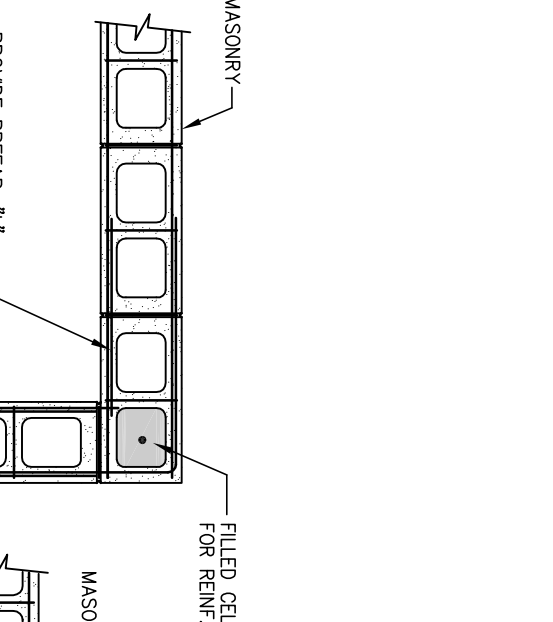
TYPICAL BOND BEAM DETAIL
 N.T.S.



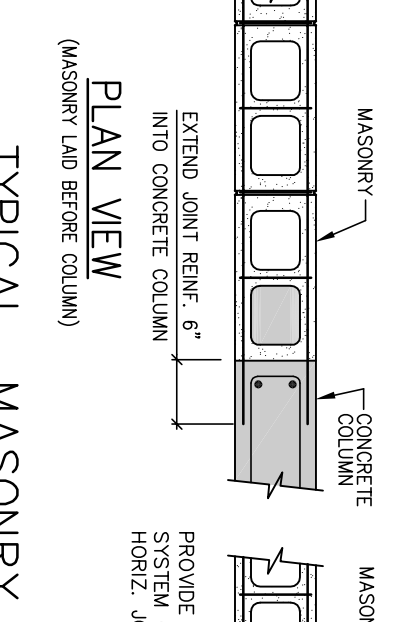
CMU WALL CONTROL JOINT (WCJ) DETAIL
 N.T.S.



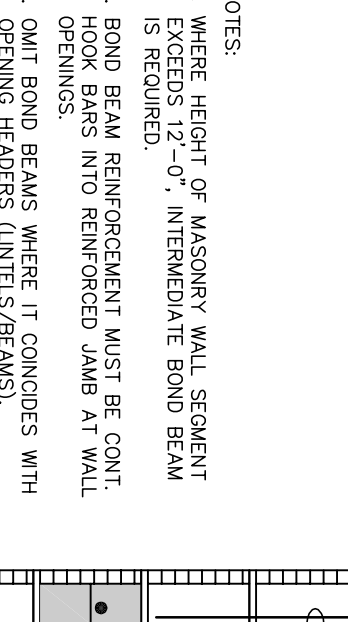
TYPICAL JOIST REINFORCING AT CONCENTRATED LOAD DETAIL
 N.T.S.



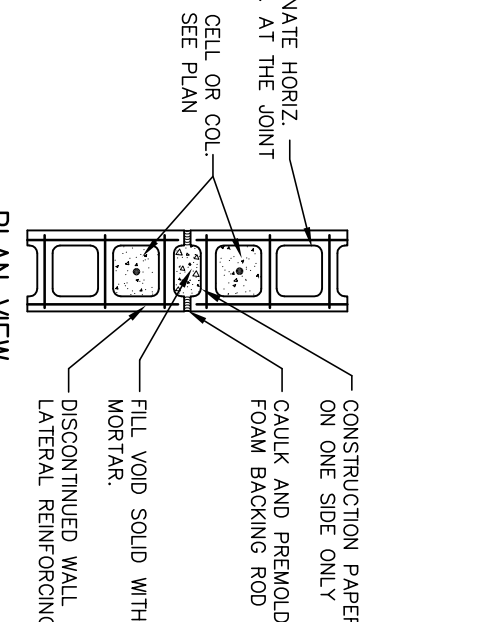
PLAN VIEW DETAIL
 N.T.S.



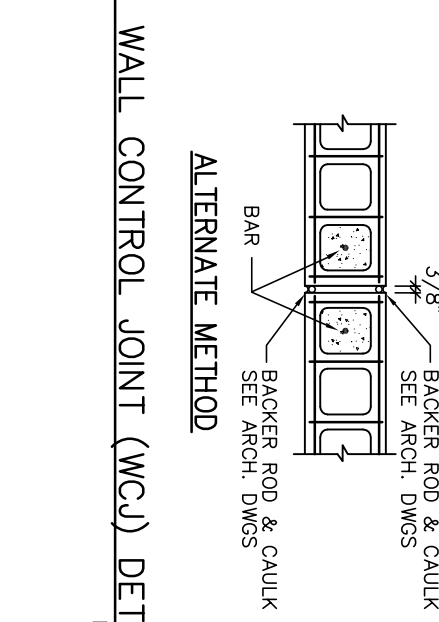
PLAN VIEW DETAIL
 N.T.S.



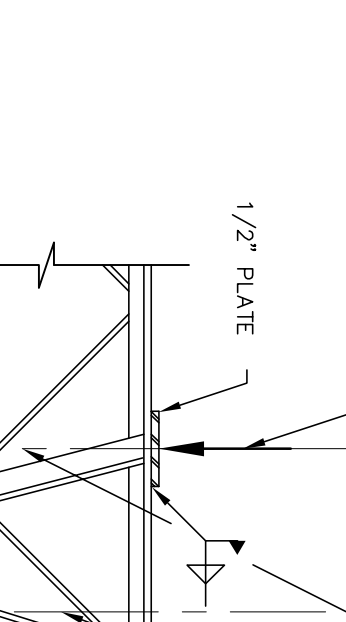
TYPICAL MASONRY DETAILS DETAIL
 N.T.S.



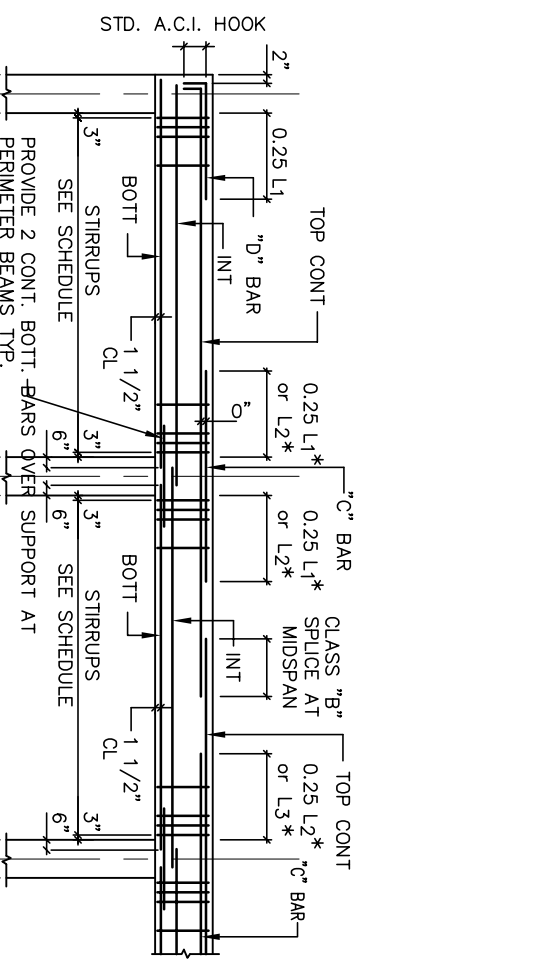
TYPICAL BOND BEAM DETAIL
 N.T.S.



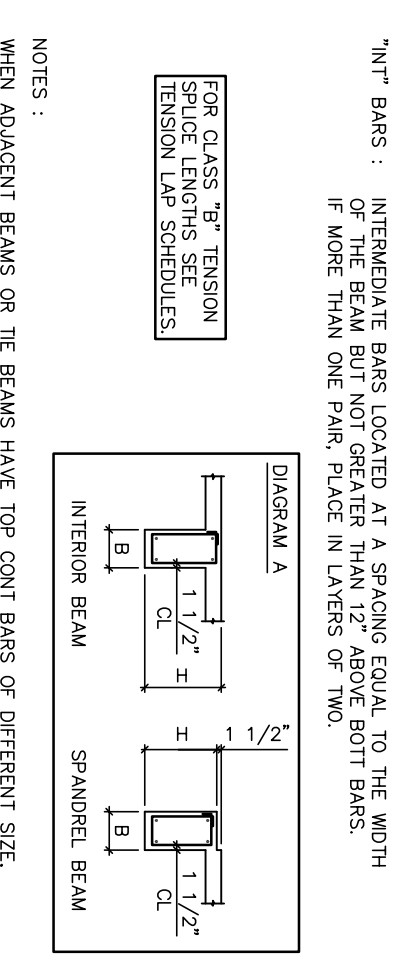
CMU WALL CONTROL JOINT (WCJ) DETAIL
 N.T.S.



TYPICAL JOIST REINFORCING AT CONCENTRATED LOAD DETAIL
 N.T.S.



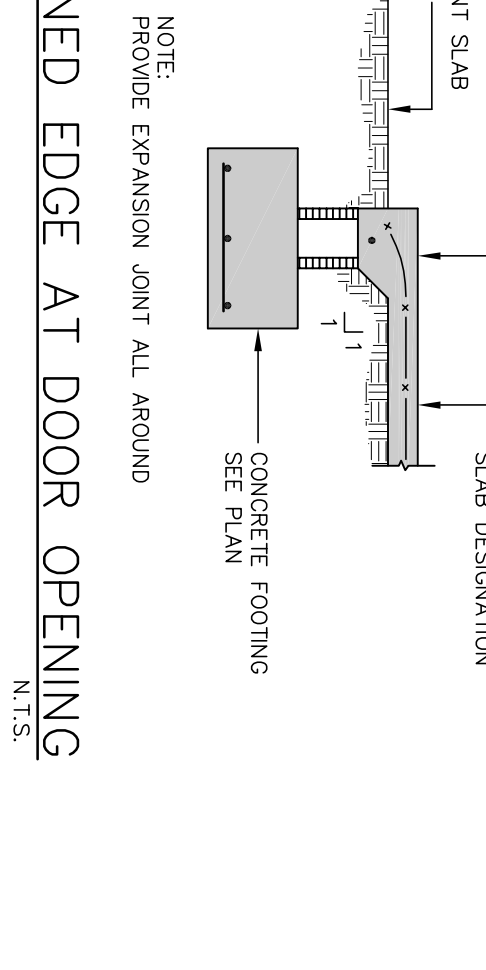
TYPICAL BEAM BAR PLACEMENT DIAGRAM
 N.T.S.



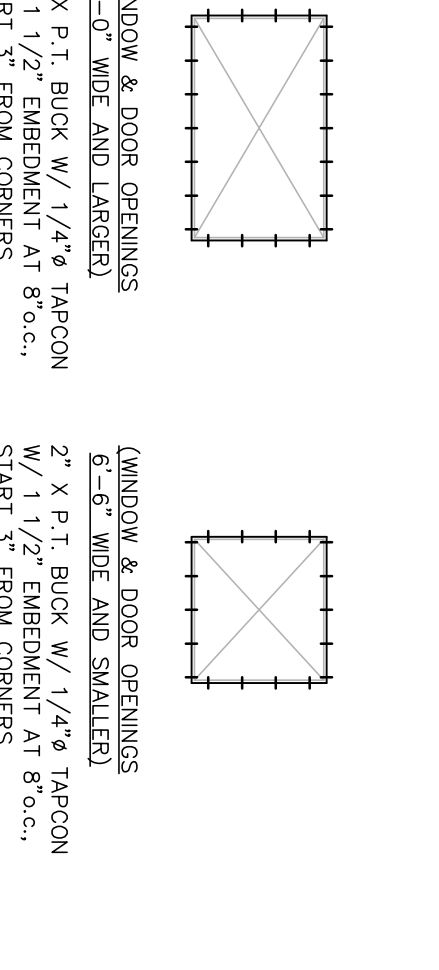
TYPICAL MASONRY DETAILS DETAIL
 N.T.S.



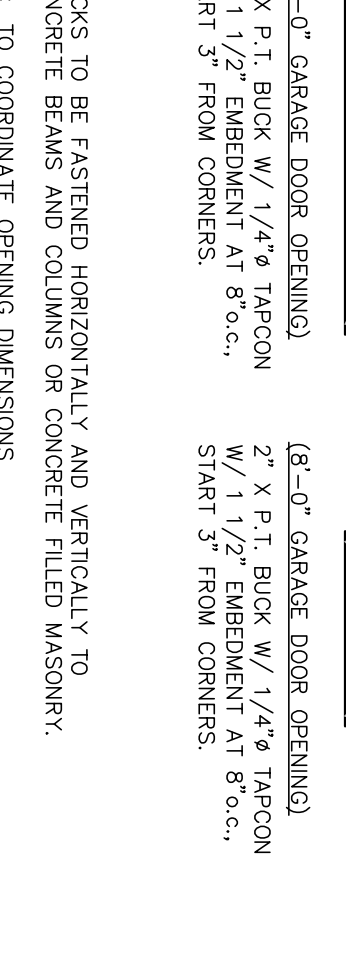
TYPICAL BOND BEAM DETAIL
 N.T.S.



THICKENED EDGE AT DOOR OPENING DETAIL
 N.T.S.



WINDOW & DOOR OPENINGS DETAIL
 N.T.S.



TYPICAL WOOD BLOCK TO CONCRETE CONNECTION DETAIL
 N.T.S.

PHASE: C.D. SET 10-21-16