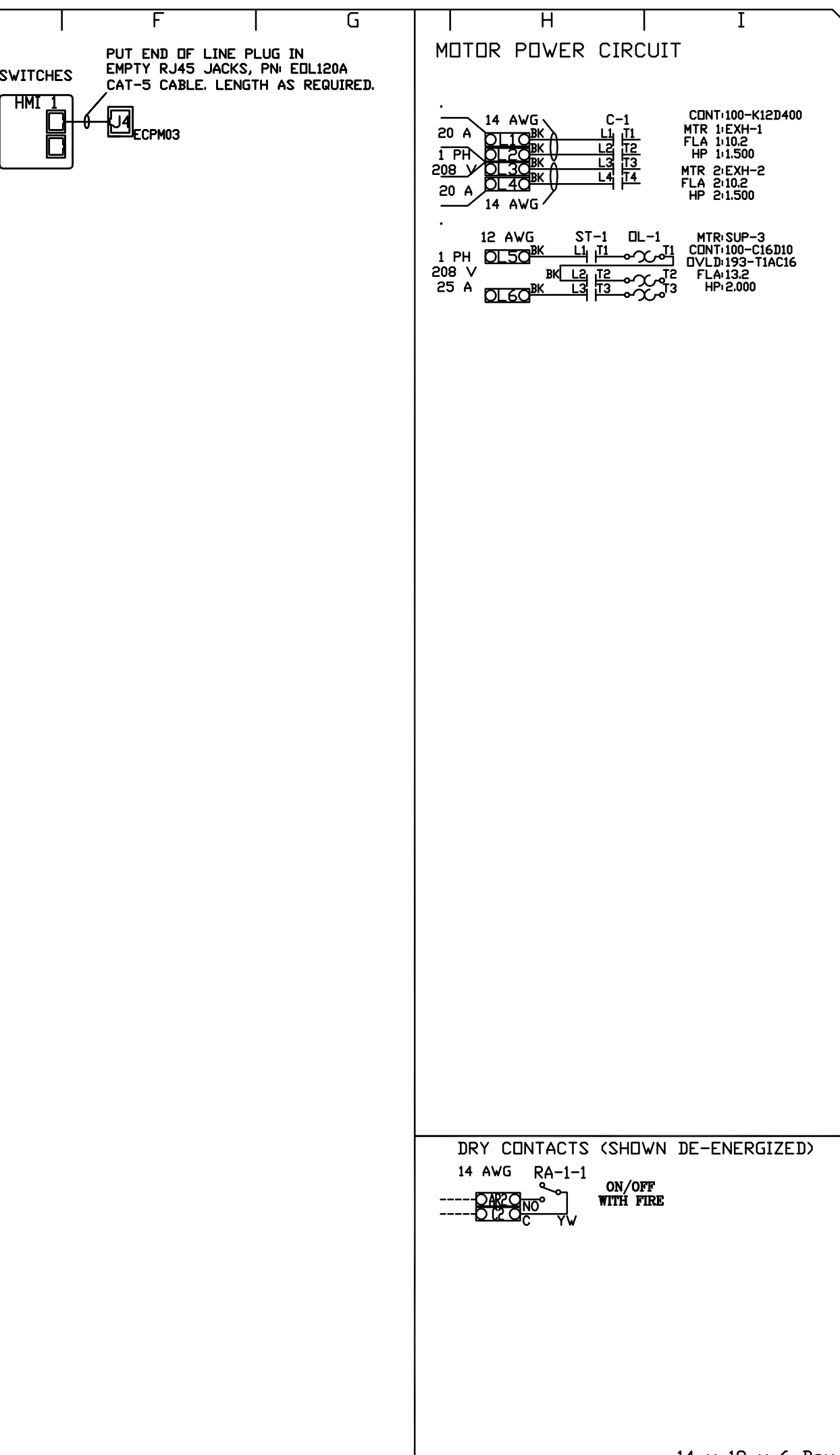
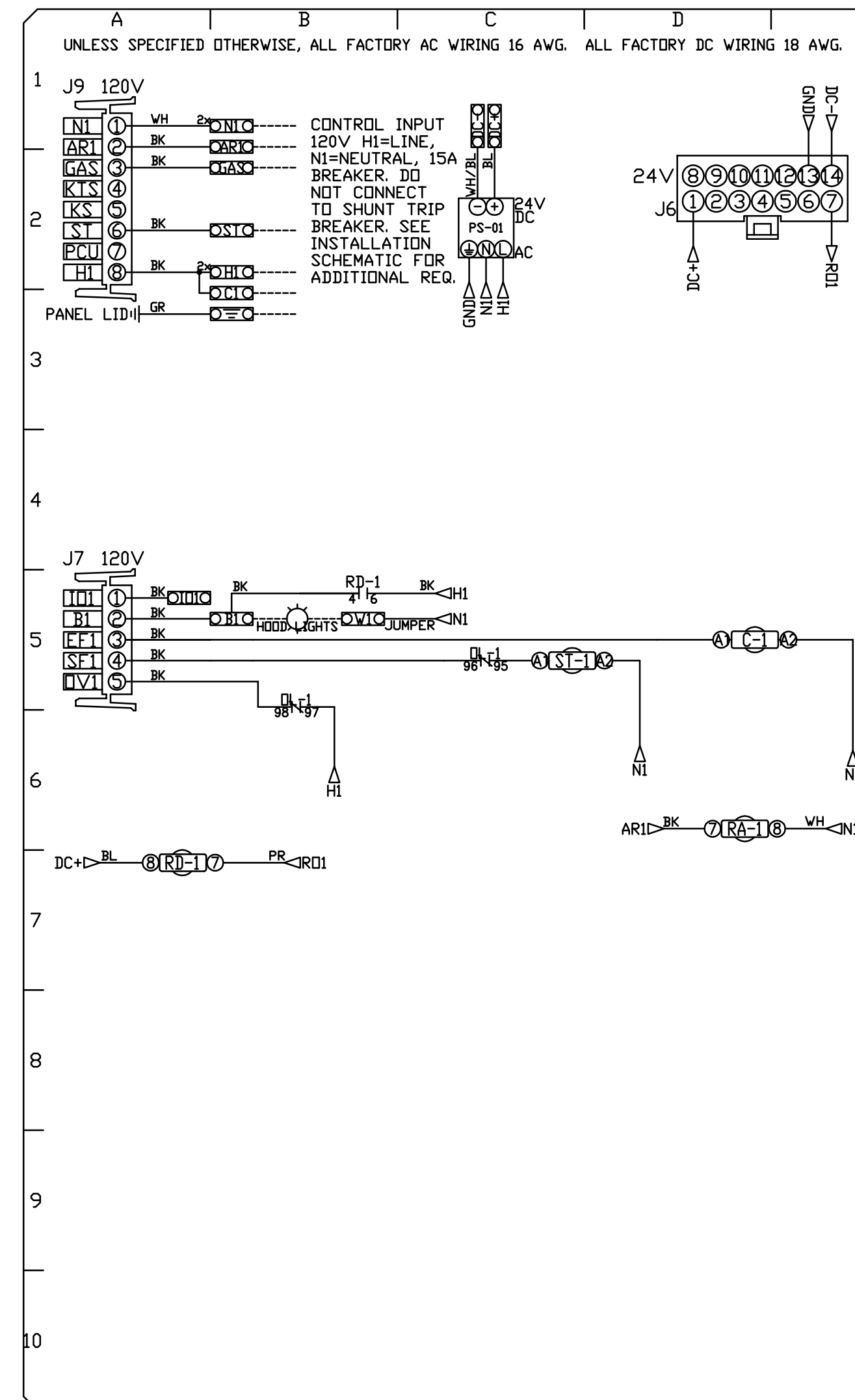
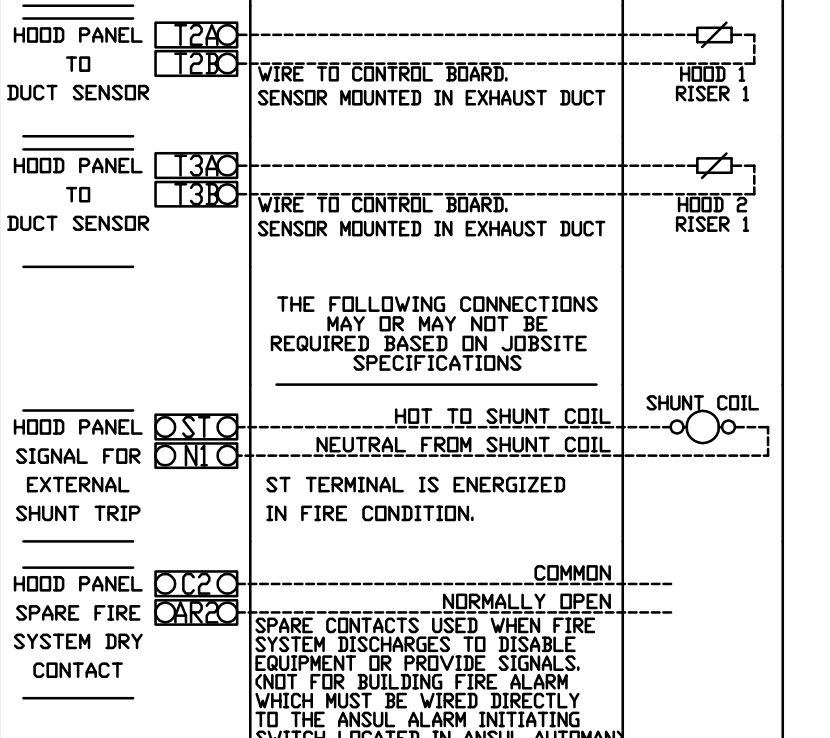
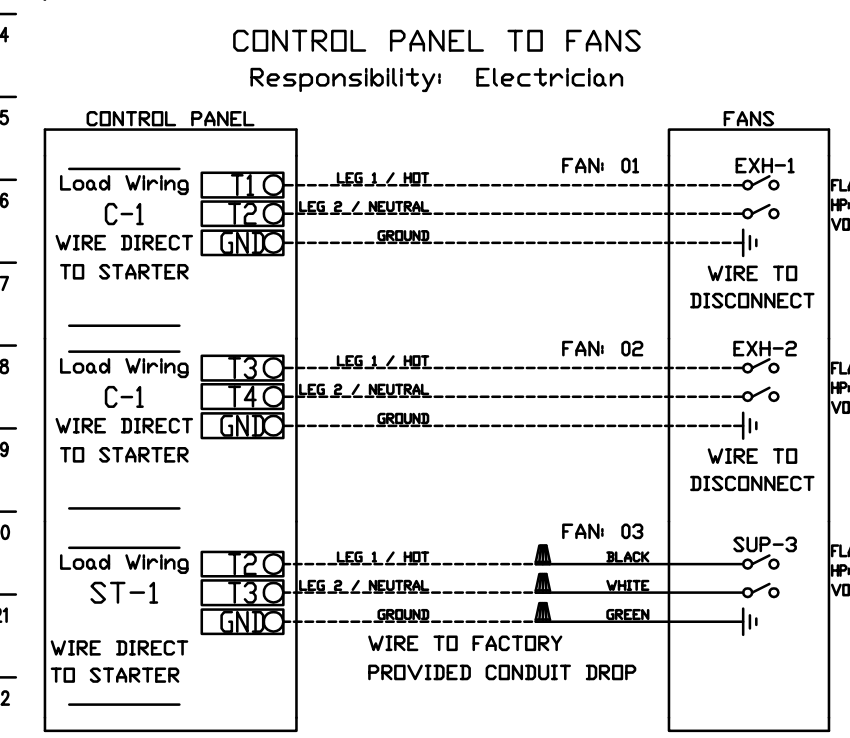
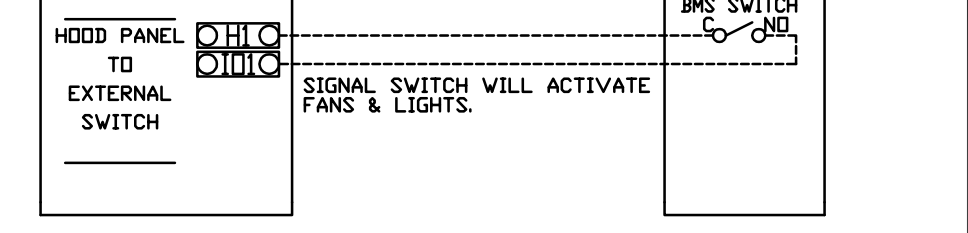
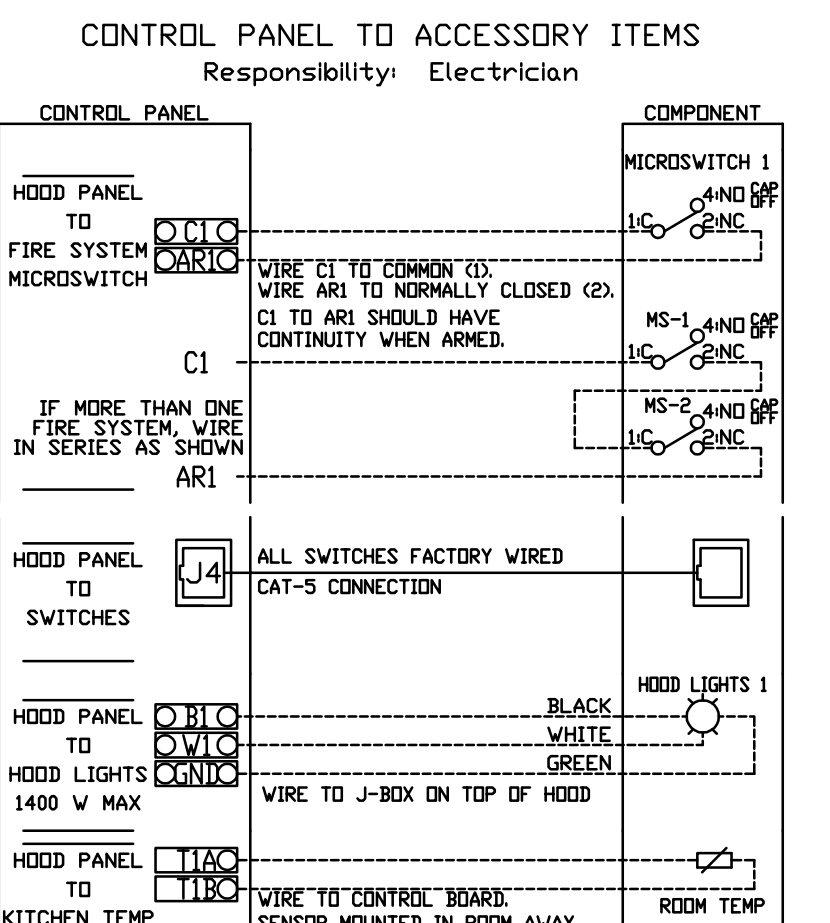
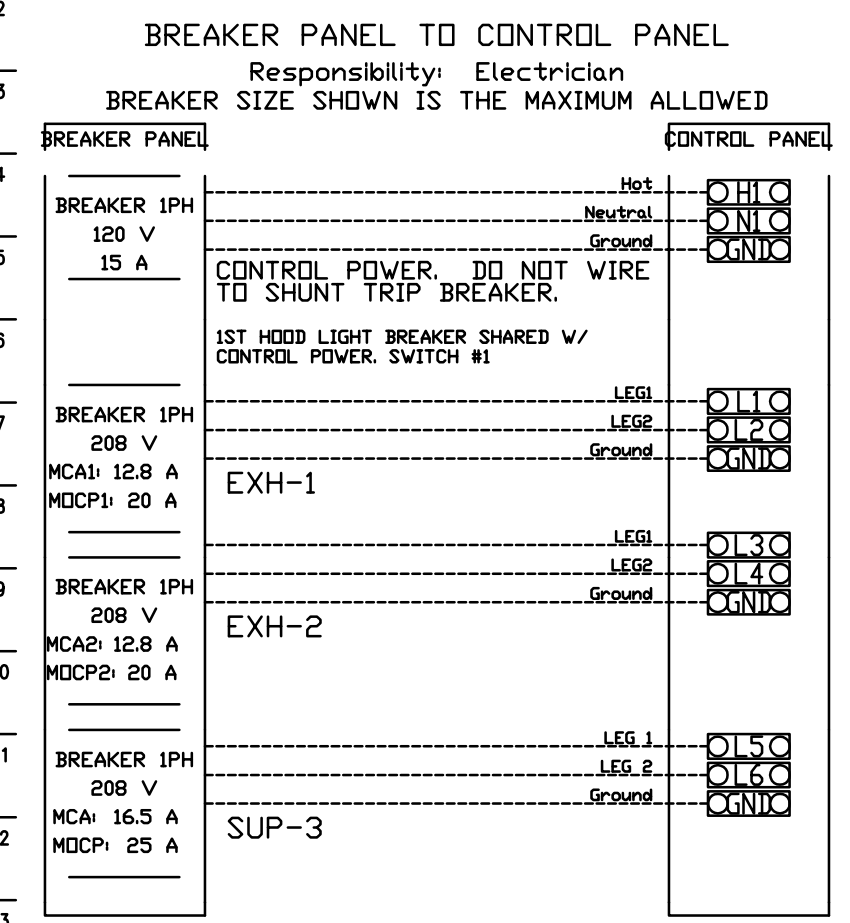


**ELECTRICAL PACKAGES -- Job#2422586**

NO.	TAG	PACKAGE #	LOCATION	SWITCHES		OPTION	FANS CONTROLLED									
				LOCATION	QUANTITY		TYPE	#	HP.	VOLT	FLA					
1		SC-22110FP	Wall Mount In SS Box	SS Wall Mount Box	1 Light	Smart Controls Thermostatic Control	Exhaust	1	1.500	208	10.2	Supply	1	2.000	208	13.2

JOB NO 2422586 MODEL NUMBER SC-22110FP  
 JOB NAME NHAC BROWARD KITCHEN  
 DRAWN BY DATE 8/31/2015  
 SCHEMATIC TYPE INSTALL  
 DESCRIPTION OF OPERATION: 208V 1 Phase w/ 2 Exhaust Fans, 1 Supply Fan, Exhaust on in Fire, Lights out in Fire, Fans(1) Dr/Off Thermostatically Controlled. Room temperature sensor shipped loose for field installation.



**FACTORY WIRING SCHEMATIC CIRCUIT BOARDS**  
 ECPM03 Rev. 1.35 HMI Rev. 1.06

**COMPONENT LIST**

DESCRIPTION	QTY
24 VDC RELAY	1
24 VDC SUPPLY	1
120V DELAY RELAY	1
24VDC LIGHT RELAY	1

**LEGEND**

FIELD WIRING  
 FACTORY WIRING  
 BK - BLACK YW - YELLOW  
 BL - BLUE GR - GREY  
 BR - BROWN PR - PURPLE  
 DR - DRAKE RD - RED  
 WH - WHITE  
 DR/BL - DR/BL STROPE  
 BL/RD - BL/RD STROPE  
 RD/WH - RD/WH STROPE  
 WV/BL - WV/BL STROPE

**DRY CONTACTS (SHOWN DE-ENERGIZED)**

ON/OFF WITH FIRE

**REVISIONS**

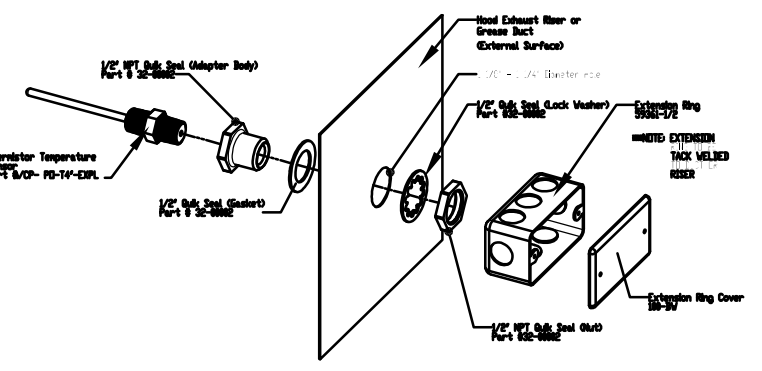
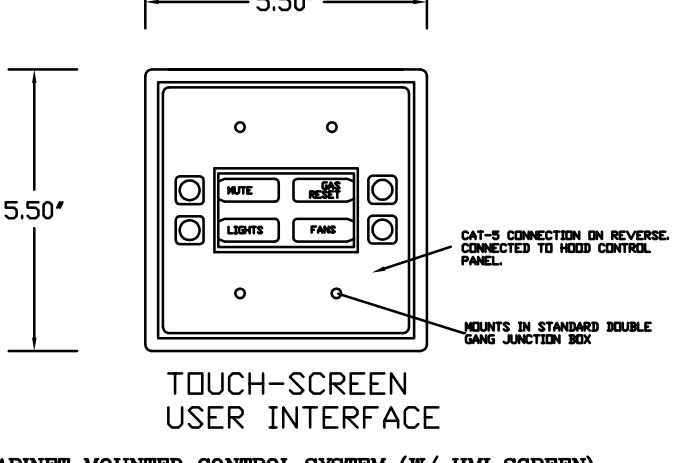
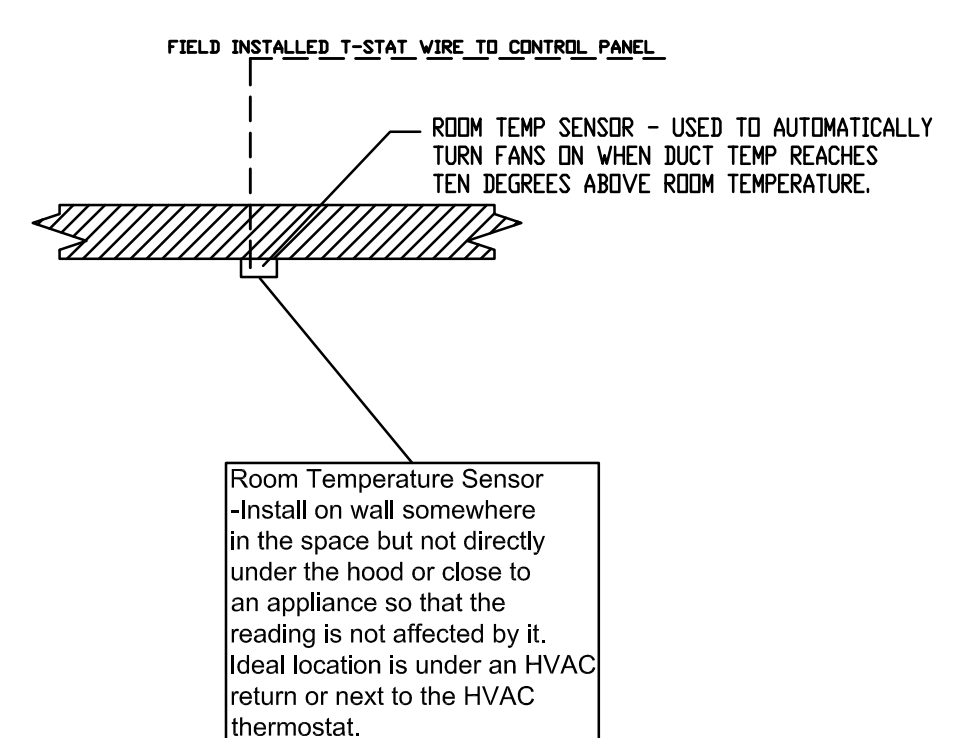
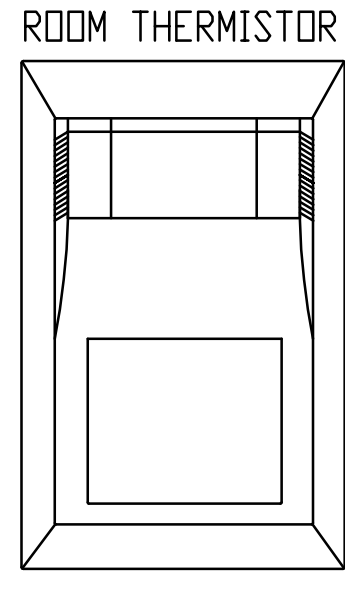
NO.	DATE	DESCRIPTION
1	03/29/16	BUILDING DEPT. COMMENTS
2	08/26/16	KITCHEN REDESIGN

**STAMP**

PROJECT: KITCHEN RENOVATION TO NORTH HOMELESS ASSISTANCE CENTER  
 BROWARD COUNTY  
 1700 BLOUNT ROAD, POMPANO BEACH, FL

**GENERAL NOTE**

DRAWINGS/DETAILS ARE TO BE CONSIDERED DIAGRAMMATIC, NOT NECESSARILY SHOWING IN DETAIL OR TO SCALE ALL MINOR ITEMS. UNLESS SPECIFIC DIMENSIONS ARE SHOWN, THE STRUCTURAL, ARCHITECTURAL AND SITE CONDITIONS SHALL GOVERN EXACT LOCATIONS. CONTRACTOR SHALL FOLLOW DRAWINGS IN LAYING OUT WORK, AND CHECK/COORDINATE DRAWINGS OF ALL TRADES.



Thermistor temperature sensor(s) used to automatically activate fans whenever cooking takes place. Wiring of temperature sensor(s) to control panel by others. Two strand 18 AWG thermostat wire provided by CaptiveAire. Thermostatic sensor(s) can be factory or field installed in hood exhaust riser(s). One thermistor temperature sensor per hood exhaust riser required.

**ELECTRICAL DETAIL AND SCHEMATIC**  
 FOR REFERENCE ONLY - ALL ELECTRICAL FIELD WORK BY LICENSED E.C.

SHEET 3 OF 7

**BUCHANAN P.E. CONSULTING INC.**  
 ELECTRICAL \* MECHANICAL \* PLUMBING  
 E N G I N E E R I N G  
 6191 W. ATLANTIC BLVD. SUITE # 2 HARGATE, FL 33063  
 PH: 954-590-3300 FAX: 954-590-2232  
 EMAIL: BUCHANANPEENGINEERS.COM

**CAPTIVEAIRE**