

HOOD INFORMATION - Job#2422586

HOOD NO.	TAG	MODEL	LENGTH	MAX. COOKING TEMP.	TOTAL EXH. CFM	EXHAUST PLENUM			TOTAL SUPPLY CFM	HOOD CONSTRUCTION	HOOD CONFIG	
						WIDTH	LENG.	DIA.			CFM	S.P.
1		5412 SND-2-PSP-F	10' 3.00"	450 Deg	2460	10'	23'	2460	-0.759'	1968	304 SS	LEFT ALDNE
2		5412 SND-2-PSP-F	10' 6.00"	450 Deg	2920	10'	24'	2520	-0.735'	2016	304 SS	RIGHT ALDNE

HOOD INFORMATION

HOOD NO.	TAG	TYPE	QTY.	HEIGHT	LENGTH	EFFICIENCY @ 9 MICRONS	QTY.	TYPE	WIRE GUARD	LOCATION	UTILITY CABINETS				FIRE SYSTEM PIPING	HOOD HANGING WGT
											TYPE	SIZE	MODEL #	QUANTITY		
1		Captrate Solo Filter	7	20"	16"	93% See Filter Spec.	3	L55 Series E26	ND						YES	539 LBS
2		Captrate Solo Filter	7	20"	16"	93% See Filter Spec.	3	L55 Series E26	ND						YES	554 LBS

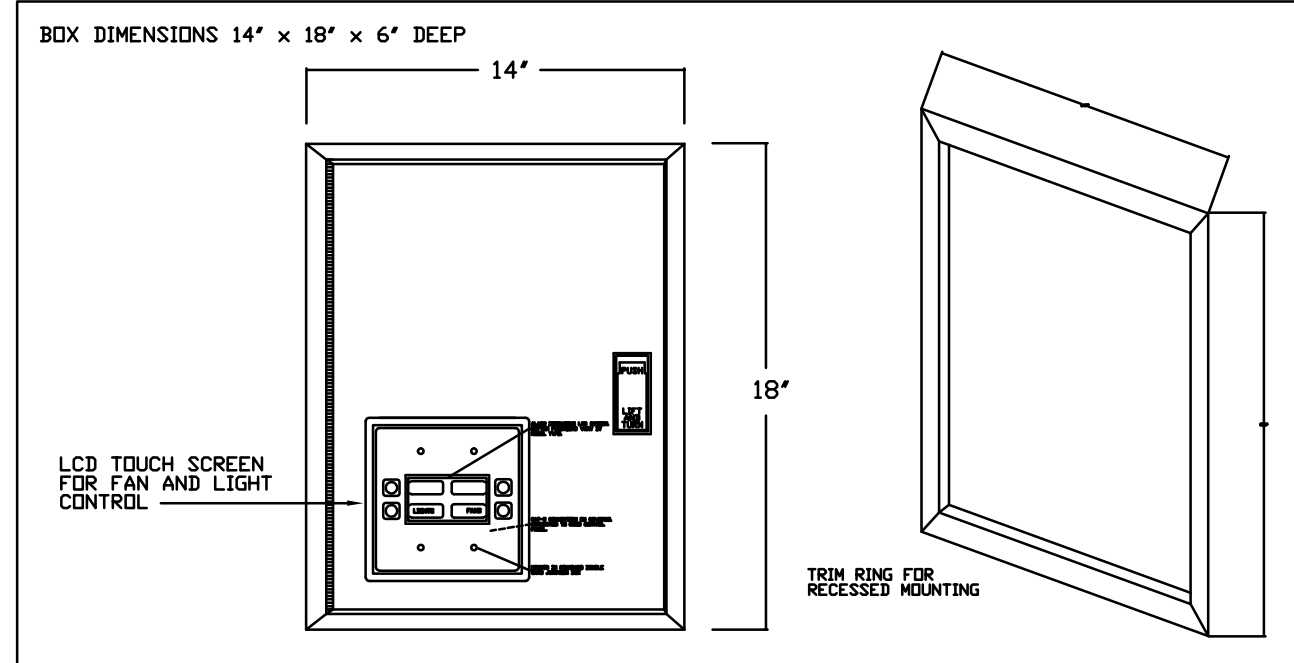
HOOD OPTIONS

HOOD NO.	TAG	OPTION
1		FIELD WRAPPER 12.00' High Front BACKSPLASH 80.00' High X 252.00' Long 304 SS Vertical LEFT SIDESPLASH 80.00' High X 54.00' Long 304 SS Vertical LEFT END STANDOFF (IN/SLP) 3" Wide 54" Long Insulated FIELD WRAPPER 12.00' High Front, Right
2		

PERFORATED SUPPLY PLENUM(S)

HOOD NO.	TAG	POS.	LENGTH	WIDTH	HEIGHT	TYPE	RISER(S)		
							WIDTH	LENG.	DIA.
1	Front	126'	18'	6'	MJA	12"	28"	653	0.163"
						12"	28"	653	0.163"
						12"	28"	672	0.172"
2	Front	126'	18'	6'	MJA	12"	28"	672	0.172"
						12"	28"	672	0.172"
						12"	28"	672	0.172"

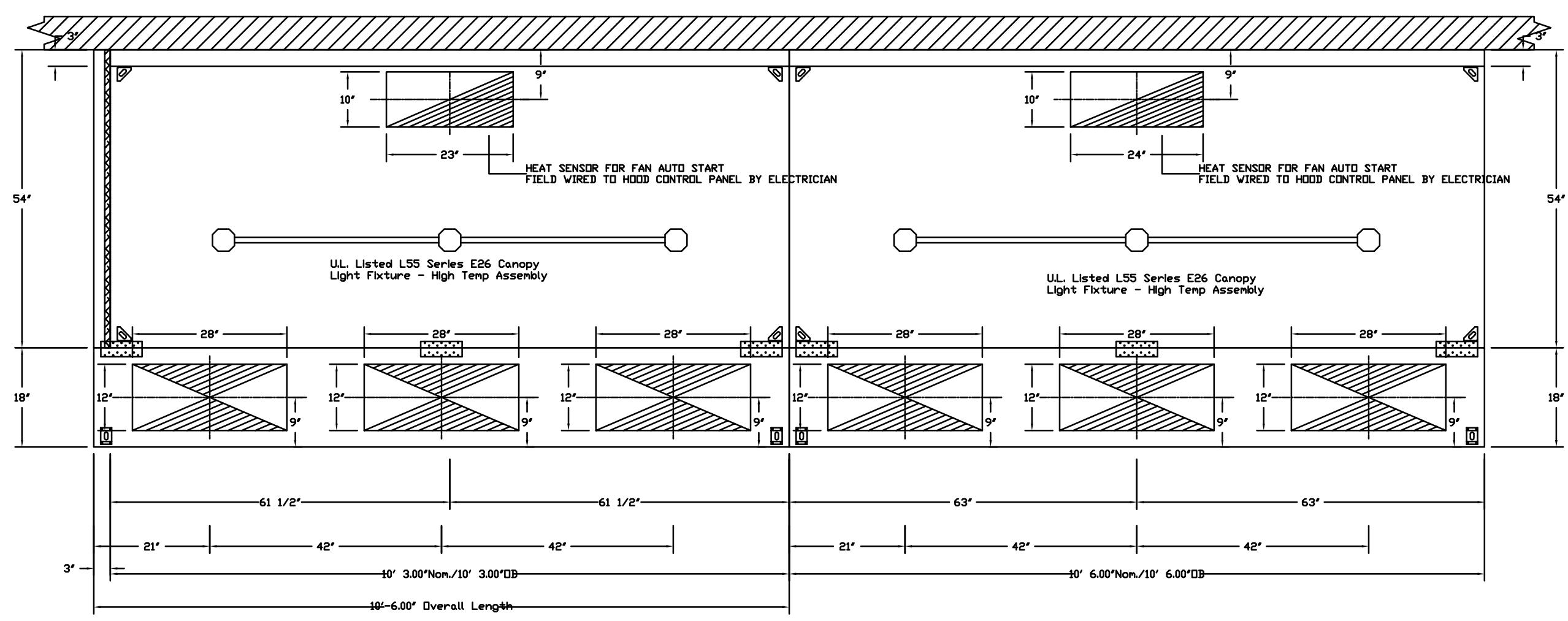
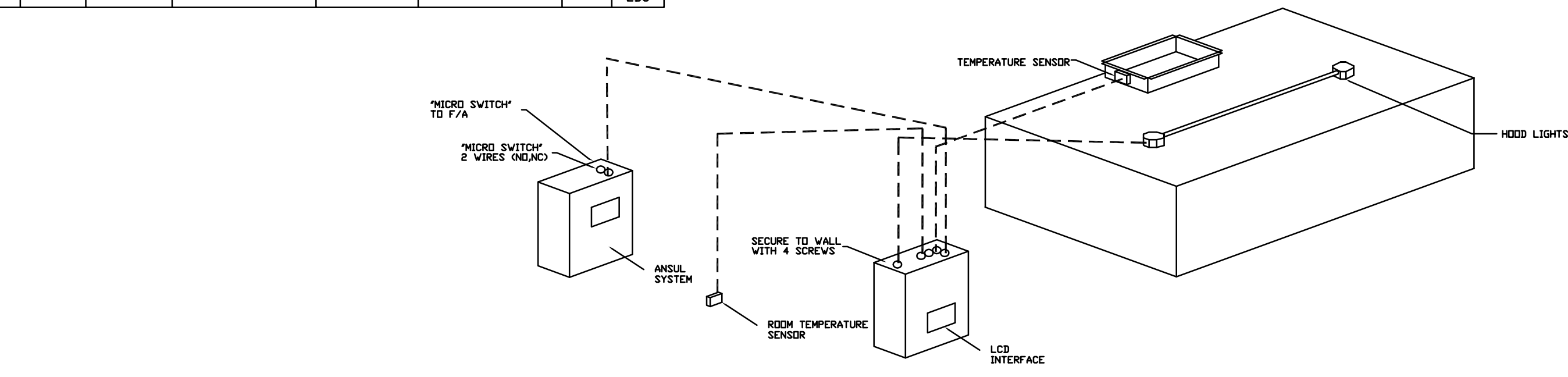
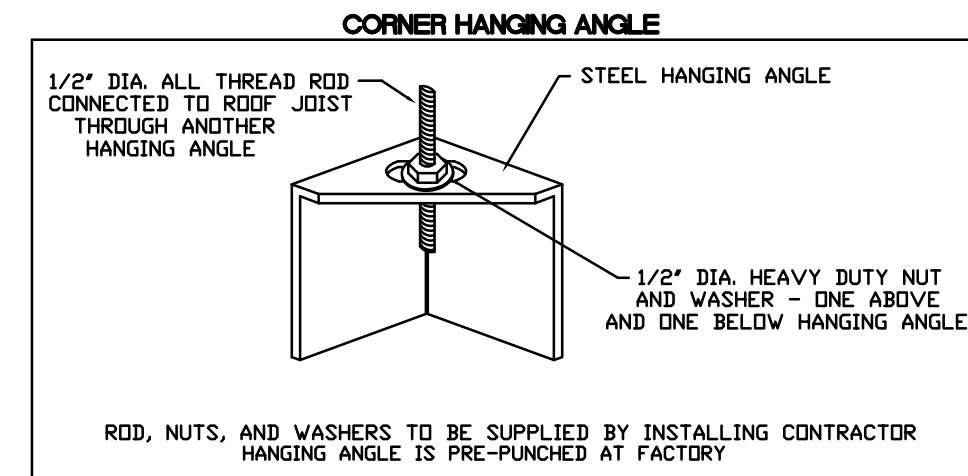
DETAIL OF REMOTE S/S CONTROL BOX



GENERAL NOTE

DRAWINGS/DETAILS ARE TO BE CONSIDERED DIAGRAMMATIC, NOT NECESSARILY SHOWING IN DETAIL OR TO SCALE ALL MINOR ITEMS. UNLESS SPECIFIC DIMENSIONS ARE SHOWN, THE STRUCTURAL, ARCHITECTURAL AND SITE CONDITIONS SHALL GOVERN EXACT LOCATIONS. CONTRACTOR SHALL FOLLOW DRAWINGS IN LAYING OUT WORK, AND CHECK/COORDINATE DRAWINGS OF ALL TRADES.

1" LAYER OF INSULATION FACTORY INSTALLED IN 3.00" END STANDOFF MEETS 9" REQUIREMENTS CLEARANCE TO COMBUSTIBLE SURFACES.



CAPTIVE-AIRE HOODS ARE BUILT IN COMPLIANCE WITH UL 710 AND NFPA 96 AND ARE RECOGNIZED BY ONE OR MORE OF THE FOLLOWING:

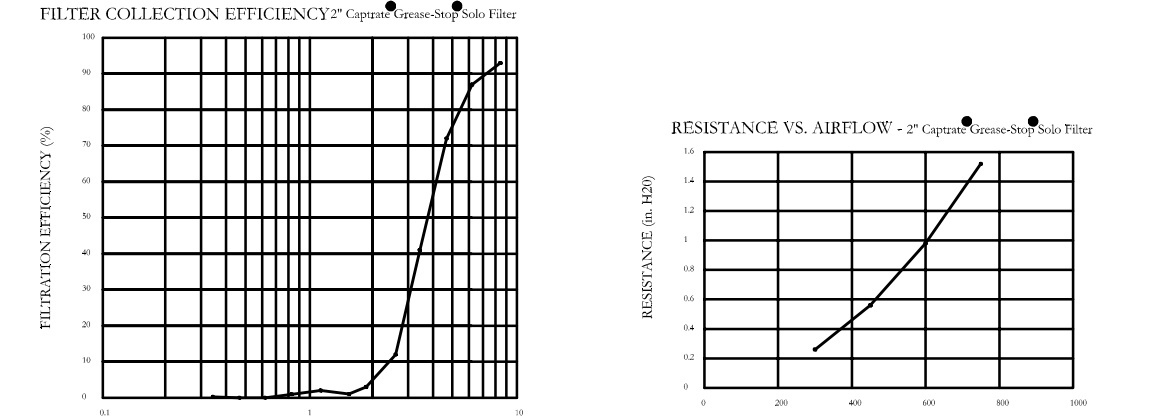
ETL SANITATION LISTED
ETL LISTED FILE# 3054804-001

SPECIFICATION: CAPTRATE® GREASE-STOP® SOLID FILTER

THE CAPTRATE GREASE-STOP SOLID FILTER IS A SINGLE-STAGE FILTER FEATURING A UNIQUE S-BAFFLE DESIGN IN CONJUNCTION WITH A SLOTTED REAR BAFFLE DESIGN, TO DELIVER EXCEPTIONAL FILTRATION EFFICIENCY.

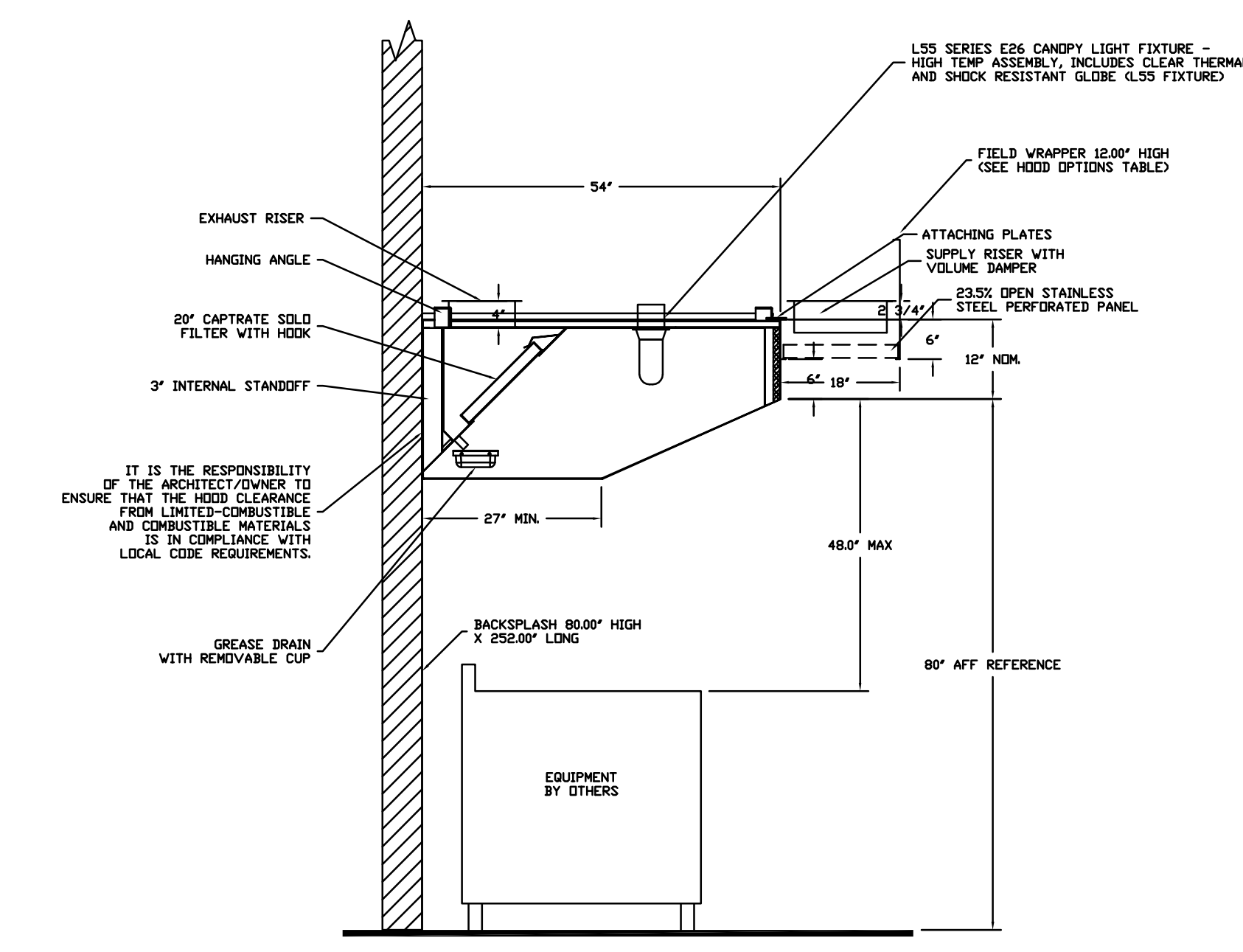
THE CAPTRATE GREASE-STOP SOLID FILTER IS A SINGLE-STAGE FILTER FEATURING A UNIQUE S-BAFFLE DESIGN IN CONJUNCTION WITH A SLOTTED REAR BAFFLE DESIGN, TO DELIVER EXCEPTIONAL FILTRATION EFFICIENCY.

THE CAPTRATE GREASE-STOP SOLID FILTER IS A SINGLE-STAGE FILTER FEATURING A UNIQUE S-BAFFLE DESIGN IN CONJUNCTION WITH A SLOTTED REAR BAFFLE DESIGN, TO DELIVER EXCEPTIONAL FILTRATION EFFICIENCY.



CAPTIVE-AIRE HOODS ARE BUILT IN COMPLIANCE WITH:

NFPA #96
NSF STANDARD #2
UL STANDARD #194G
INT. MECH. CODE (IMC)



TYPE I COMMERCIAL KITCHEN GREASE HOOD DETAIL

NTS

SHEET 1 OF 7

FOR QUESTIONS: PLEASE CONTACT THE CAPTIVE AIRE SOUTH FLORIDA OFFICE 6601 LYONS RD. F-4, COCONUT CREEK, FL. 33073 PHONE: (954) 578-8595, (800) 477-0454 REG63CAPTIVEAIRE.COM

BUCHANAN P.E CONSULTING INC.
ELECTRICAL * MECHANICAL * PLUMBING ENGINEERING
6191 V. ATLANTIC BLVD, SUITE # 2 MARGATE, FL 33063
Ph: 954-590-3300 Fax: 954-590-2232
Email: BUCHANANPEENGINEERS.COM
CERTIFICATE OF AUTHORIZATION # 8842

RAJA BUCHANAN P.E # 48916 MAURICE LORD P.E # 72550

CAPTIVE AIRE

JOB: NHAC BROWARD KITCHEN
LOCATION: 1700 BLOUNT RD, POMPANO BCH, FL
DATE: 9/2/2016 JOB #: 2422586
DWG #: NHAC DRAWN BY: TMH
REV. SCALE: NTS

REVISIONS

NO.	DATE	BY
03/29/16	08/26/16	

DESCRIPTION: BUILDING DEPT. COMMENTS: KITCHEN REDESIGN

PROJECT: KITCHEN RENOVATION TO NORTH HOMELESS ASSISTANCE CENTER BROWARD COUNTY 1700 BLOUNT ROAD, POMPANO BEACH, FL

FILE NO.: 15.012 DATE: 07/29/15 DRAWN BY: SBUP/DJRT CHECKED BY: GJS

SHEET TITLE: KITCHEN HOOD PAN SHEET NUMBER: M-103