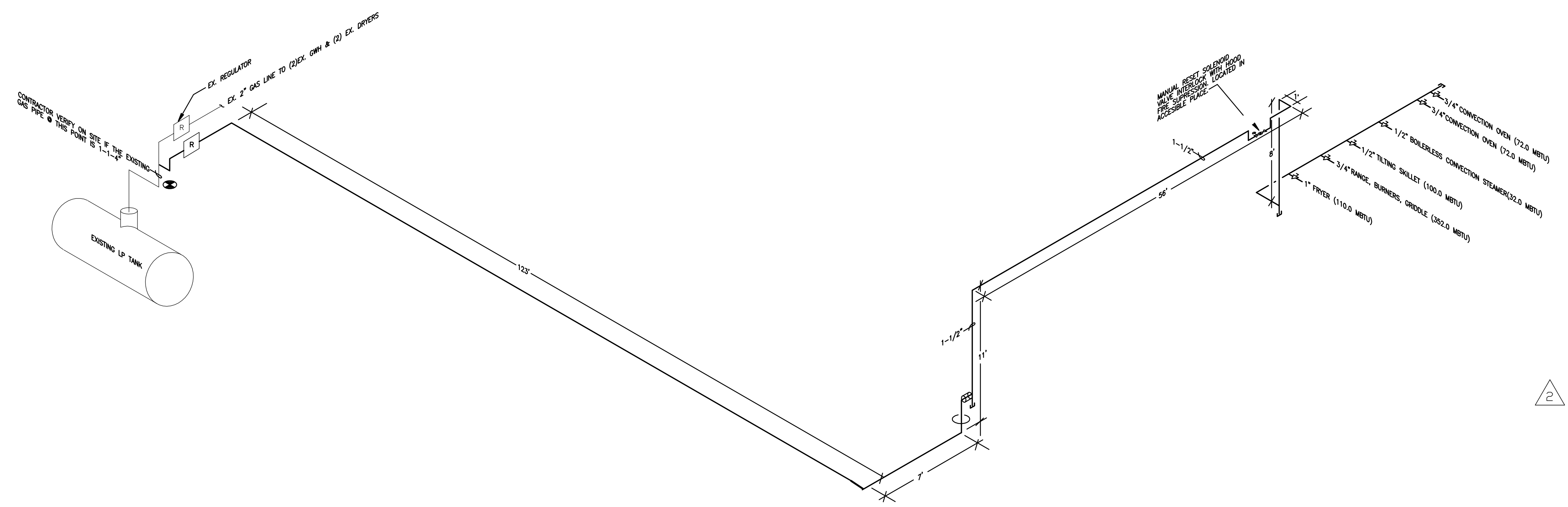


**1 GREASY - SANITARY ISOMETRIC**  
P-3 N.T.S.

**2 DOMESTIC WATER ISOMETRIC**  
P-3 N.T.S.



**3 LP GAS ISOMETRIC**  
P-3 N.T.S.

**GAS INFORMATION:**  
TOTAL GAS DEMAND: 738 MBTU  
GAS TYPE: PROPANE  
MATERIAL: SCHEDULE 40 METALLIC PIPE  
FLORIDA BUILDING CODE 2014  
TABLE 402.4(2B) - SECOND STAGE  
TOTAL DEVELOPED LENGTH = 206'-0"  
SIZE PIPE REQUIRED: 1 1/2"

<p>PROJECT: KITCHEN RENOVATION TO NORTH HOMELESS ASSISTANCE CENTER BROWARD COUNTY 1700 BLOUNT ROAD, POMPANO BEACH, FL</p>	
<p>FILE NO.: 15.012 DATE: 07/29/15 DRAWN BY: SBJ/JDS/RT CHECKED BY: GSJ</p>	<p>NO. 1 DESCRIPTION: BUILDING DEPT. COMMENTS DATE: 03/29/16 BY: [Signature]</p> <p>NO. 2 DESCRIPTION: KITCHEN REDESIGN DATE: 08/28/16 BY: [Signature]</p> <p>NO. 3 DESCRIPTION: CHD COMMENTS DATE: 12/02/16 BY: [Signature]</p>
<p>SHEET TITLE: PLUMBING ISOMETRICS SHEET NUMBER: P-103</p>	
<p>STAMP: [North Arrow]</p>	
<p>© 2015 by Harsani and Chown P.E., Inc. All rights reserved. This drawing is the property of Harsani and Chown P.E., Inc. and shall not be reproduced, stored in a retrieval system, or transmitted in any form or by any means, electronic, mechanical, photocopying, recording, or by any information storage and retrieval system, without the prior written permission of Harsani and Chown P.E., Inc. The user of this drawing shall be deemed to have accepted the terms and conditions of use set forth herein.</p>	