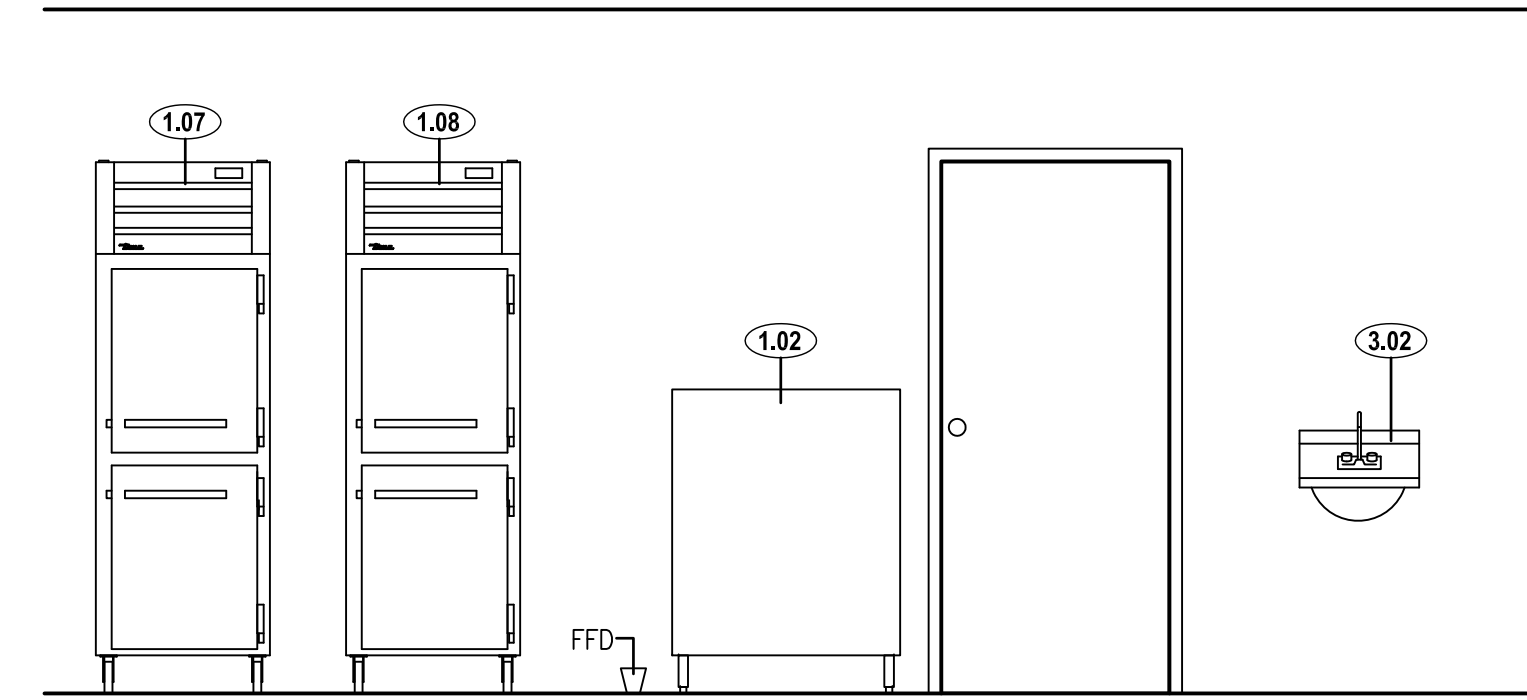
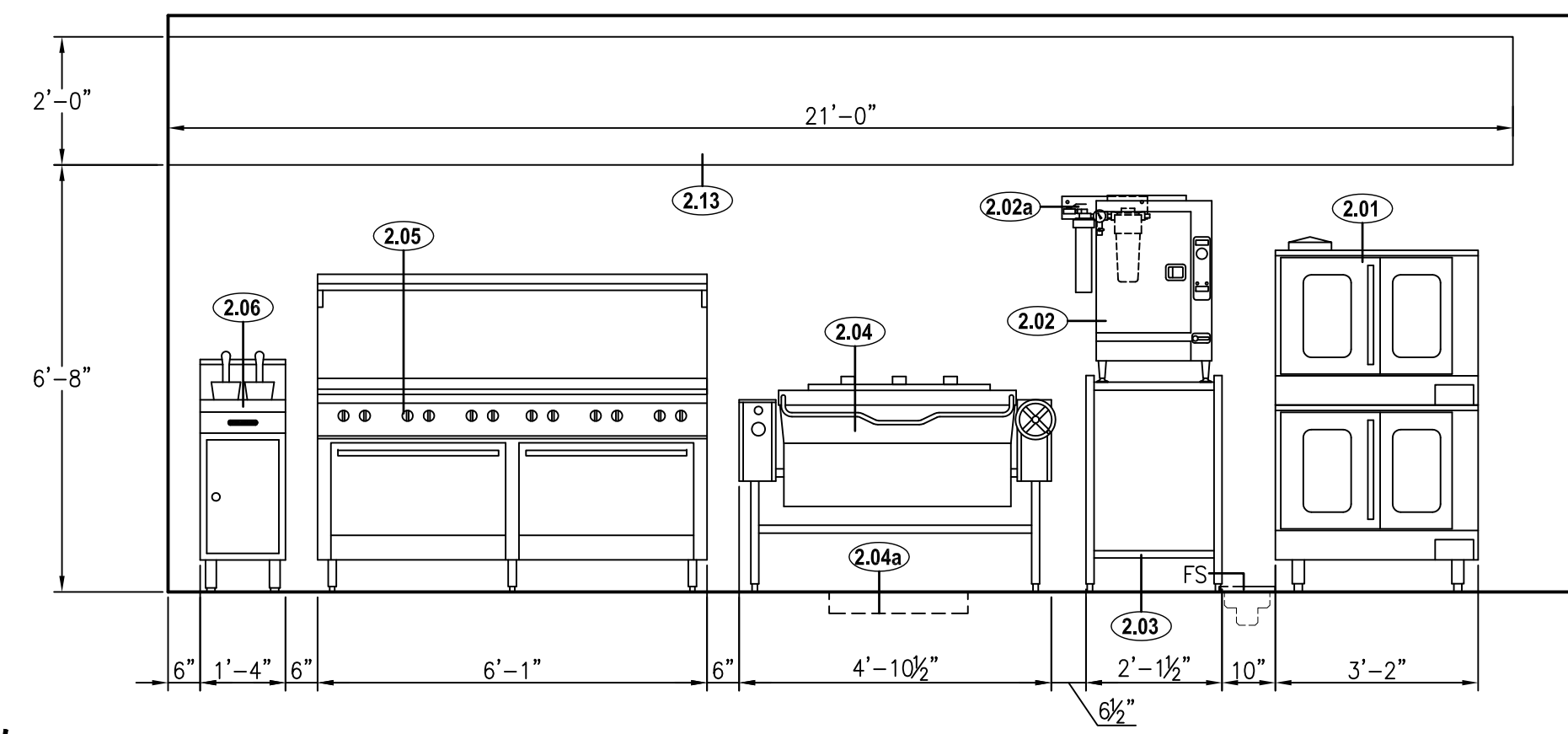


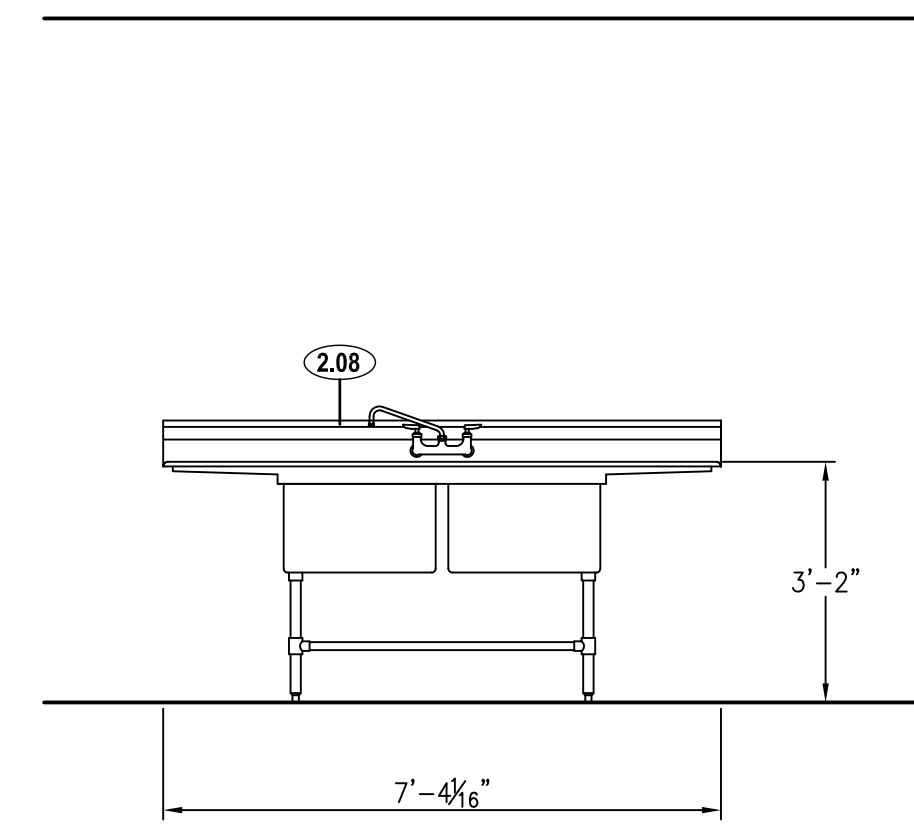
ELEVATION A



ELEVATION B



ELEVATION C



ELEVATION D

OCT 10, 2016 3:34 PM USER19
 Z:\A-YR-2015\15012 NORTH HOMELESS ASSISTANCE CENTER KITCHEN RENOV\SAI INCOMING\CINI-LITTLE\2016.08.15 FINAL BROWARD_OF106.DWG

Cini-Little
 CINI-LITTLE INTERNATIONAL, INC.
 3405 N.W. 9th AVENUE, SUITE 1202
 FT. LAUDERDALE, FL 33309-5943 USA
 954-846-9600 OFFICE
 954-564-1065 FAX
 www.cini-little.com

OFFICE LOCATIONS
 CHICAGO TORONTO
 CLEVELAND WASHINGTON
 FT. LAUDERDALE LONDON
 LOS ANGELES STONEY
 NEW YORK TOKYO
 SAN FRANCISCO

PROJECT NAME
NORTH HOMELESS ASSISTANCE CENTER
 FT. LAUDERDALE, FL

SHEET TITLE
FOODSERVICE EQUIPMENT ELEVATIONS

| | |
|-------------------|--------------|
| PROJECT MGR./DRN: | SW/CAD |
| SCALE: | 1/2" = 1'-0" |
| PROJECT NO.: | 16-0046-0 |
| ISSUE DATE: | / / |

| | |
|-----------------|--------------|
| REFERENCE NORTH | SHEET NUMBER |
| | QF106 |