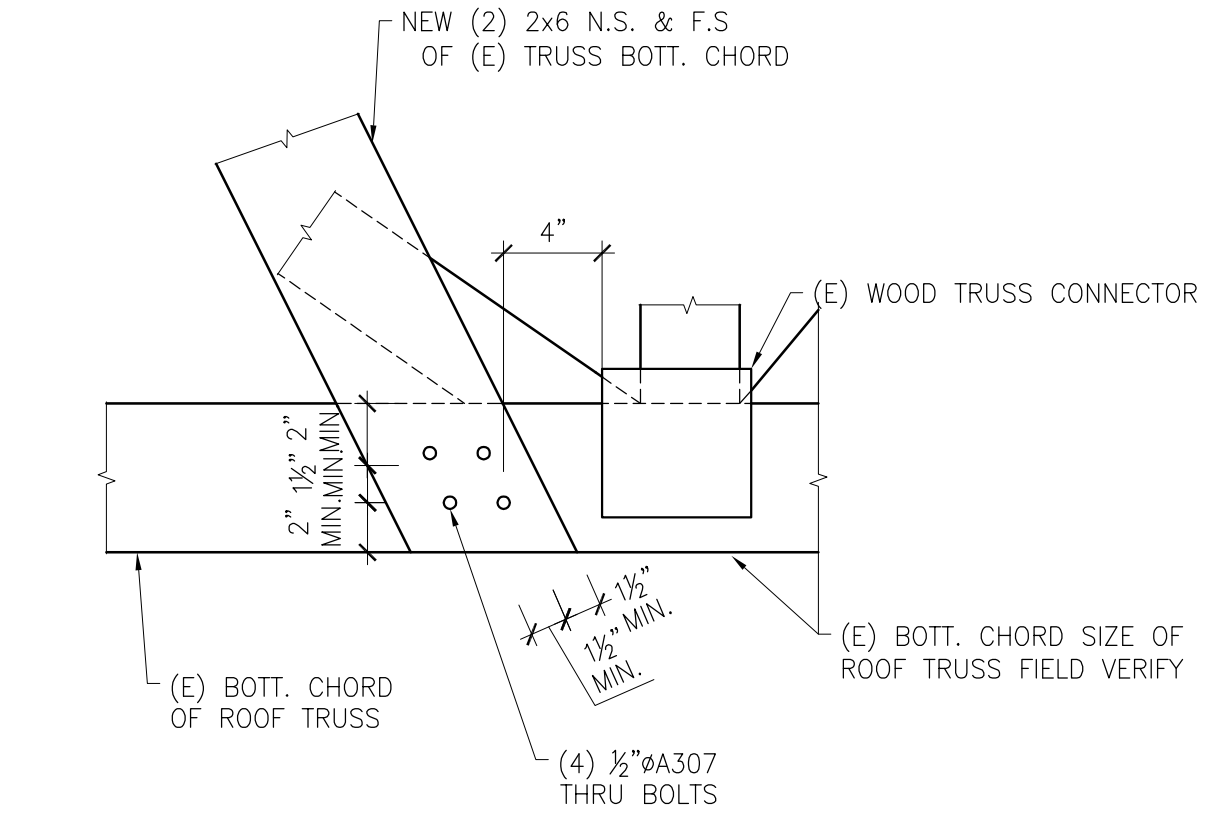
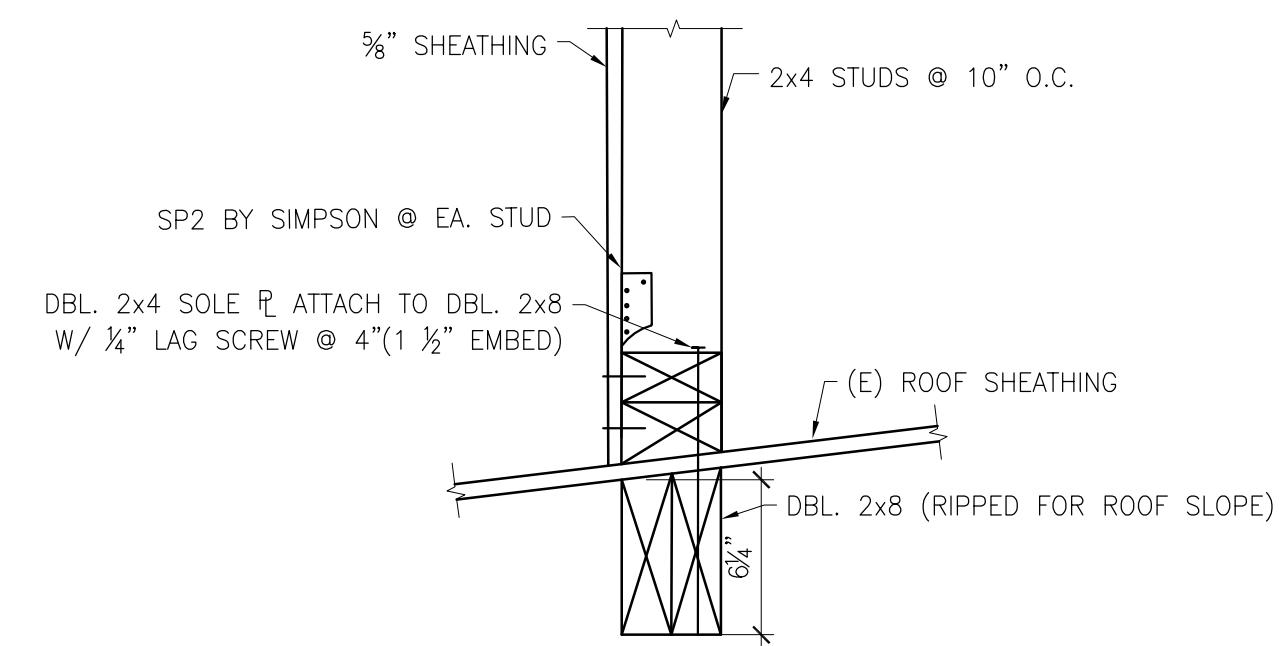


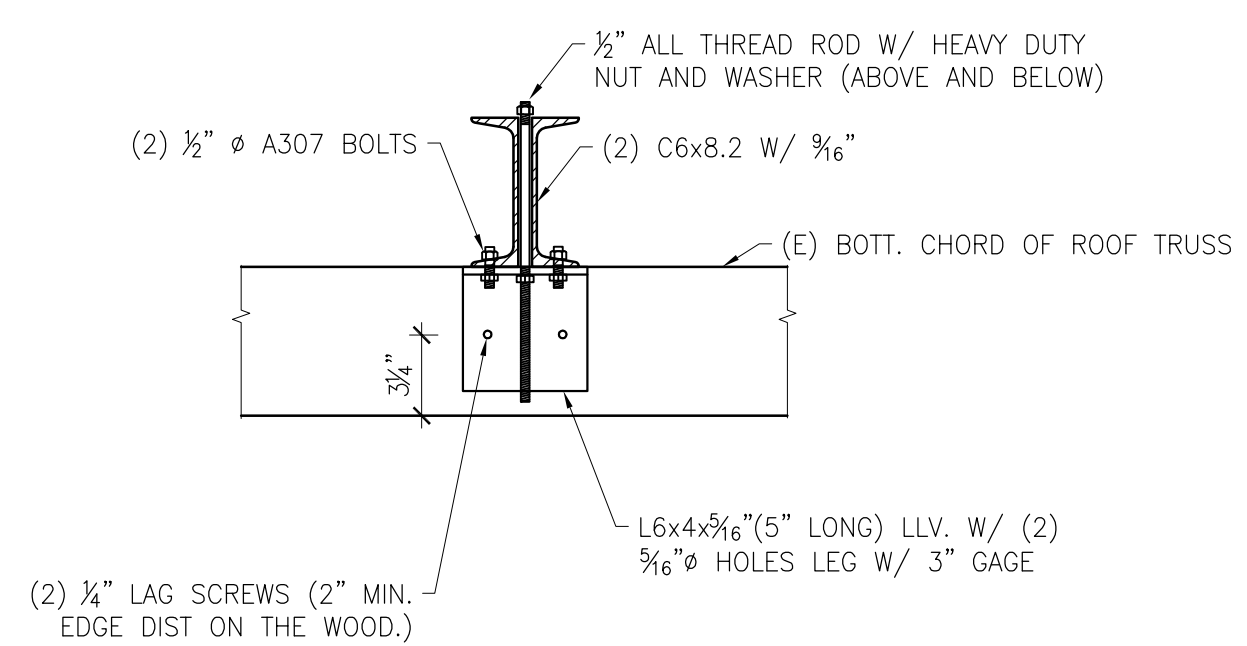
**6** DETAIL 2  
SCALE: 1 1/2"=1'-0" Note



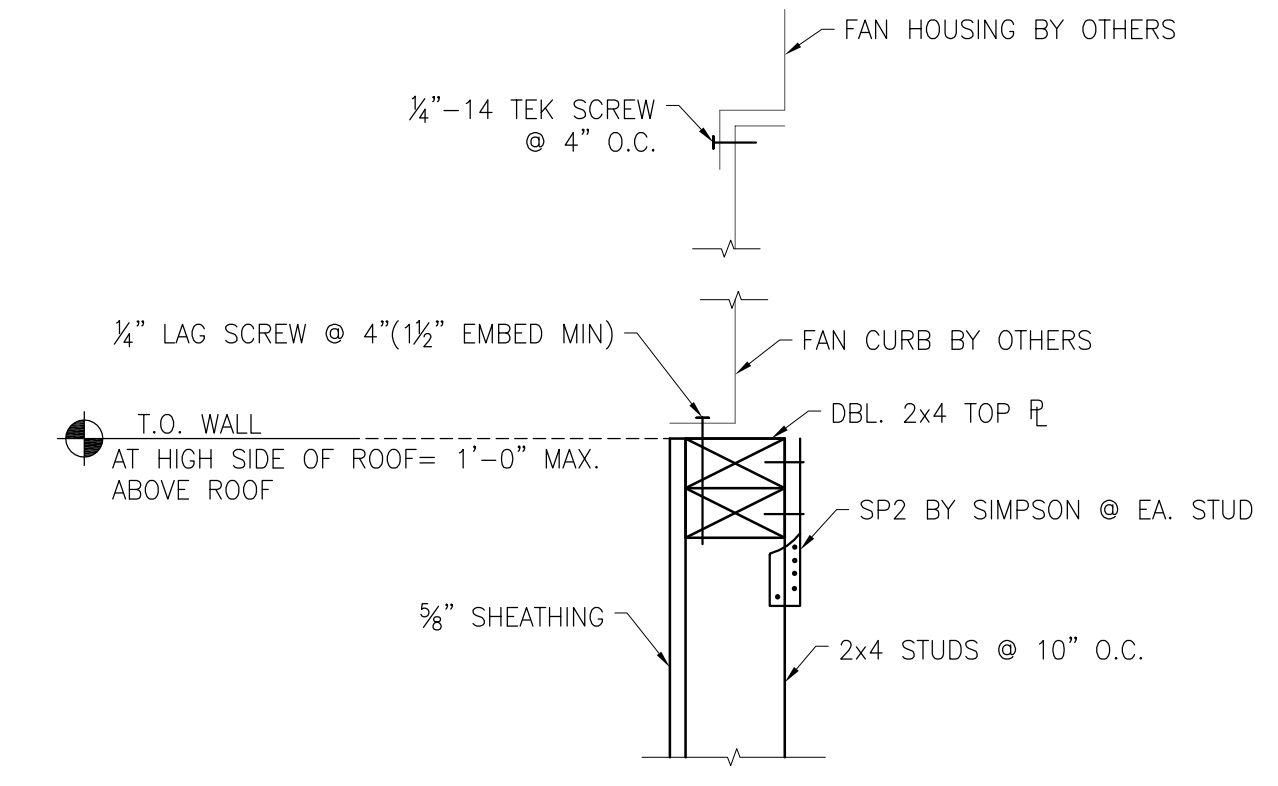
**4** DETAIL 1  
SCALE: 1 1/2"=1'-0" Note



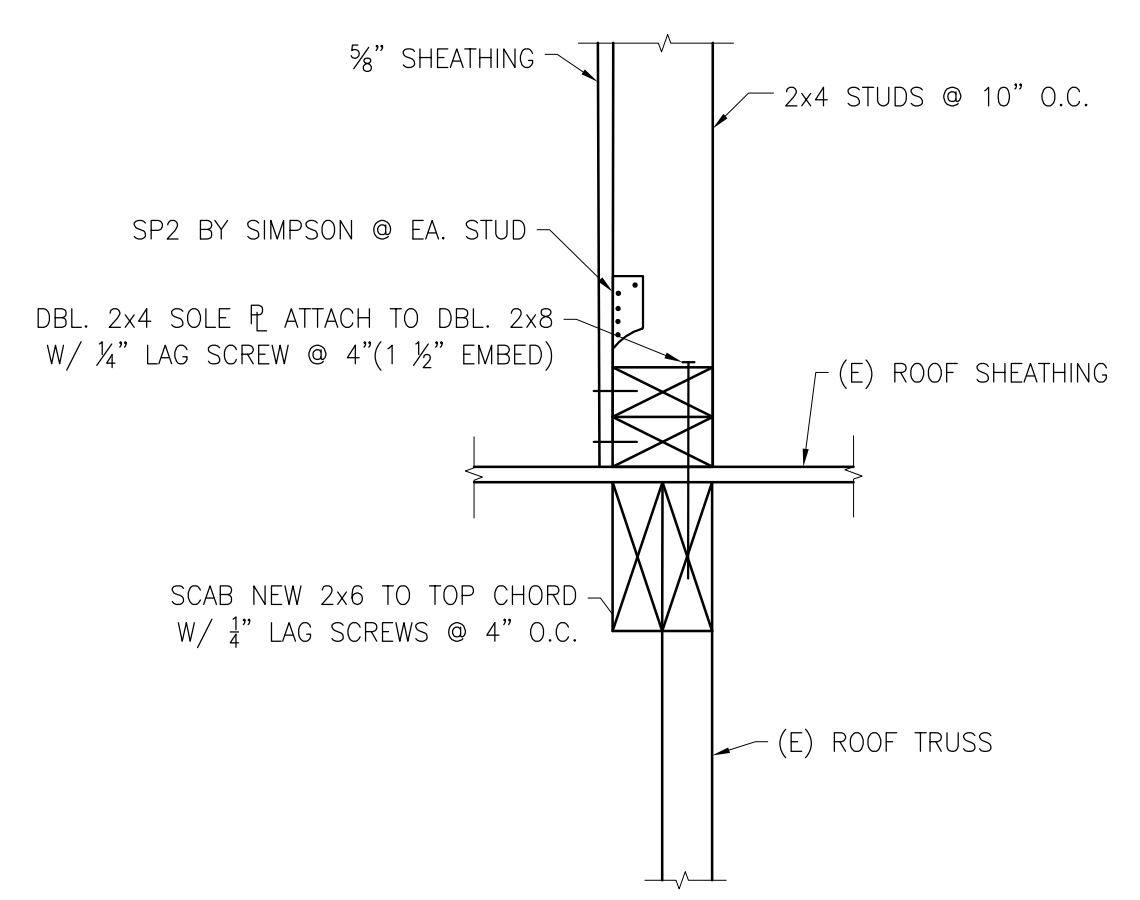
**1** SECTION 1  
SCALE: 1 1/2"=1'-0" Note



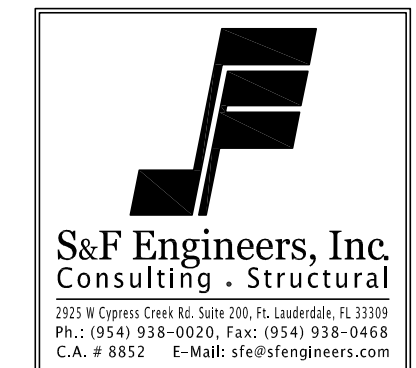
**5** SECTION 4  
SCALE: 1 1/2"=1'-0" Note



**2** SECTION 2  
SCALE: 1 1/2"=1'-0" Note



**3** SECTION 3  
SCALE: 1 1/2"=1'-0" Note



<p>THIS DOCUMENT, THE DESIGN, AND THE CONSTRUCTION THEREOF, IS THE PROPERTY OF S&amp;F ENGINEERS, INC. AND DAWSON LLC. IT IS TO BE USED ONLY FOR THE PROJECT AND SITE SPECIFICALLY IDENTIFIED HEREIN. WITHOUT THE WRITTEN PERMISSION OF S&amp;F ENGINEERS, INC. AND DAWSON LLC, ANY REPRODUCTION OR TRANSMISSION OF THIS DOCUMENT IS STRICTLY PROHIBITED. S&amp;F ENGINEERS, INC. AND DAWSON LLC SHALL BE RESPONSIBLE FOR THE ACCURACY OF THE INFORMATION CONTAINED HEREIN.</p> <p>9150 Middle River Drive, Suite 400        Ft. Lauderdale, FL 33308        Phone: (954) 338-0025        License: C00869 • www.s&amp;fengineers.com</p> <p><b>SINGER ARCHITECTS</b>        A RUSSELL AND DAWSON COMPANY</p>	<p>REVISIONS</p> <table border="1" style="width: 100%; border-collapse: collapse;"> <thead> <tr> <th>NO.</th> <th>DESCRIPTION</th> <th>DATE</th> <th>BY</th> </tr> </thead> <tbody> <tr> <td> </td> <td> </td> <td> </td> <td> </td> </tr> </tbody> </table>	NO.	DESCRIPTION	DATE	BY					<p>STAMP: NOT FOR CONSTRUCTION ISSUED FOR ADDENDUM NO. 1        DATE: 12/02/2016</p> <p>STAMP: SIVANANTHAN SRITHARAN, P.E., FLORIDA LICENSE #55133</p>
NO.	DESCRIPTION	DATE	BY							
<p>PROJECT: <b>NORTH HOMELESS ASSISTANCE CENTER KITCHEN RENOVATION</b>          1700 BLOUNT ROAD, POMPANO BEACH, FL 33069</p>										
<p>FILE NO.: 16128</p>	<p>DATE: 12-02-16</p>	<p>DRAWN BY: BL          CHECKED BY: SS/CS</p>								
<p>SHEET TITLE: TYPICAL DETAILS AND SECTIONS</p>										
<p>SHEET NUMBER: S-03</p>										