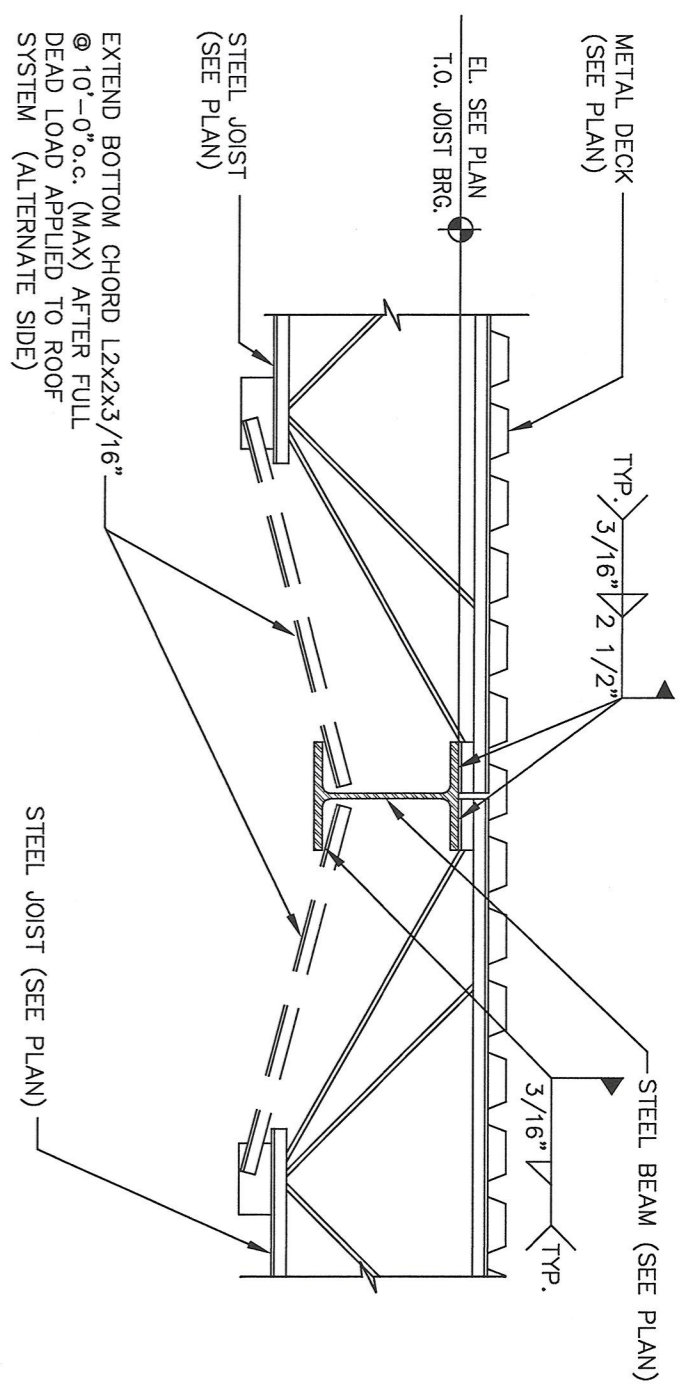


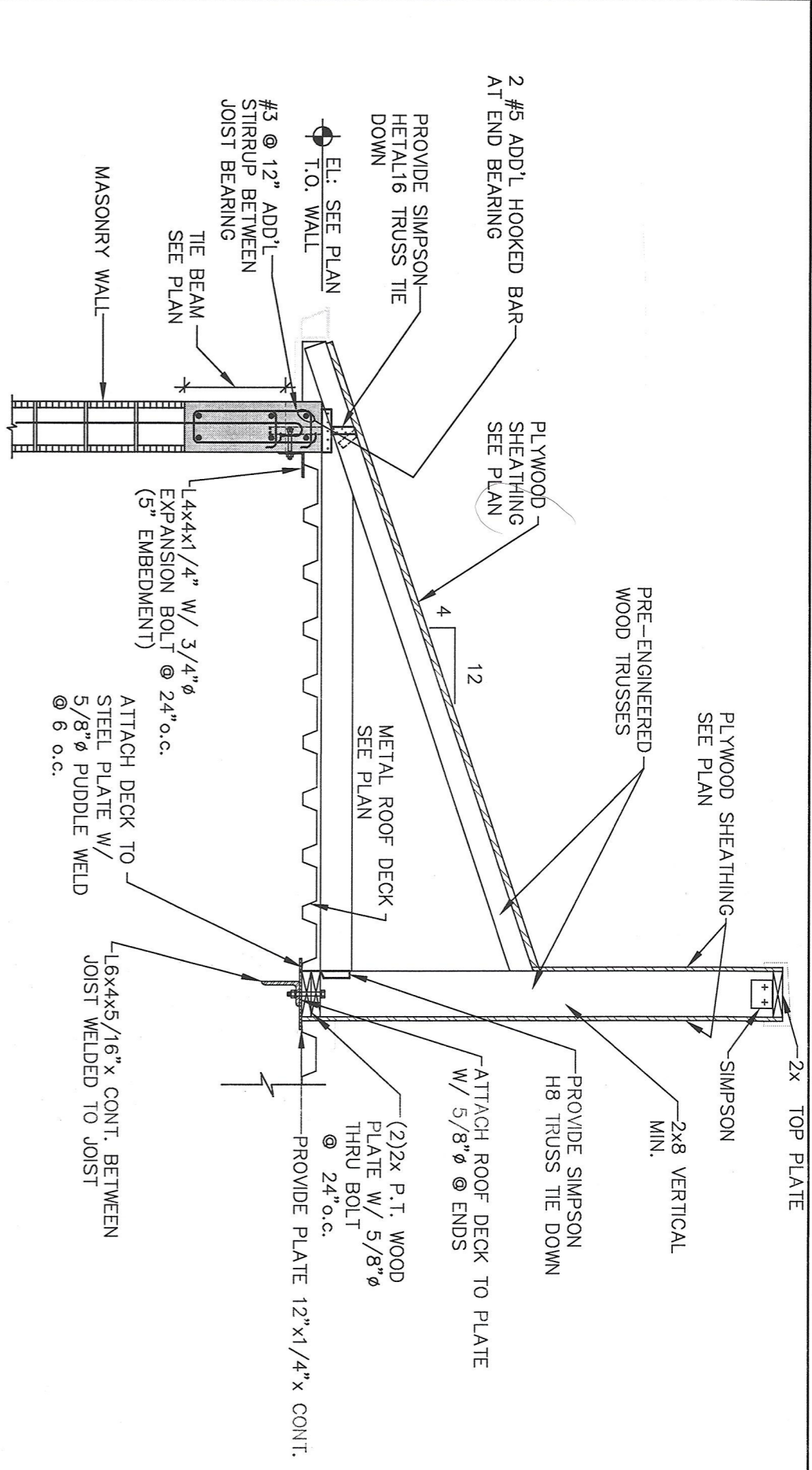
10 SECTION

1/2" - 1'-0"



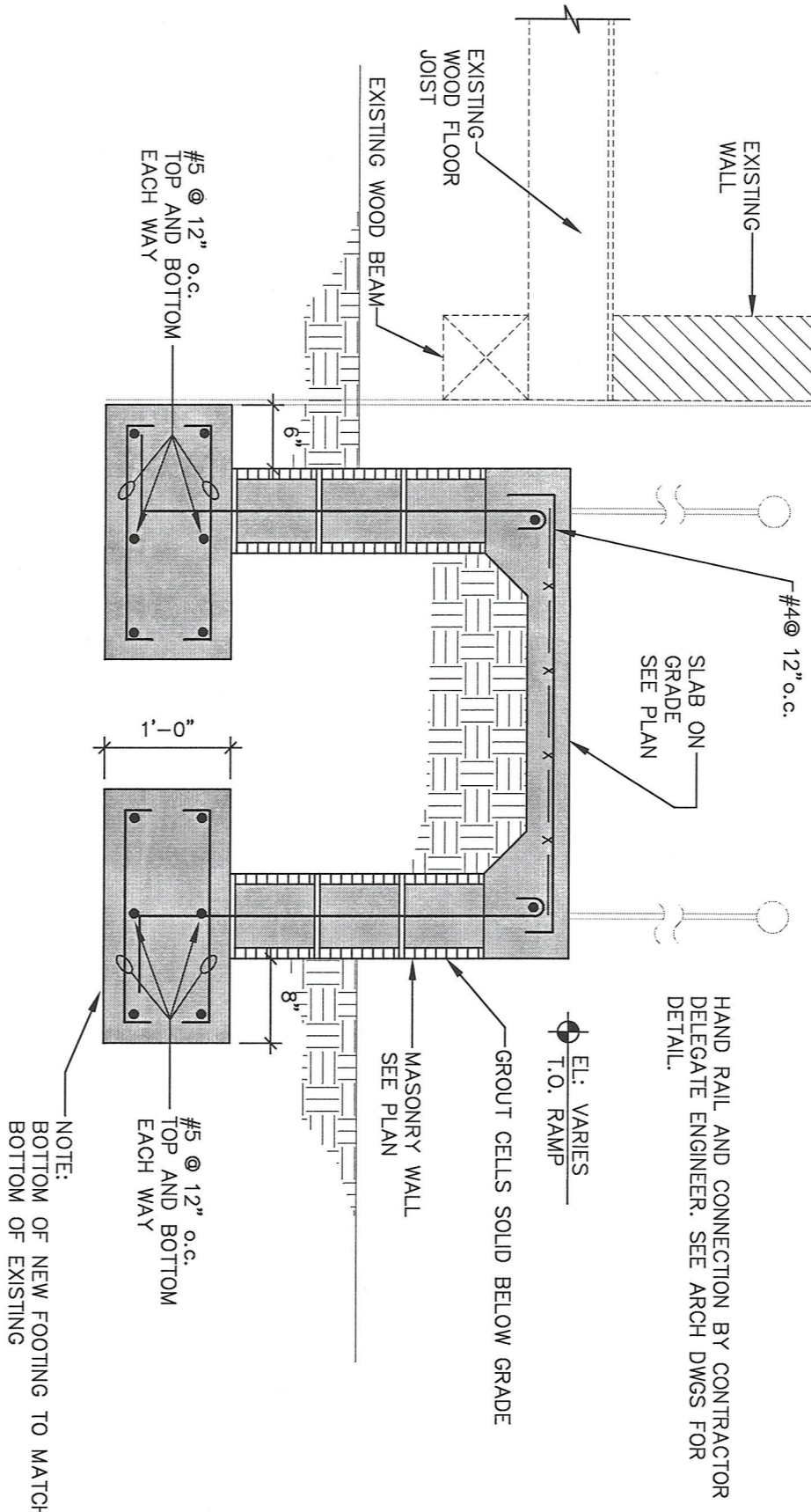
4 SECTION

3/4" - 1'-0"



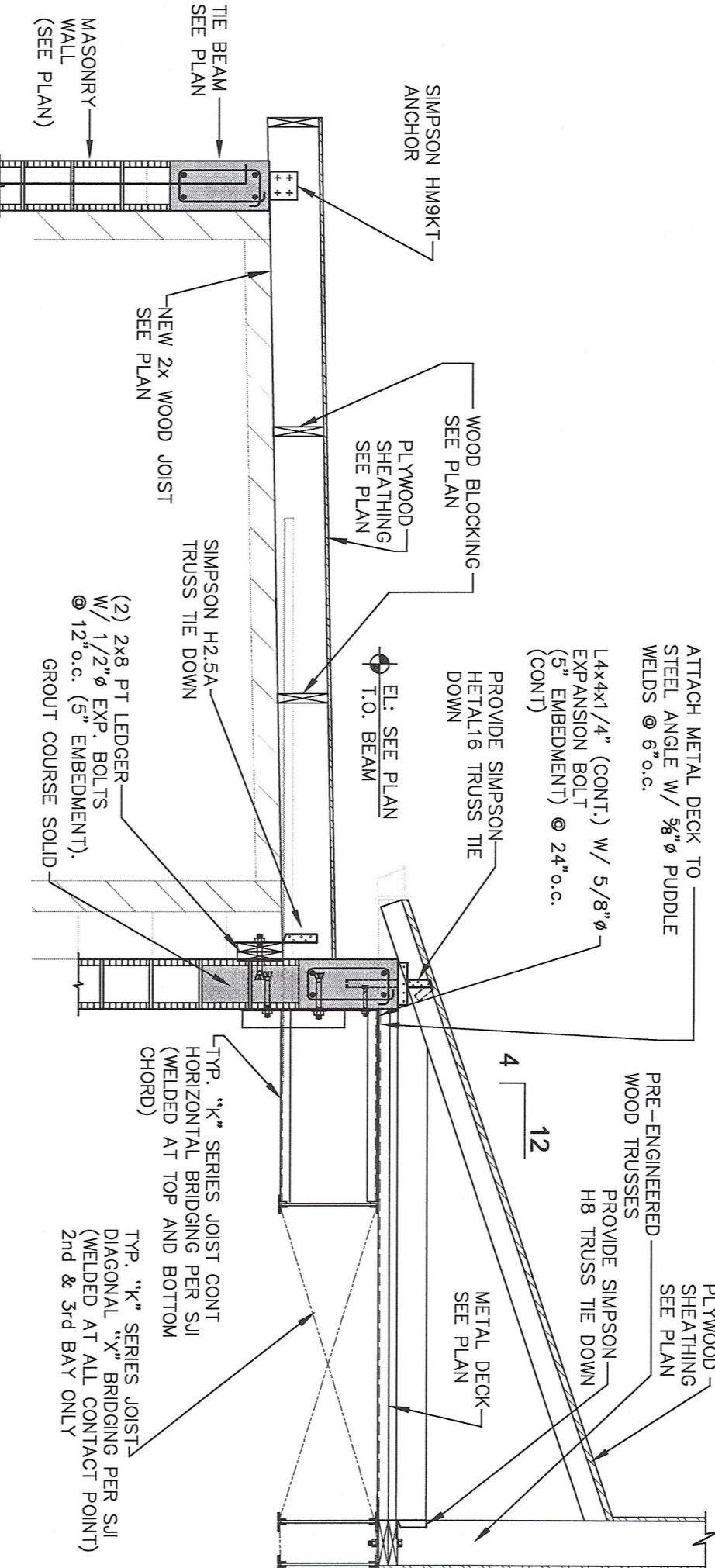
1 SECTION

1/2" - 1'-0"



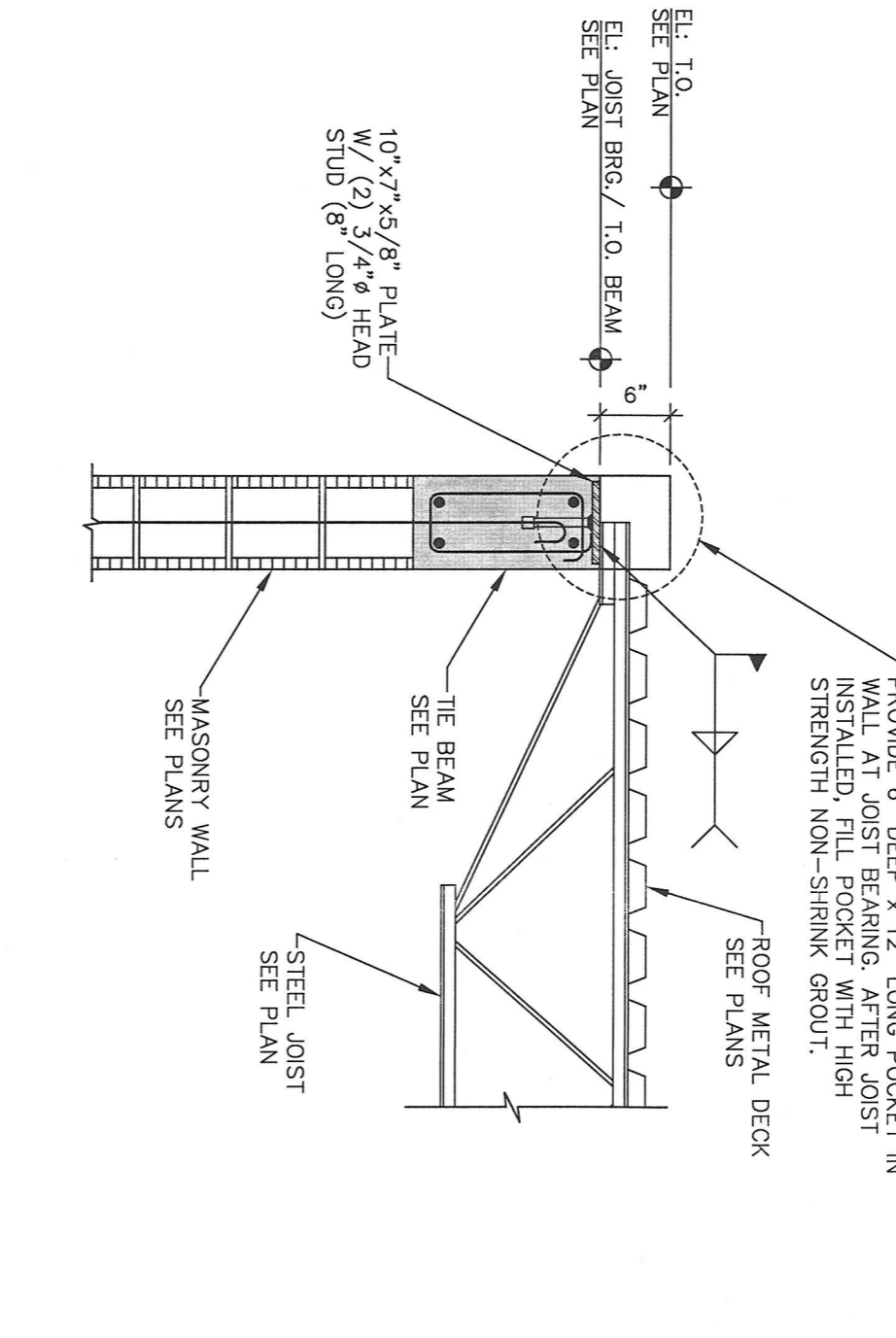
11 SECTION

3/4" - 1'-0"



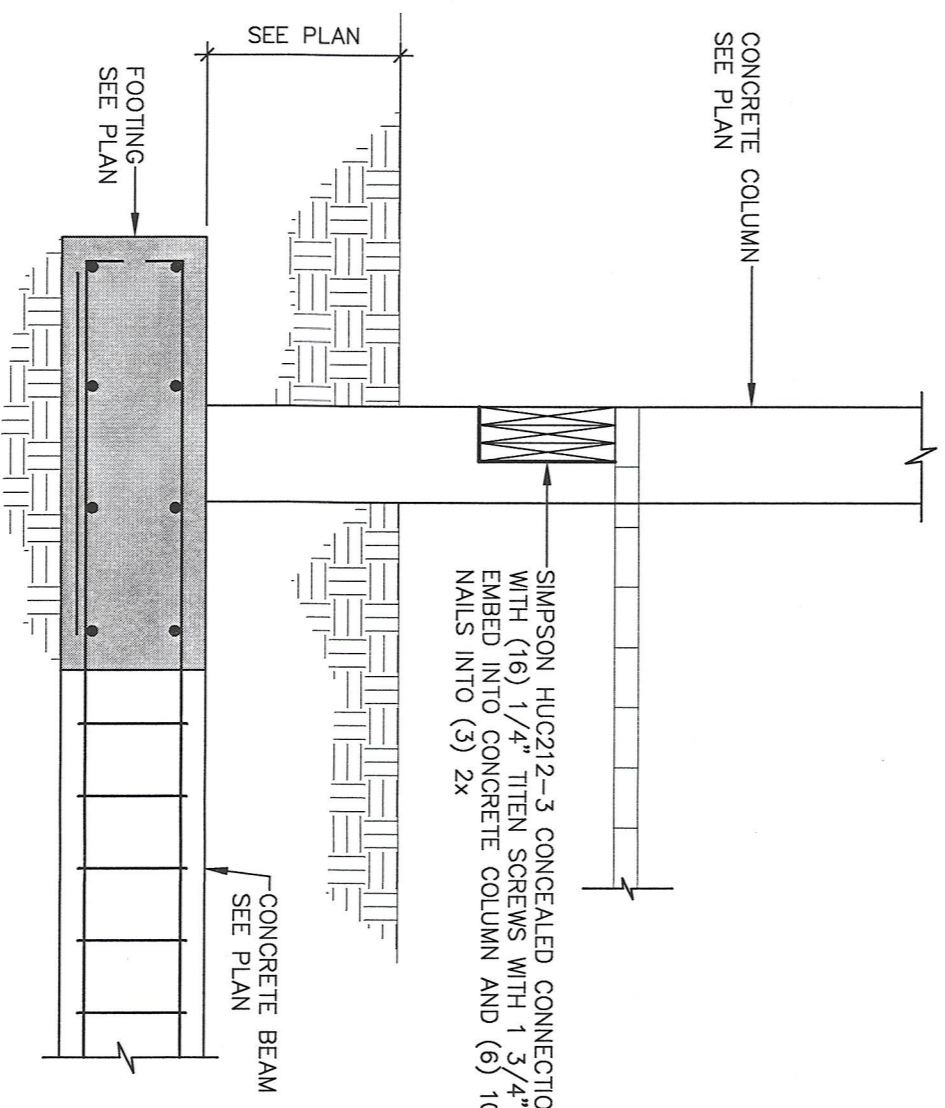
5 SECTION

1/2" - 1'-0"



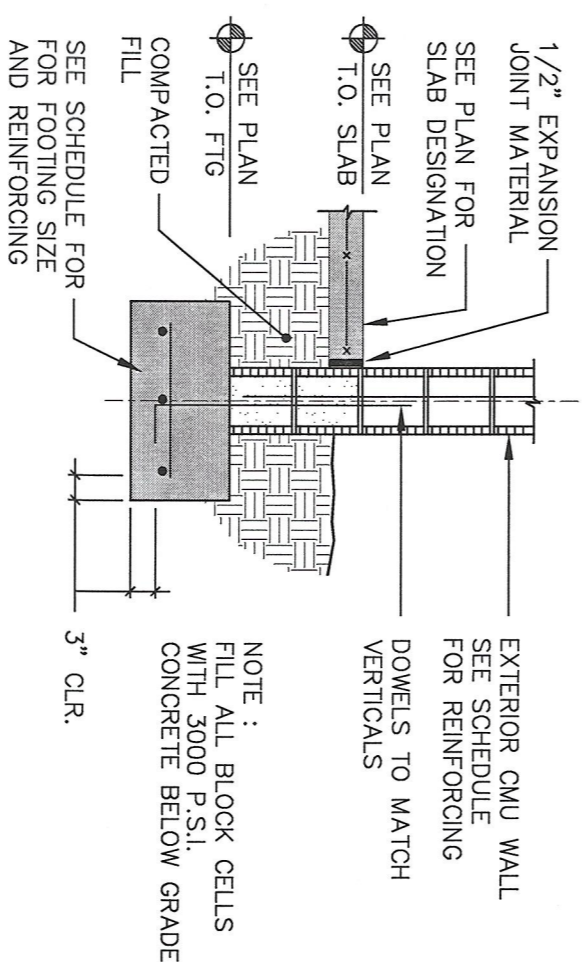
2 SECTION

3/4" - 1'-0"



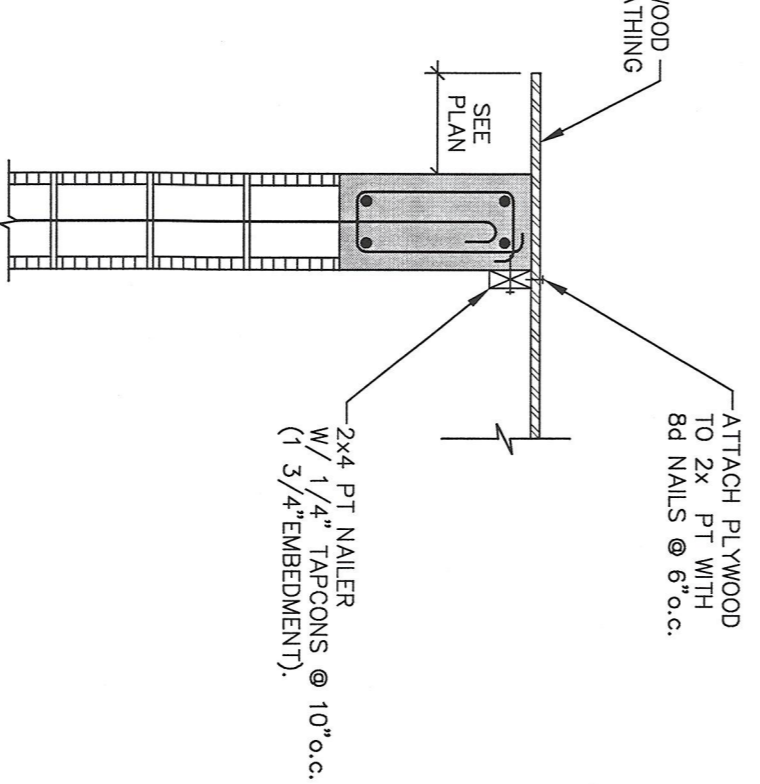
12 SECTION

3/4" - 1'-0"



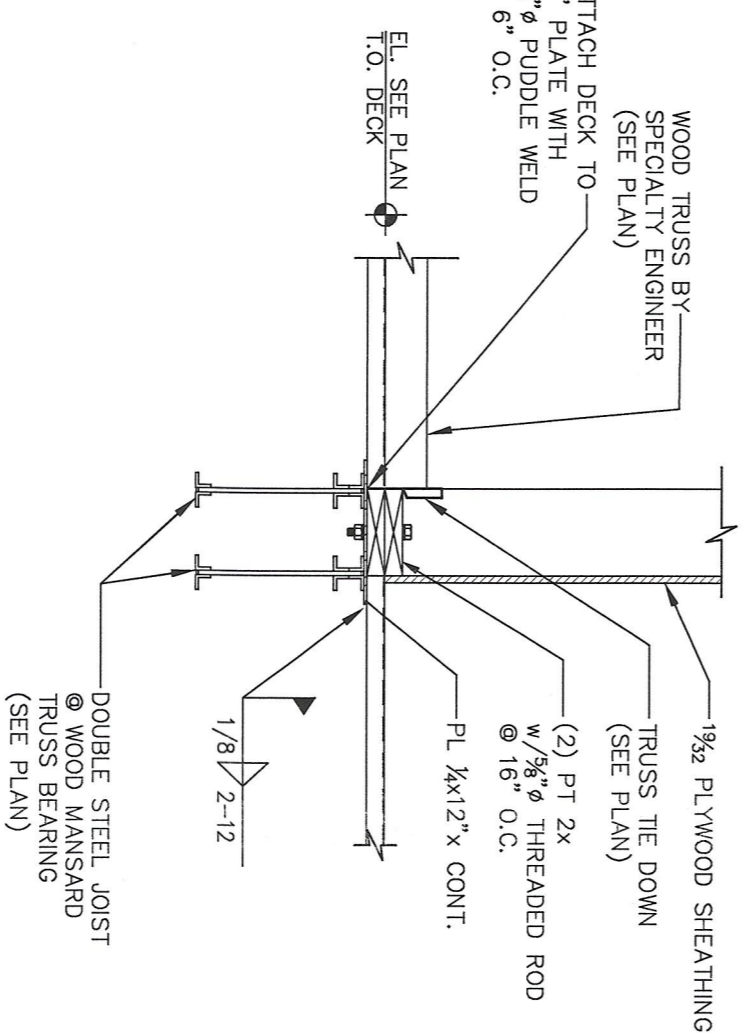
8 SECTION

N.T.S.



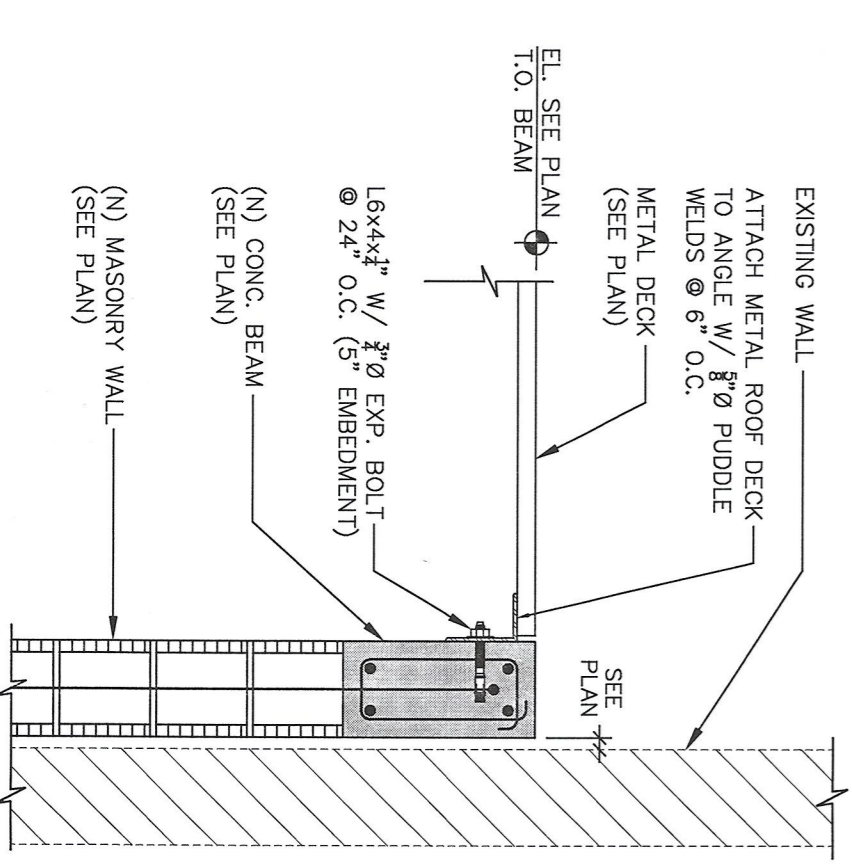
6 SECTION

3/4" - 1'-0"



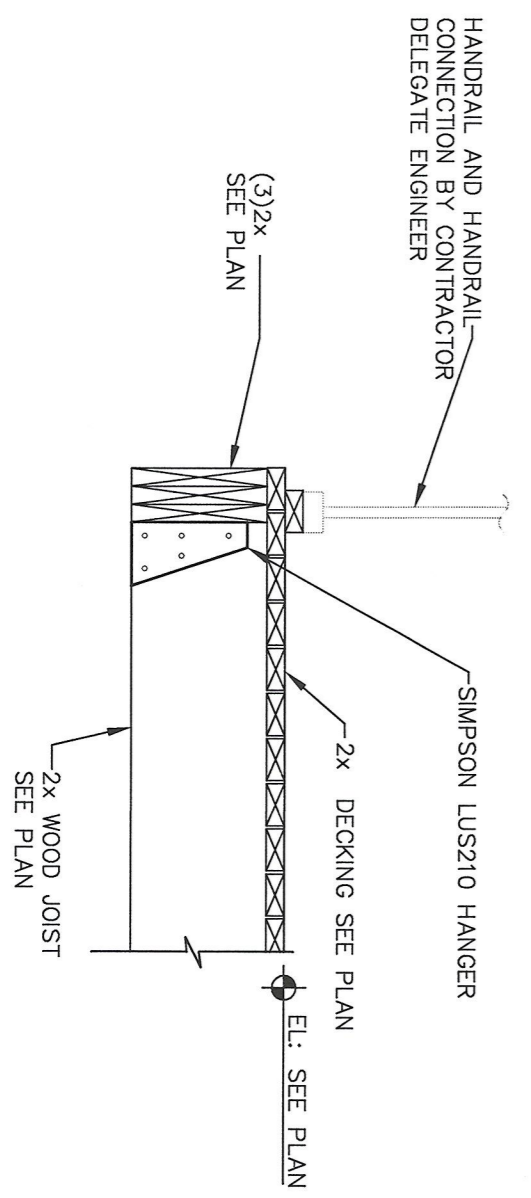
3 SECTION

3/4" - 1'-0"



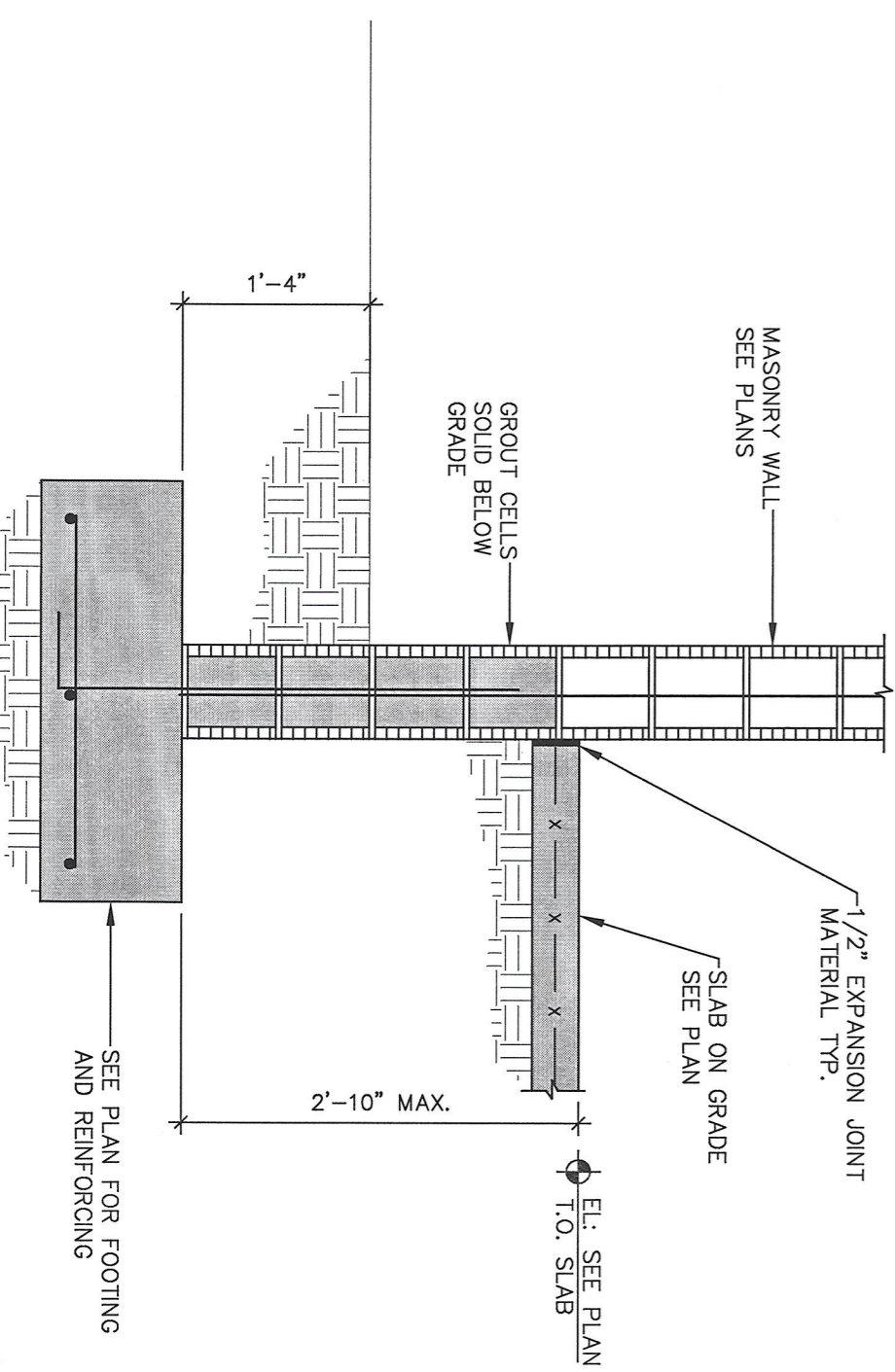
13 SECTION

3/4" - 1'-0"



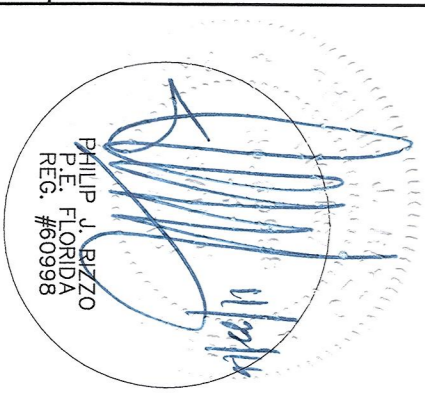
9 SECTION

3/4" - 1'-0"



7 SECTION

3/4" - 1'-0"



ONIMW&T
 Odonnell, Naccarato, Mignone
 STRUCTURAL ENGINEERS
 JACKSONVILLE, FLORIDA 32202
 321 751 STREET, SUITE 200
 WEST PALM BEACH, FLORIDA 33411
 (561) 833-5994 FAX (561) 833-8355
 LIC. #0004384
 JOB # 772.0192

PERMIT SET
 11/23/16

SECTIONS

S-5

AW architects
 RODOLOFO ACQUEVEDO AIA
 JAMES R. WILLIAMS AIA
 7700 CONGRESS AVE.
 BOCA RATON, FLORIDA 33487
 TEL 561.997.1544
 FAX 561.997.1524
 JAMES R. WILLIAMS - A00017841
 RODOLOFO ACQUEVEDO - A00016234

211 E OCEAN AVENUE
 BOYNTON BEACH, FL 33435

FLORIDA LICENSEURE:
 AA28002219

PROJECT NO: 15196
 DESIGNED BY: PAR
 DRAWN BY: CB
 CHECKED BY: DRJ
 SUBMITTALS: ###
 PERMIT SET: ####

REVISIONS: