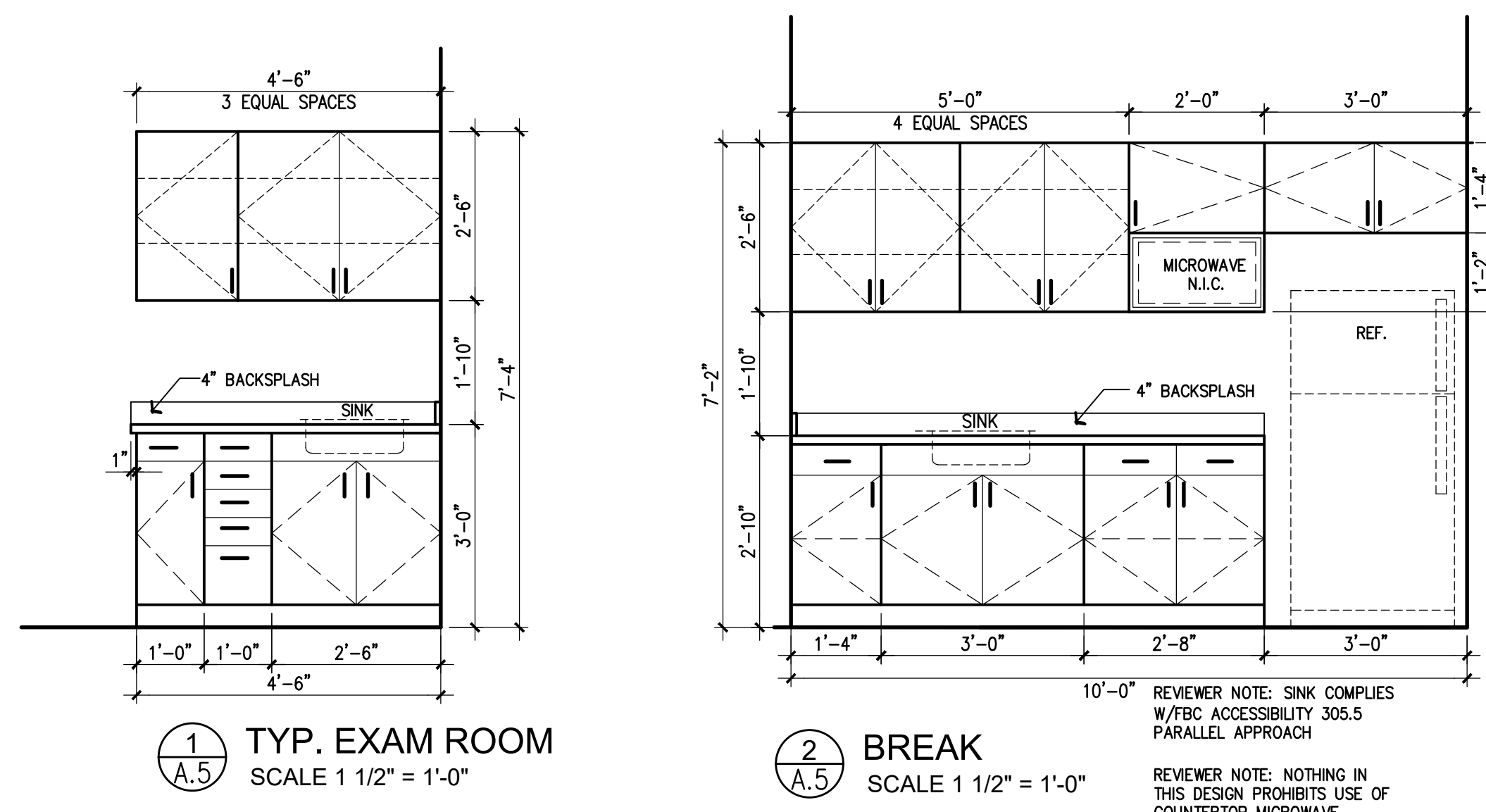


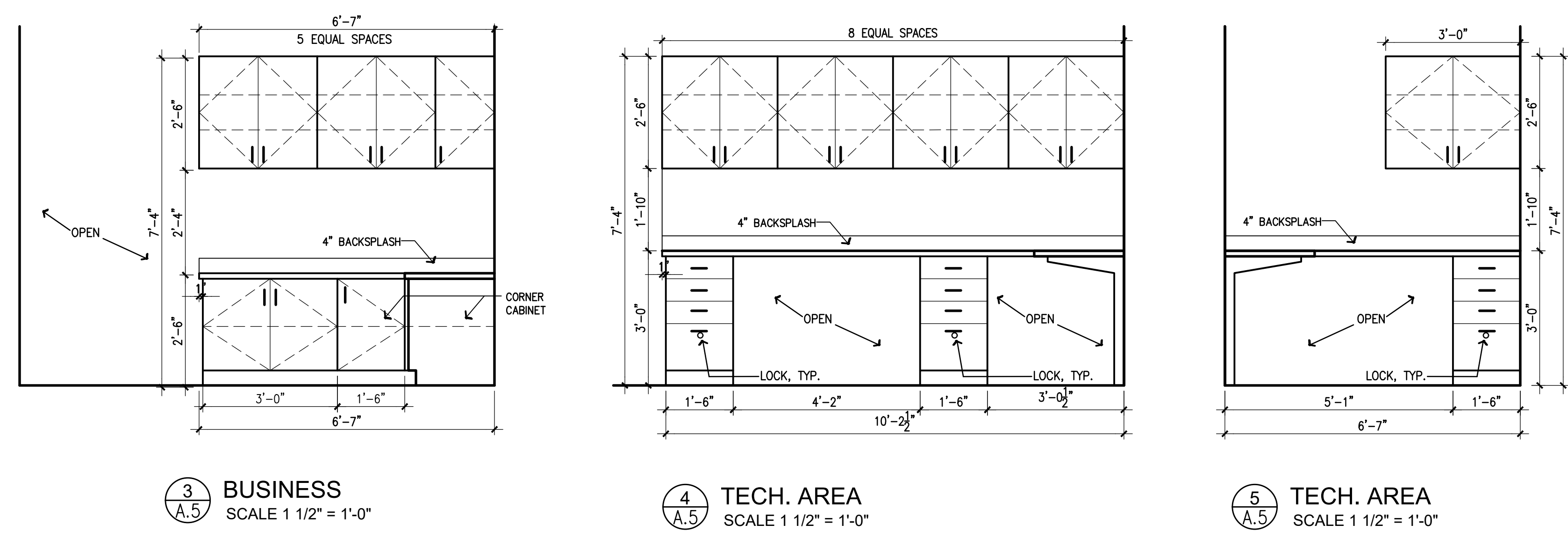
LCA AA 003432
 Architecture, Inc.
 1975 Sansbury's Way
 Suite 108
 West Palm Beach, FL 33411
 Phone: (561) 493-4787
 Fax: (561) 493-4786

REVISIONS / DATE

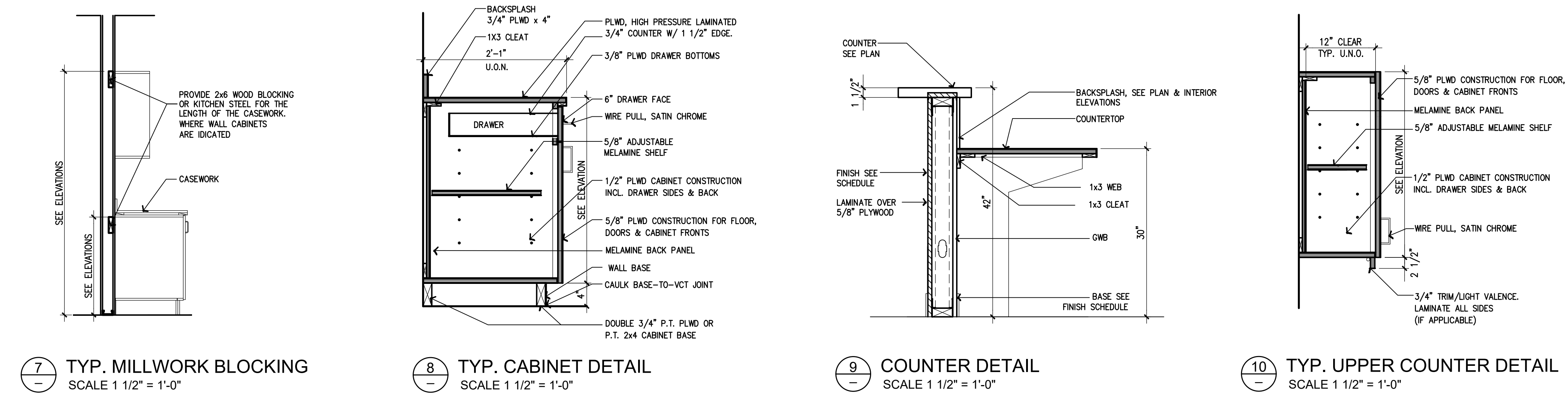


NOTE:
 PRIOR TO ORDERING CASEWORK CONTRACTOR SHALL VERIFY ALL OWNER SUPPLIED EQUIPMENT FOR SIZES AND PROPER FIT.

NOTES:
 1. ALL EXTERIOR SURFACES TO BE FINISHED W/ HIGH PRESSURE LAMINATE AT TOP OF COUNTERS SHALL BE 1/16" THICK. ALL INTERIOR CABINET SURFACES TO BE WHITE MELAMINE U.O.N.
 2. PRIOR TO ORDERING AND FABRICATION OF ALL CASEWORK, BUT AFTER ALL WALLS ARE CONSTRUCTED, CABINET CONTRACTOR SHALL VERIFY ALL CRITICAL CLEARANCES.
 3. ALL CABINET DIMENSIONS ARE NOMINAL. CABINET CONTRACTOR IS RESPONSIBLE FOR ACTUAL DIMENSIONS, TOLERANCES AND NECESSARY CLEARANCES.
 4. PROVIDE IN-WALL BLOCKING AS REQUIRED
 5. ALL EXPOSED COUNTERTOP CORNERS MUST HAVE 3" RADIUS AND 1 1/2" OVERHANG.
 6. FILE DRAWERS TO BE BUILT TO ACCOMMODATE PEDAFLEX FILES



**Interior Improvement for
 Your Eye Specialists**
 550 Heritage Dr. Suite 105
 Jupiter, FL 33458



LESLEW A. CZACZYK AIA	
AR 00015391	
PROJ. NO.	16176
DESIGNED BY	LAC
DRAWN BY	LAC
DATE	11/30/16
SCALE	AS SHOWN
CABINETRY ELEVATIONS	