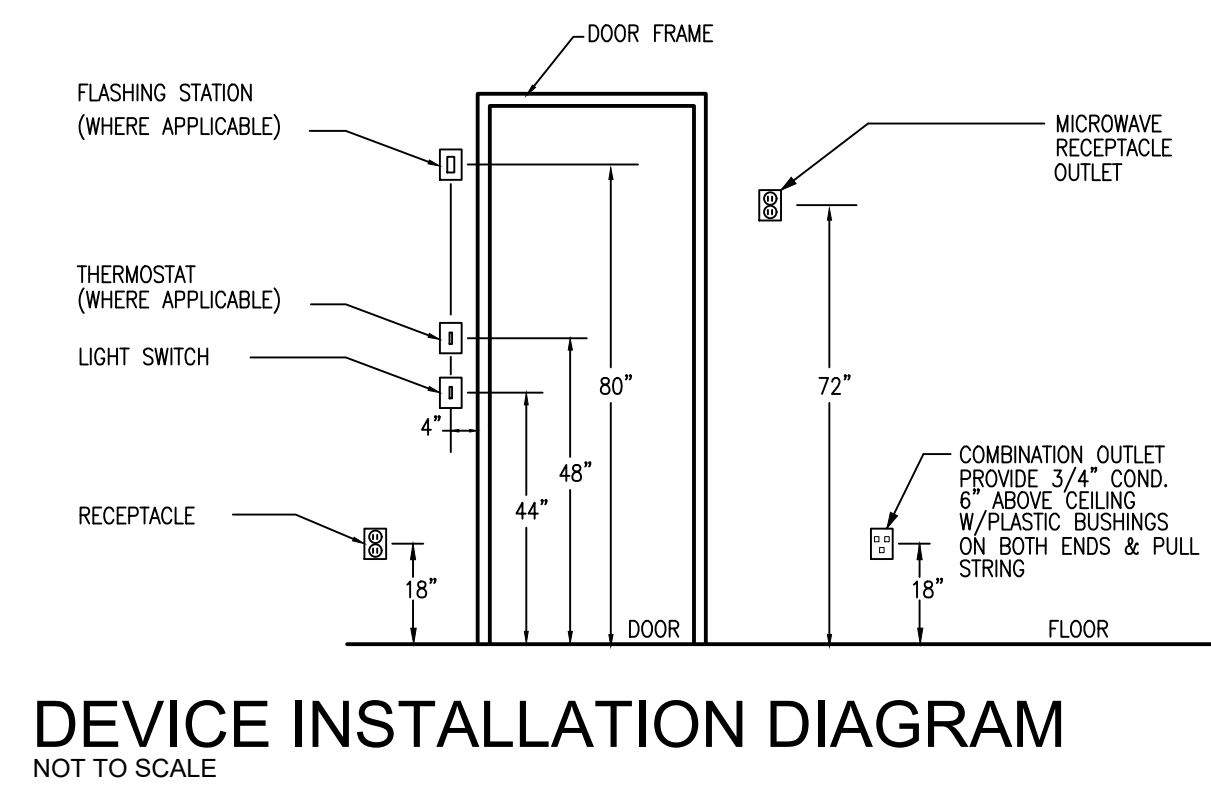


LEGEND	
	DUPLEX RECEPTACLE AT 18" A.F.F. U.O.N.
	DUPLEX RECEPTACLE SPLIT CIRCUIT OR AS INDICATED ON PLAN
	QUAD RECEPTACLE AT 18" A.F.F. U.O.N.
	240/208 RECEPTACLE 30 AMP OR LARGER
	240/208V RECEPTACLE 20 AMP
	SINGLE RECEPTACLE 20 AMP
	FLOOR FLUSH MOUNTED DUPLEX RECEPTACLE
	SWITCH
	THREE WAY SWITCH
	THREE WAY DIMMER SWITCH
	DIMMER SWITCH
	TIMER SWITCH (30 MIN. MAX.)
	BUZZER W/ TRANSFORMER
	FLOOR MOUNTED DATA/PHONE RECEPTACLE
	DATA/PHONE RECEPTACLE AT 18" AFF U.O.N.
	FAN MOTOR
	DISCONNECT SWITCH
	P.O.S. POINT OF SERVICE
	EMPTY CONDUIT FOR DATA
	4FT SUSPENDED FLUORESCENT FIXTURE WITH EMERG. BATTERY BACKUP
	2X4 FLUORESCENT OR LED FIXTURE WITH EMERG. BATTERY BACKUP
	2X2 FLUORESCENT FIXTURE
	2X2 FLUORESCENT FIXTURE WITH EMERG. BATTERY BACKUP
	HI-HAT FIXTURE
	WALL MOUNTED FIXTURE
	2'X2' AIR SUPPLY
	2'X2' AIR RETURN
	EXHAUST FAN OR REGISTER
	OTHER AIR SUPPLY
	OTHER AIR RETURN OR EXHAUST
	EXIT SIGN WITH EMERGENCY BACKUP



OCCUPANCY SENSOR SCHEDULE	
OS	OCCUPANCY SENSOR INTEGRATED W/SWITCH SET TO 30 MIN. MAX. SENSORSWITCH WSD PDT MULTI-TECHNOLOGY
OS	OCCUPANCY SENSOR TO CONTROL ALL LIGHTS IN THE ROOM (UNLESS OTHERWISE INDICATED) SET TO 30 MIN. MAX. SENSORSWITCH CM PDT 9 MULTI-TECHNOLOGY USE SENSORSWITCH CM PDT 10 FOR EXTENDED RANGE. PDT 10 NOTED ON PLAN

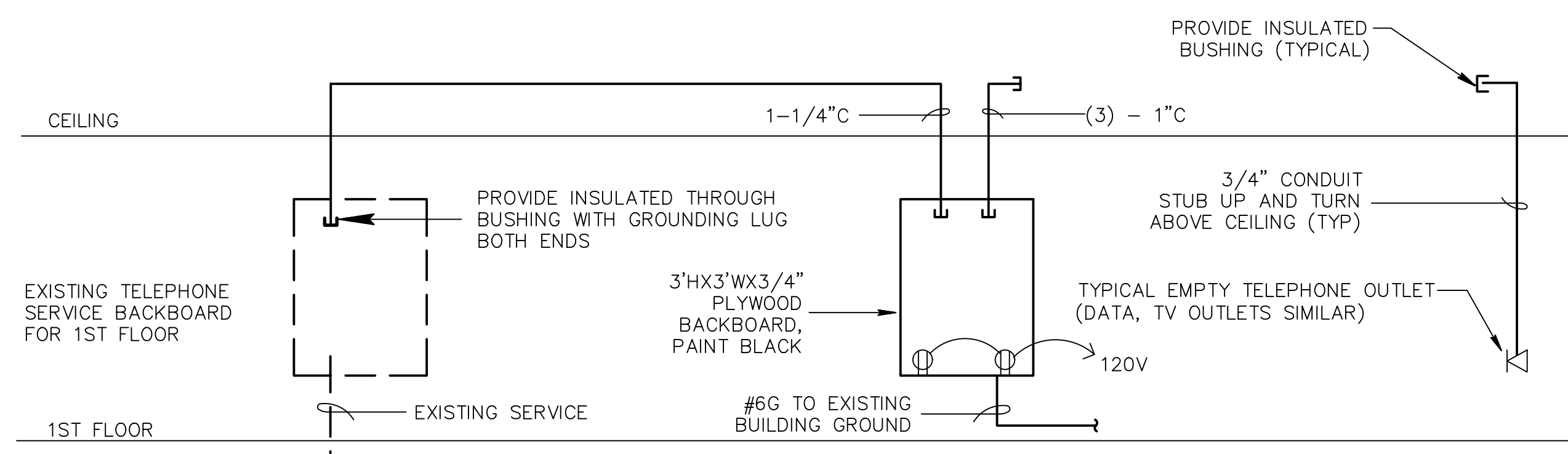
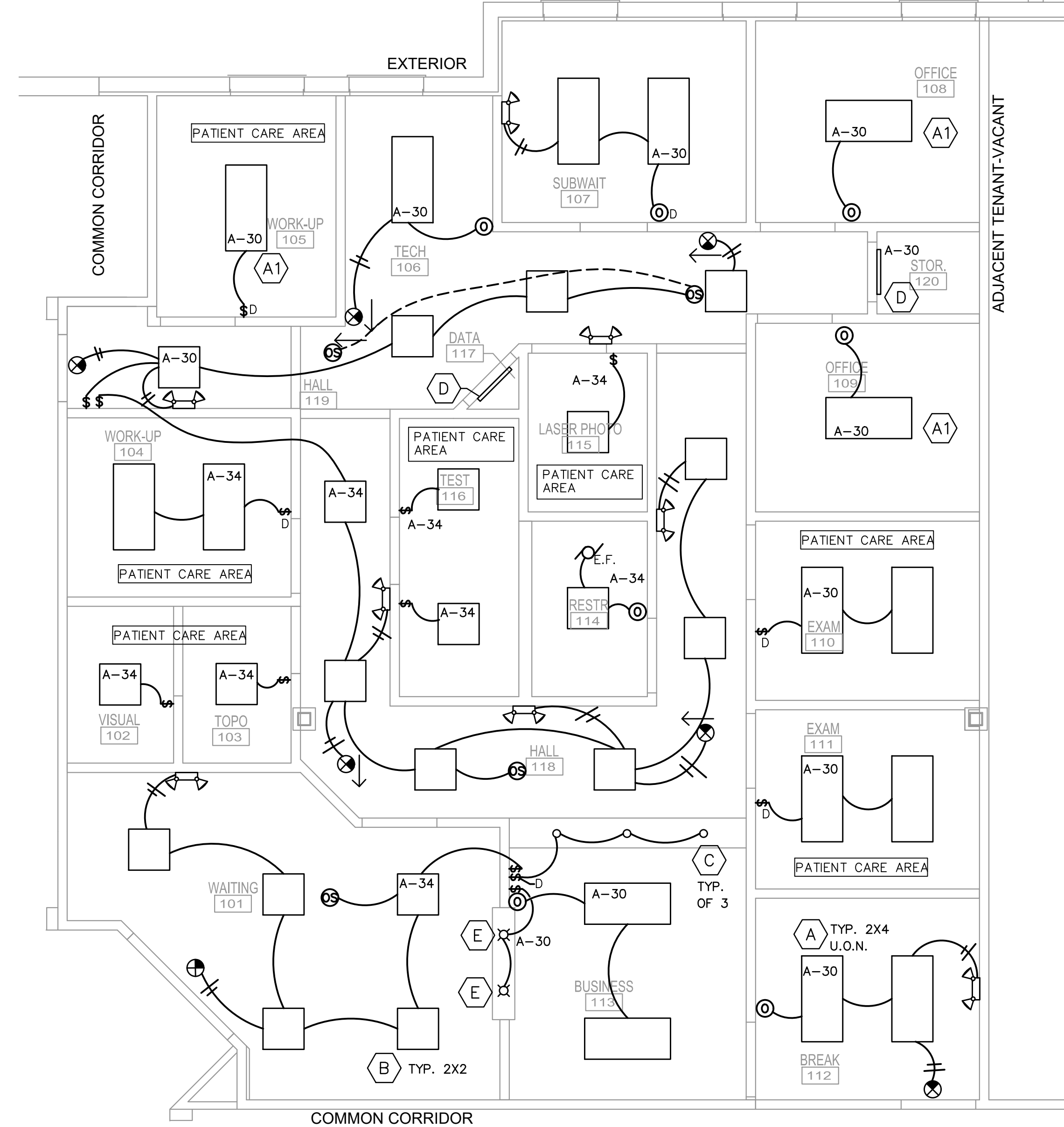
PLAN KEY NOTES:	
1	INTERLOCK EXHAUST FAN (120V) OPERATION W/AHU.
2	MOUNT SWITCH ON CABINETRY. SEE SHEET 4/A.5.1 VERIFY EXACT LOCATION WITH CLIENT.
3	THERMOSTATICALLY CONTROLLED EXHAUST FAN. PROVIDE THERMOSTAT.

GENERAL NOTES:	
1.	INCLUDE ALL ELECTRICAL AND MOUNTING ACCESSORIES, CONNECTORS, ETC.
2.	ARCHITECT TO VERIFY TRIM FINISH
3.	LENGTH IN INCHES PER PLAN
4.	DIMENSIONS ARE NOMINAL. CONTRACTOR TO VERIFY EXACT SIZE PRIOR TO FABRICATION.
5.	COORDINATE ALL LIGHTING WITH POWER & LIGHTING SYSTEMS, INC.
6.	PROVIDE ALL LIGHTING FIXTURES AS SPECIFIED. SUBSTITUTIONS WILL NOT BE ACCEPTED WITHOUT PRIOR APPROVAL FROM THE OWNER AND ARCHITECT.
7.	DO NOT USE COMBINATION EXIT / EMERGENCY LIGHTS.

LIGHTING COMPLIANCE :	WHOLE SUITE METHOD
AREA: 4617 SF	ALLOWED WATTS/ SF: 0.9
WATTS ALLOWED: 4155	WATTS PROVIDED: 2597

ELECTRICAL PLAN NOTES:	
1.	INCLUDE ALL ELECTRICAL AND MOUNTING ACCESSORIES, CONNECTORS, ETC
2.	PROVIDE ALL LIGHTING FIXTURES AS SPECIFIED. SUBSTITUTIONS WILL BE ACCEPTED WITHOUT PRIOR APPROVAL FROM THE OWNER OR ARCHITECT
3.	ALL EMERGENCY & EXIT LIGHTS SHALL BE WIRED AHEAD OF SWITCHES & OCCUPANCY SENSORS
4.	ALL RECEPTACLES, SWITCHES AND WIRING IN PATIENT CARE AREAS SHALL BE HOSPITAL GRADE. ALL WIRING IN PATIENT CARE AREAS INCLUDING WIRING OF EQUIPMENT SHALL COMPLY WITH NEC 517 & 517.13 (INSULATED REDUNDANT GROUND & GROUNDING RACEWAY)
5.	ALL LIGHTING CIRCUITS CONTAINING EMERGENCY & EXIT LIGHTS SHALL HAVE BREAKER LOCKS
6.	EMERGENCY LIGHTS & EXIST. SIGNS SHALL HAVE 90 MIN. BATTERY BACKUP
7.	LOCATION OF ALL ELECTRICAL BOXES MUST BE CONFIRMED WITH CLIENT & ARCHITECT PRIOR TO WIRING. MOUNT BOXES & CALL FOR WALL - THRU - NO EXCEPTION

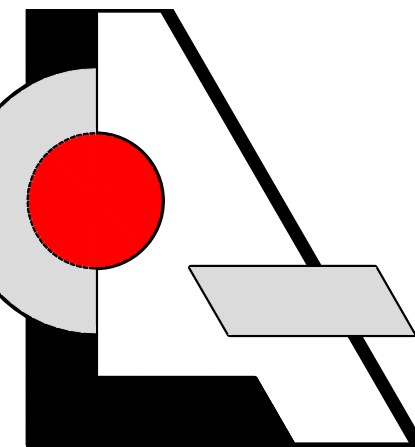
ALL RECEPTACLES, EQUIPMENT AND WIRING IN PATIENT CARE AREAS SHALL BE HOSPITAL GRADE. ALL WIRING IN PATIENT CARE AREAS INCLUDING WIRING OF EQUIPMENT SHALL COMPLY WITH NEC (INSULATED REDUNDANT GROUND & GROUNDING RACEWAY)



- NOTES
1. TELEPHONE AND DATA WIRING SHALL BE LISTED FOR USE ON ENVIRONMENTAL AIR SPACES IN CONFORMANCE WITH NEC ARTICLE 300-22(C)
 2. COORDINATE WORK WITH TELEPHONE CONTRACTOR/SUPPLIER.
 3. BACKBOARD LENGTH PER PHONE CONTRACTOR

LIGHTING FIXTURE SCHEDULE							
SYMBOL	TYPE	MOUNT	LAMP	VOLT	MANUFACTURER	CATALOG	REMARKS
A	2X4 LAY IN LED	GRID	LED 39.5W	MVOLT	LITHONIA	2FSL4-40L-MVOLT EZ1-LP840	DIMMABLE
A1	2X4 LAY IN LED	GRID	LED 52.4W	MVOLT	LITHONIA	2FSL4-60L-MVOLT EZ1-LP840	DIMMABLE
B	2X2 LAY IN LED	GRID	LED 34.7W	MVOLT	LITHONIA	2FSL2-33L-MVOLT EZ1-LP840	DIMMABLE
C	4" HI-HAT	RECESSED	LED 20W	120	ELITE/MAXILUME	HH4-LED-1200L-DIM10-120 MD-40K-85+4510-CL-WH-FR	DIMMABLE
D	UTILITY	SURFACE	LED 17.5W	MVOLT	LITHONIA	WL2-18L-EZ1-LP840 NESPD7	INTEGRAL OCCUPANCY SENSOR
E	DECORATIVE LED PENDANT	SURFACE	6w INTEGRAL LED	120	TECH LIGHTING	700-MLT-FJ-W-S-LED	
	EXIT LIGHT	SURFACE	1.44W LED		LITHONIA	ELM2-1/2-EL	2
	EXIT LIGHT	SURFACE	3.8W LED		DUAL LITE	EDGR-1-R-EL	1 2 GREEN

- 1 PROVIDE SINGLE OR DUAL FACE, WALL OR CEILING MOUNT, AS SHOWN ON PLANS. CONNECT FIXTURES TO UNSWITCHED HOT LEG OF CIRCUIT.
- 2 PROVIDE BATTERY/INVERTER BACKUP FOR 90 MINUTES IN ACCORDANCE WITH NFPA REQUIREMENTS. CONNECT FIXTURES TO UNSWITCHED HOT LEG OF CIRCUIT, PROVIDE MULTI-TAP BALLAST. ELECTRICAL CONTRACTOR SHALL ORDER FIXTURES WITHIN 5 DAYS OF BEING AWARDED PROJECT PROGRAM START BALLASTS SHALL BE ORDERED FOR ALL FIXTURES ON OCCUPANCY SENSORS ALL COLOR TEMPERATURES TO BE IN 41K RANGE



LCA AA 003432
Architecture, Inc.
1975 Sansbury's Way
Suite 108
West Palm Beach, FL 33411
Phone: (561) 493-4787
Fax: (561) 493-4786

REVISIONS / DATE

Interior Improvement for
Your Eye Specialists
550 Heritage Dr. Suite 105
Jupiter, FL 33458

LESLEW A. CZACZYK AIA

AR 00015391

PROJ. NO. 16176
DESIGNED BY LAC
DRAWN BY LAC
DATE 11/30/16
SCALE AS SHOWN

LIGHTING PLAN, RISERS, NOTES